

4

3

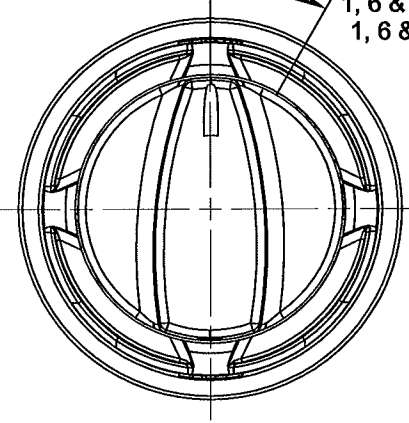
2

1

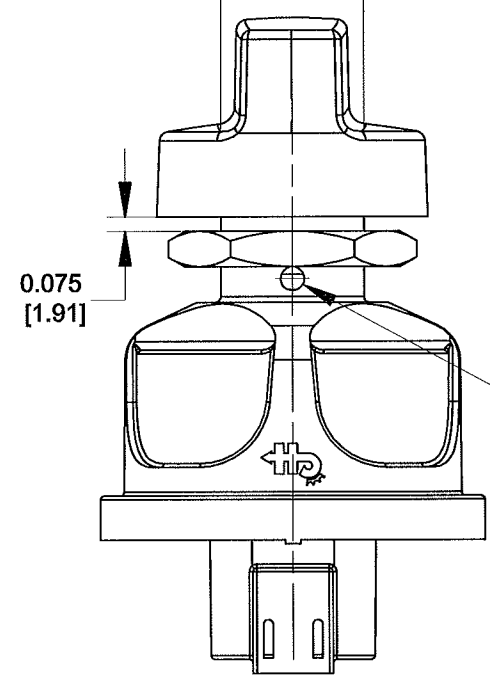
POS 1
OFF
1 & 6

POS 2
1, 6 & 3
1, 6 & 4, 5

30°



0.750 [19.05] FLAT



MOUNTING STEM, M22 x 1.5
FACE NUT, PLASTIC, BLACK
SHAFT, ZINC

HEX NUT, BRASS
HOUSING, PLASTIC, BLACK

HENCOL 13 SEAL
AROUND PERIMETER

CONNECTOR TO ACCEPT
DEUTSCH DT06-6S CONNECTOR
OR EQUIV

NOTE: THIS VIEW
SHOWS ASSEMBLY
WITHOUT THE KNOB

0.430 [10.92]

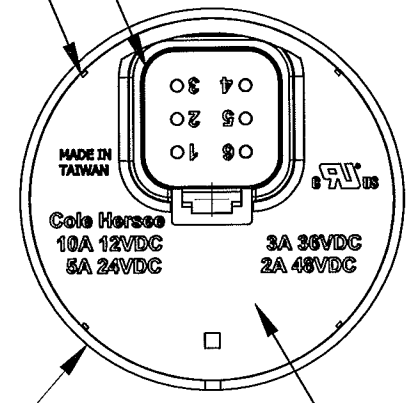
0.525 [13.34]

0.862 [21.88]

1.248 [31.69]

1.99 [50.55]

(B)



Ø2.011 [Ø51.07]

MARK PART NUMBER
& DATE CODE

NOTES:

1. TOLERANCES PLUS OR MINUS 0.015 [0.38]
2. CONTACT AREA SEALED TO IP67
3. BACK OF SWITCH SEALED WHEN MATING CONNECTOR IS INSTALLED
4. FOR RESISTIVE LOAD RATING SEE CHART OR BACK OF SWITCH
5. MATERIALS: HOUSING BLACK THERMOPLASTIC
INTERNAL STATIONARY CONTACTS COPPER
6. SWITCH TESTED TO SAE J259, UL RECOGNIZED TO UL 1054
7. IF THE APPLICATION MOUNTS THE SWITCH WITH THE LOCK CYLINDER OR LEVER APPROACHING VERTICAL, CONTACT THE FACTORY FOR AN APPLICATION REVIEW AND POTENTIAL ALTERNATE PRODUCTS BEFORE DESIGN IS SET.
8. SW. MUST NOT BREAK CIRCUIT OR BE DAMAGED IF TORQUED TO 15 IN-LBS [1.69Nm]

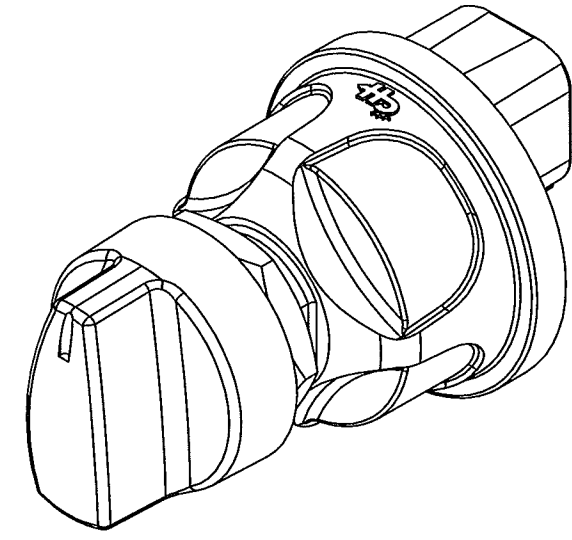
(B)

Ø0.860 [Ø21.84]

(B)

0.760 [19.30]

PANEL MOUNTING
HOLE DIM.



Revision Control Record

Rev.	Description of Change	ECN No.	Date
A	RELEASED TO PRODUCTION	12170	5/2/12
B	ADDED HENCOL 13	13178	6/28/13

Revision Control Record

Rev.	Description of Change	ECN No.	Date

Tolerances Unless otherwise specifically noted, the following are default tolerances;
 * 2-place Decimal Dimensions +/- .02"
 * 3-place Decimal Dimensions +/- .005"
 * Angular Dimensions +/- 1.0 Deg.
 * Metric: Refer to equivalent English Dimension Tolerance
 >>> NOTE: All tolerances are Non-Cumulative. <<<

Dimensional Units All dimensions are expressed in inches except those shown in brackets (xxx) are expressed in millimeters

"REF." or an Asterisk (*) = Non-Toleranced Reference Dimension, shown for clarification purposes only.

Used On or Ref.: Scale: 1:1

PROPRIETARY INFORMATION This Engineering Drawing, and the information contained herein, is proprietary to Cole Hersee Company and may not be disclosed, re-produced, or in any other way transferred or communicated to any other party without the express written consent of an authorized representative of Cole Hersee Company.

DESIGN CONTROL It is the responsibility of the individual using / referencing this drawing to assure that the noted design revision level agrees with the revision level of the Controlled Document (Master Drawing). This is a NON-CONTROLLED DOCUMENT unless otherwise specifically noted.

DO NOT SCALE - Dimensional variation may occur during printing / reproduction.

Drawn By: PMV Date Drawn: 5/2/12

Special Characteristics:

- CC Critical Characteristic, relating to Safety and/or Regulatory Compliance
 - X Significant Characteristic relating to Process Control (SPC)
 - KC Control Dimension relating to Form - Fit - Function as defined by Cole Hersee Company and/or the Customer
- (Note that the identification of any Characteristics as being "Special" does not alter the requirement that ALL specified dimensions & tolerances must be met.)
- Responsible Engineer: JT

Cole Hersee Co.
 20 Old Colony Ave., South Boston, MA, 02127
 Phn: 617-268-2100 Web: www.colehersee.com

Description:
SW, ROT, 2POS, KNOB

Drawing / Part No.: **95062-17** Current Rev. **B**

4

3

2

1