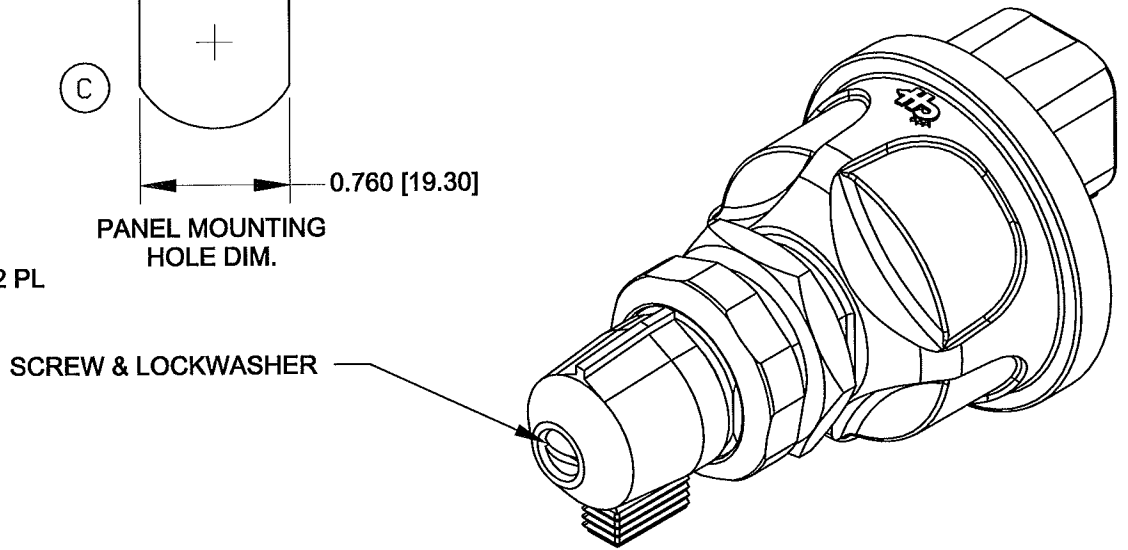
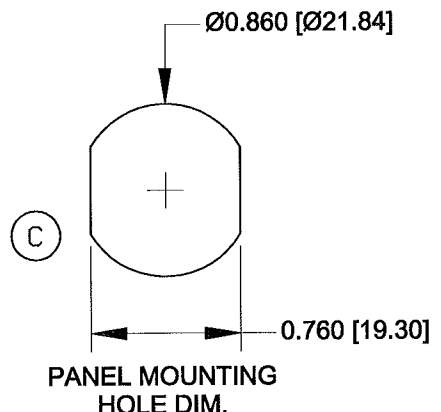
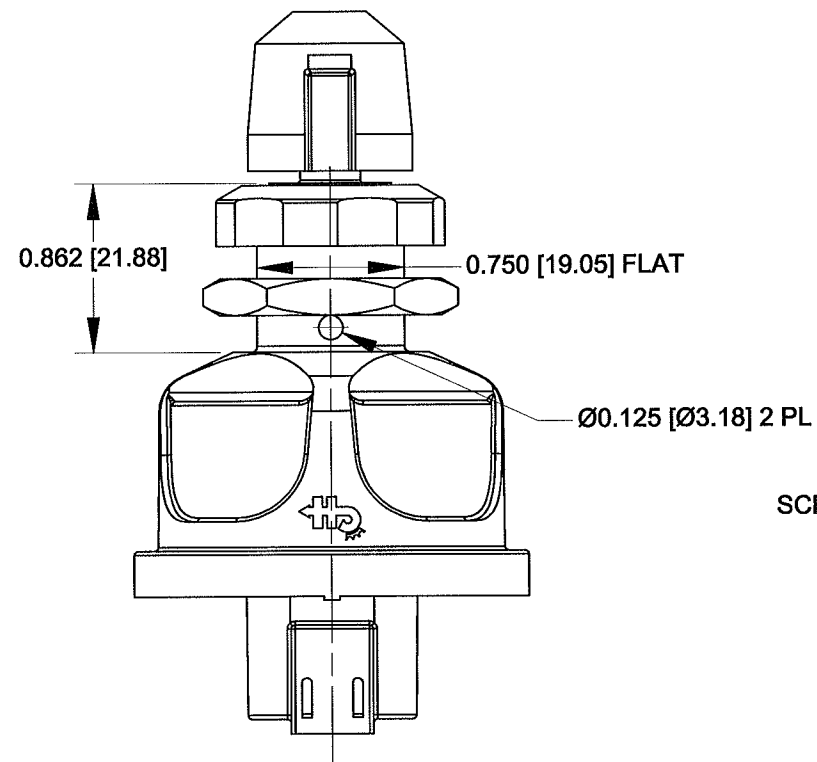
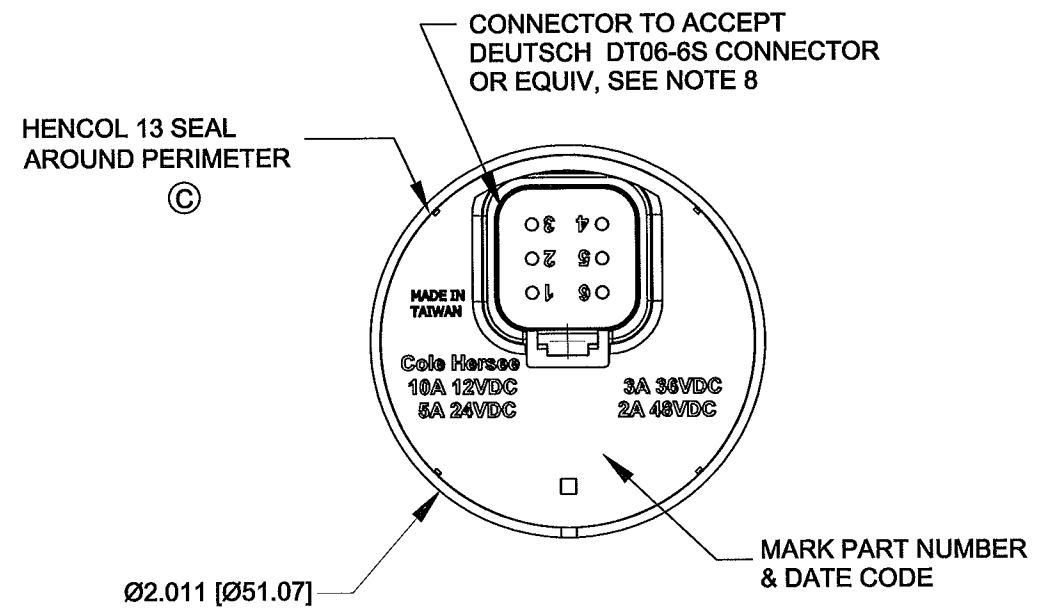
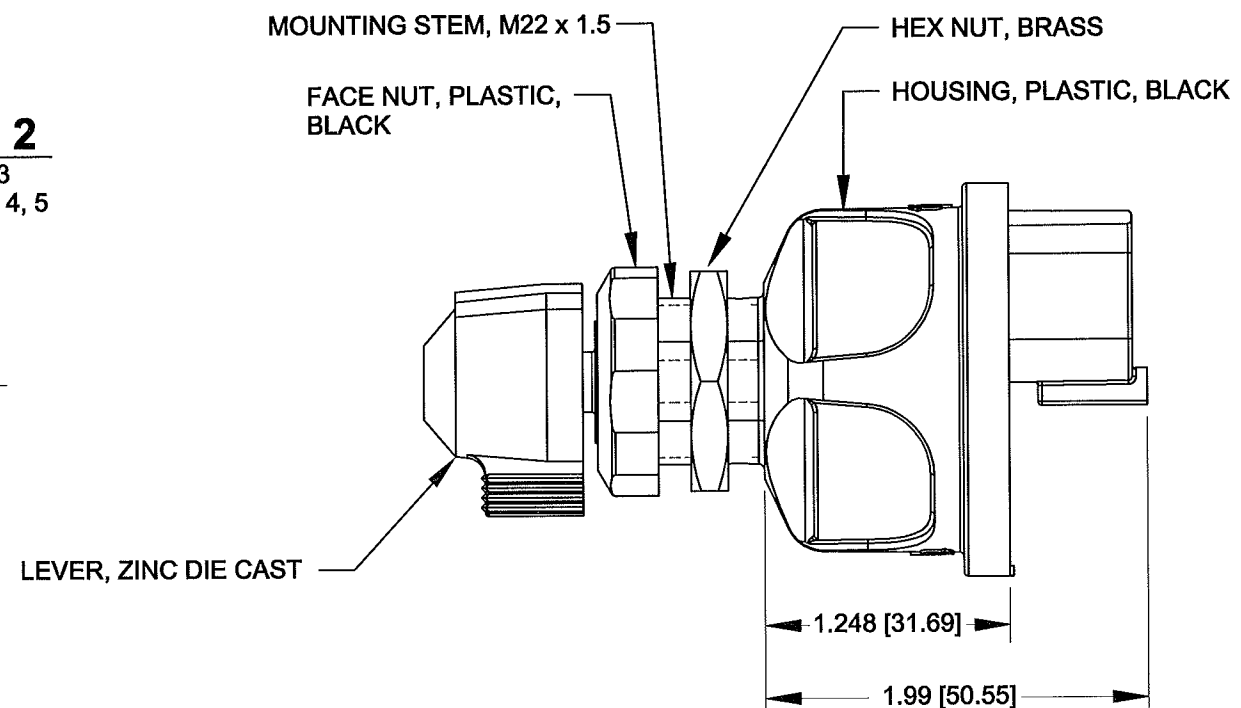
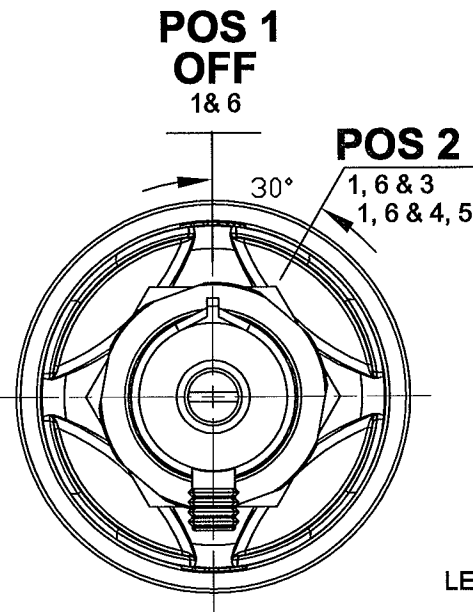


4

3

2

1



- NOTES:
1. TOLERANCES PLUS OR MINUS 0.015 [0.38]
  2. CONTACT AREA SEALED TO IP67
  3. BACK OF SWITCH SEALED WHEN MATING CONNECTOR IS INSTALLED
  4. FOR RESISTIVE LOAD RATING SEE CHART OR BACK OF SWITCH
  5. FOR PIN LOCATIONS SEE CHART
  6. MATERIALS: HOUSING BLACK THERMOPLASTIC  
INTERNAL STATIONARY CONTACTS COPPER
  7. SWITCH TESTED TO SAE J259.
  8. ALSO MATES WITH COLE HERSEE'S 31101 CONNECTOR ASSEMBLY
  9. IF THE APPLICATION MOUNTS THE SWITCH WITH THE LOCK CYLINDER OR LEVER APPROACHING VERTICAL, CONTACT THE FACTORY FOR AN APPLICATION REVIEW AND POTENTIAL ALTERNATE PRODUCTS BEFORE DESIGN IS SET.
  10. SW. MUST NOT BREAK CIRCUIT OR BE DAMAGED IF TORQUED TO 15 IN-LBS [ 1.69Nm]

PIN NUMBER	CIRCUIT	12VDC RESISTIVE LOAD
2	NOT USED	
3	ACCESSORY	10 AMPS
4 & 5	IGNITION	10 AMPS
1 & 6	BATTERY	

PINS 1 & 6 CONNECTED TOGETHER INTERNALLY  
PINS 4 & 5 CONNECTED TOGETHER INTERNALLY

Revision Control Record				Rev.	Description of Change	ECN No.	Date
A	RELEASED DRAWING	11179	5/31/11				
B	ADDED MADE IN TAIWAN	11215	7/15/11				
C	ADDED HENCOL 13	13181	6/17/13				

Tolerances Unless otherwise specifically noted, the following are default tolerances:  
**2-places +/- 0.02"**    **3-places +/- 0.005"**    **Angular +/- 1'**  
 Metric: Shown in [ ] refers to equivalent English Dim Tol  
 "REF." or an Asterisk (\*) = Non-Toleranced Reference Dimension, shown for clarification purposes only.  
 NOTE: All tolerances are Non-Cumulative.

**PROPRIETARY INFORMATION**  
 This Engineering Drawing, and the information contained herein, is proprietary to Cole Hersee Company and may not be disclosed, re-produced, or in any other way transferred or communicated to any other party without the express written consent of an authorized representative of Cole Hersee Company.

**Special Characteristics:**  
 CC Critical Characteristic, relating to Safety and/or Regulatory Compliance  
 X Significant Characteristic relating to Process Control  
 KC Control Dimension relating to Form - Fit - Function as defined by Cole Hersee Company and/or the Customer

**Cole Hersee Co.**  
 20 Old Colony Ave., South Boston, MA, 02127  
 Phn: 617-268-2100 Web: www.colehersee.com

**Description:** **SW,ROT,IGN,PLSTC**

**Drawing / Part No.:** **95061-07**    **Current Rev. C**

FORM CHT-6 (2/07)    Used On or Ref.: **95060-07**

Scale: 1:1

Drawn BY: **DPS**

Date Drawn: **4/15/11**

Pg. 1 of 1

4

3

2

1