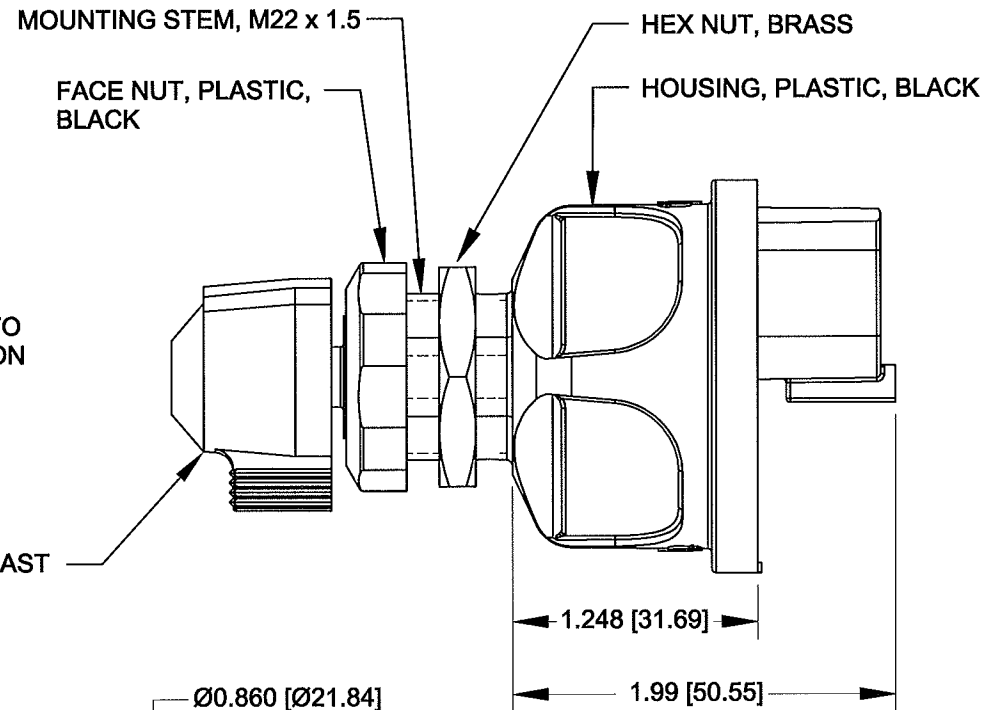
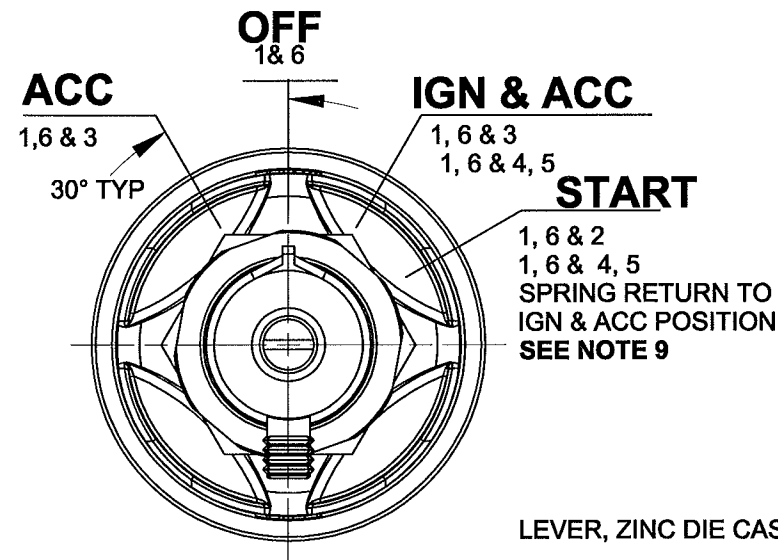


4

3

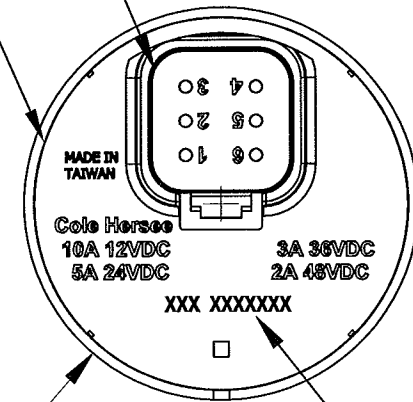
2

1



HENCOL 13 SEAL AROUND PERIMETER (C)

CONNECTOR TO ACCEPT DEUTSCH DT06-6S CONNECTOR OR EQUIV, SEE NOTE 8

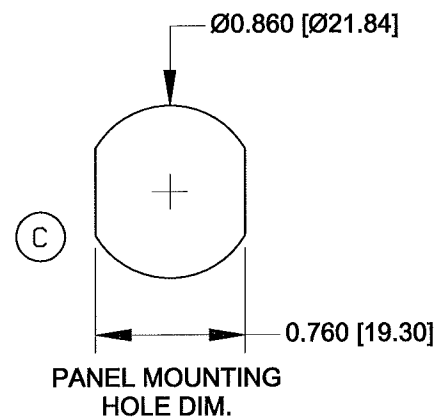
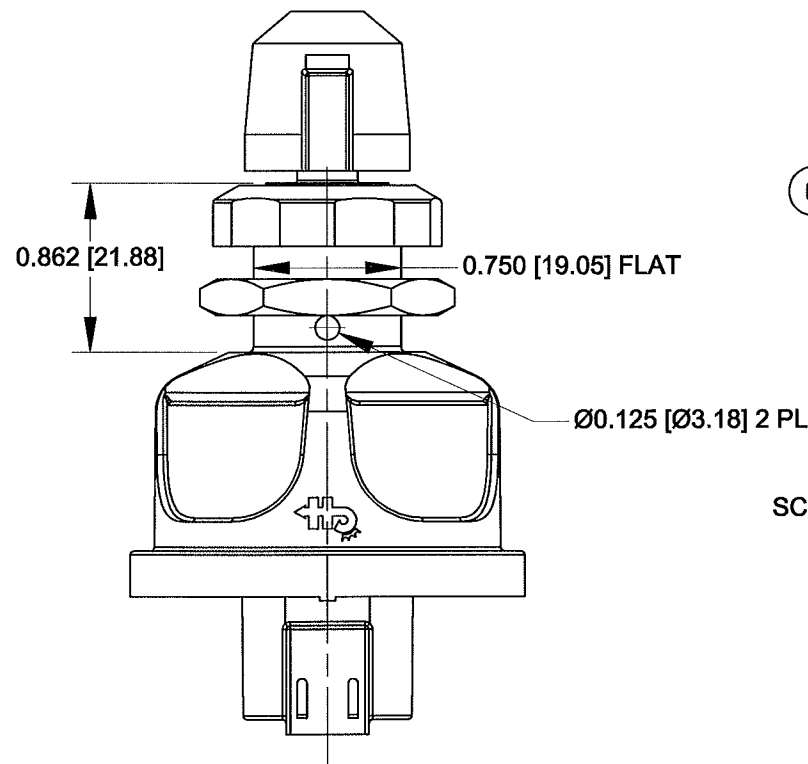


Ø2.011 [Ø51.07]

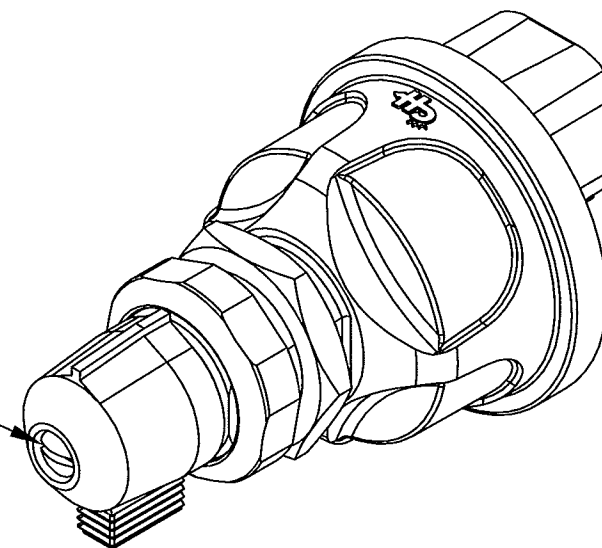
DATE CODE; SEE NOTE 10 FOR PART NUMBER (B)

NOTES:

- TOLERANCES PLUS OR MINUS 0.015 [0.38]
- CONTACT AREA SEALED TO IP67
- BACK OF SWITCH SEALED WHEN MATING CONNECTOR IS INSTALLED
- FOR RESISTIVE LOAD RATING SEE CHART OR BACK OF SWITCH
- FOR PIN LOCATIONS SEE CHART
- MATERIALS: HOUSING BLACK THERMOPLASTIC
ALL INTERNAL CONTACTS: COPPER
- SWITCH TESTED TO SAE J259.
- SWITCH MATES WITH COLE HERSEE'S 31101 CONNECTOR ASSEMBLY
- START LOCKOUT FEATURE: SWITCH MUST GO TO "OFF" POSITION BEFORE THE START CIRCUIT CAN BE RE-ENERGIZED.
- 95061-01 IS SAME AS 95061-101 EXCEPT ADDED LEVER.
- SW. MUST NOT BREAK CIRCUIT OR BE DAMAGED IF TORQUED TO 15 IN-LBS [1.69Nm]
- IF THE APPLICATION MOUNTS THE SWITCH WITH THE LOCK CYLINDER OR LEVER APPROACHING VERTICAL, CONTACT THE FACTORY FOR AN APPLICATION REVIEW AND POTENTIAL ALTERNATE PRODUCTS BEFORE DESIGN IS SET.



SCREW & LOCKWASHER



PIN NUMBER	CIRCUIT	12VDC RESISTIVE LOAD
2	START	5 AMPS
3	ACCESSORY	10 AMPS
4 & 5	IGNITION	10 AMPS
1 & 6	BATTERY	

PINS 1 & 6 CONNECTED TOGETHER INTERNALLY
PINS 4 & 5 CONNECTED TOGETHER INTERNALLY

Revision Control Record

Rev.	Description of Change	ECN No.	Date
A	RELEASED DRAWING	12177	05/02/12
B	DRAWING CORRECTION	13095	03/20/13
C	ADDED HENCOL 13; ADDED TORQUE NOTE	13179	06/04/13

Tolerances Unless otherwise specifically noted, the following are default tolerances:

2-places +/- 0.02" 3-places +/- 0.005" Angular +/- 1

Metric: Shown in [] refers to equivalent English Dim Tol
"REF." or an Asterisk (*) = Non-Toleranced Reference Dimension, shown for clarification purposes only.

NOTE: All tolerances are Non-Cumulative.

PROPRIETARY INFORMATION

This Engineering Drawing, and the information contained herein, is proprietary to Cole Hersee Company and may not be disclosed, re-produced, or in any other way transferred or communicated to any other party without the express written consent of an authorized representative of Cole Hersee Company.

Special Characteristics:

(CC) Critical Characteristic, relating to Safety and/or Regulatory Compliance

(X) Significant Characteristic relating to Process Control

(KC) Control Dimension relating to Form - Fit - Function as defined by Cole Hersee Company and/or the Customer



Cole Hersee Co.

20 Old Colony Ave., South Boston, MA, 02127
Phn: 617-268-2100 Web: www.colehersee.com

Description: SW, ROT, LEVER, ANTI-RESTART

Drawing / Part No.: 95061-01

Current Rev. C

FORM CHT-6 (2/07) Used On or Ref.:

Scale: 1:1

Drawn BY: G. Auguste

Date Drawn: 3/20/13

Pg. 1 of 1

4

3

2

1