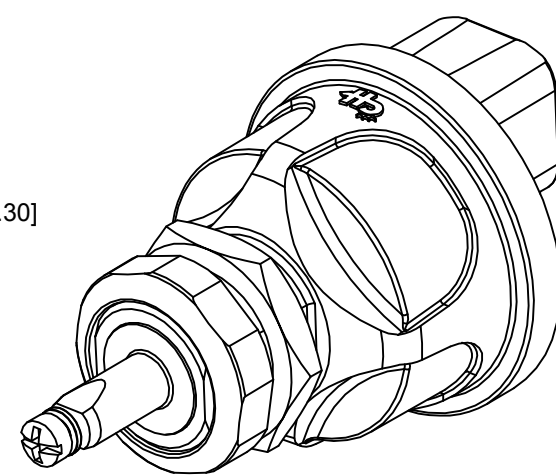
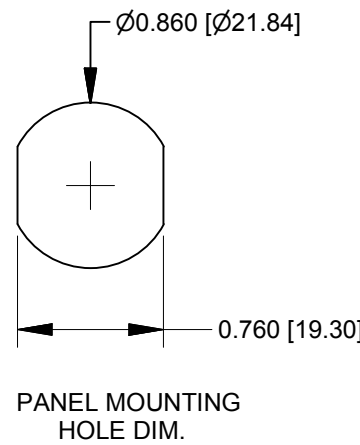
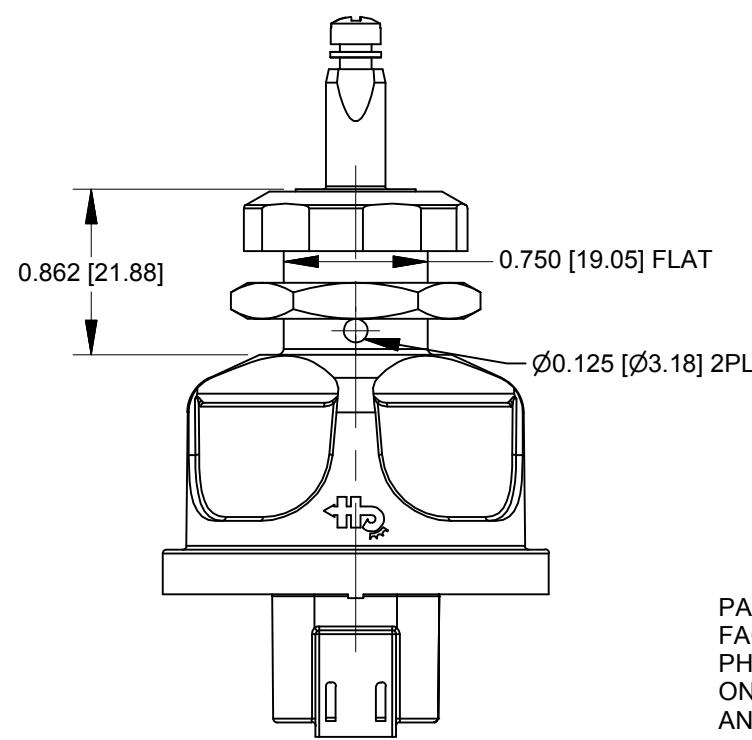
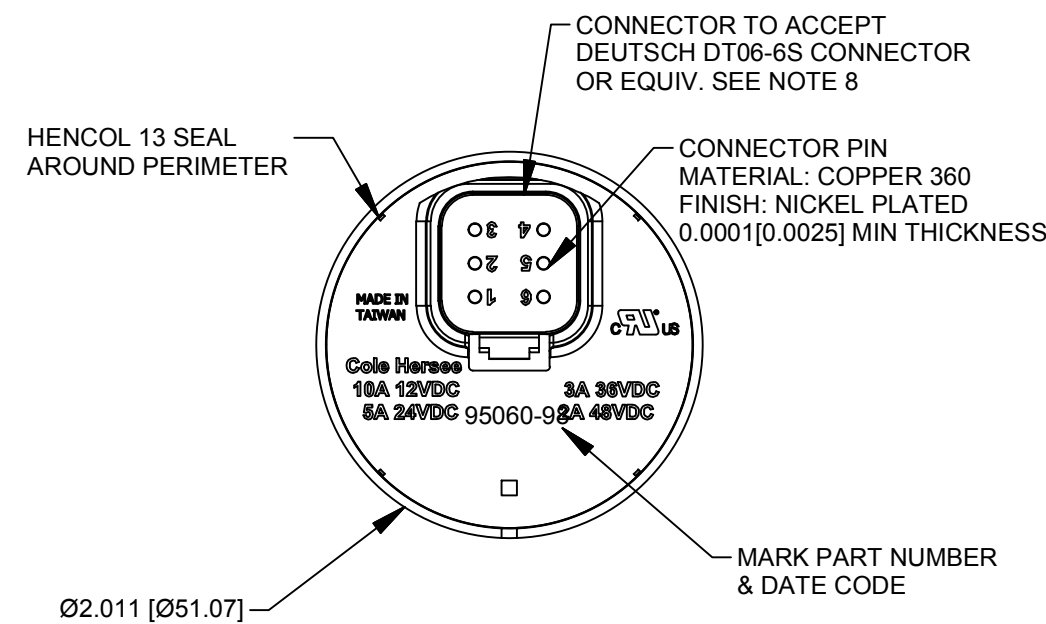
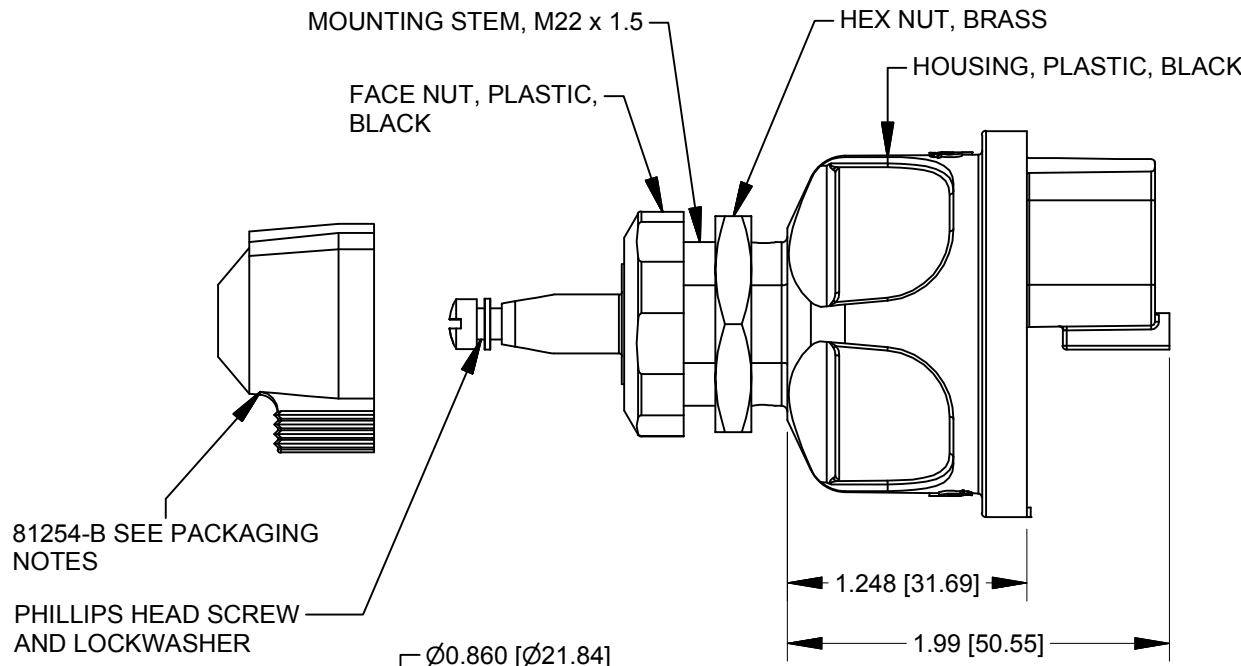
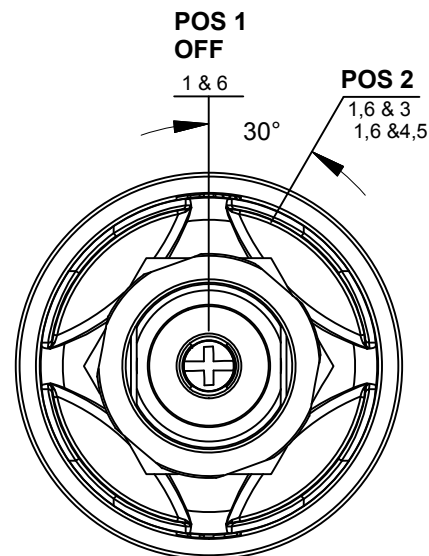


4

3

2

1



- NOTES:
1. TOLERANCES PLUS OR MINUS 0.015 [0.38]
  2. CONTACT AREA SEALED TO IP67
  3. BACK OF SWITCH SEALED WHEN MATING CONNECTOR IS INSTALLED
  4. FOR RESISTIVE LOAD RATING SEE CHART OR BACK OF SWITCH
  5. FOR PIN LOCATIONS SEE CHART
  6. MATERIALS: HOUSING BLACK THERMOPLASTIC  
INTERNAL STATIONARY CONTACTS COPPER
  7. SWITCH TESTED TO SAE J259.
  8. ALSO MATES WITH LITTELFUSE'S 31101 CONNECTOR ASSEMBLY
  9. IF THE APPLICATION MOUNTS THE SWITCH WITH THE LEVER APPROACHING VERTICAL, CONTACT THE FACTORY FOR AN APPLICATION REVIEW AND POTENTIAL ALTERNATE PRODUCTS BEFORE DESIGN IS SET.
  10. SW. MUST NOT BREAK CIRCUIT OR BE DAMAGED IF TORQUED TO 15 IN-LBS [ 1.69Nm]

PACKAGING NOTE:  
FACE NUT, AND M22 HEX NUT ARE INSTALLED ON SWITCH.  
PHILLIPS SCREW AND LOCKWASHER ARE INSTALLED FINGER TIGHT ON SWITCH SHAFT . CHROME LEVER IS PACKAGED WITH SWITCH.  
AND SHIPPED IN A PLASTIC BAG.

PIN NUMBER	CIRCUIT	12VDC RESISTIVE LOAD
2	NOT USED	
3	ACCESSORY	10 AMPS
4 & 5	IGNITION	10 AMPS
1 & 6	BATTERY	
PINS 1 & 6 CONNECTED TOGETHER INTERNALLY		
PINS 4 & 5 CONNECTED TOGETHER INTERNALLY		

Revision Control Record				Rev.	Description of Change	ECN No.	Date	Note: unless noted otherwise all dimension are AFTER plating Tolerances Unless otherwise specifically noted, the following are default tolerances; <b>2-places</b> <b>3-places</b> <b>Angular</b> <b>+/- 0.02"[0.50]</b> <b>+/- 0.005"[0.13]</b> <b>+/- 1'</b> Unless otherwise specified dimensions are in inches Dimensions in brackets [ ] are in millimeters "REF" = Non-Toleranced Reference Dimension, shown for clarification purposes only. NOTE: All tolerances are Non-Cumulative.	PROPRIETARY INFORMATION All information contained herein, is proprietary to the Cole Hersee Company. Unauthorized use or reproduction is prohibited.	Special Characteristics: CC Critical Characteristic, relating to Safety and/or Regulatory Compliance X Significant Characteristic relating to Process Control KC Control Dimension relating to Form - Fit - Function as defined by Cole Hersee Company and/or the Customer	Description: <b>SW,ROT,IGN,PLSTC</b>	Drawing / Part No.: <b>95060-98</b>	Current Rev. <b>B</b>
Rev.	Description of Change	ECN No.	Date										
A	NEW RELEASE	15031	10/16/15										
B	CHANGE LEVER	16318	08/25/16										
FORM CHT-6 (1/12) Used On or Ref.: <b>EX29233A</b>								Scale: <b>1:1</b>	Drawn By: <b>CM</b>	Date Drawn: <b>07/29/15</b>	<b>Pg.1 of 1</b>		

4

3

2

1