

4

3

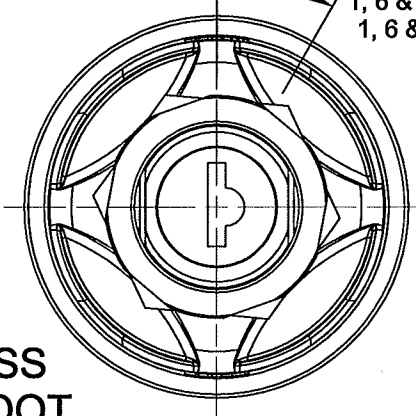
2

1

POS 1  
OFF  
1 & 6

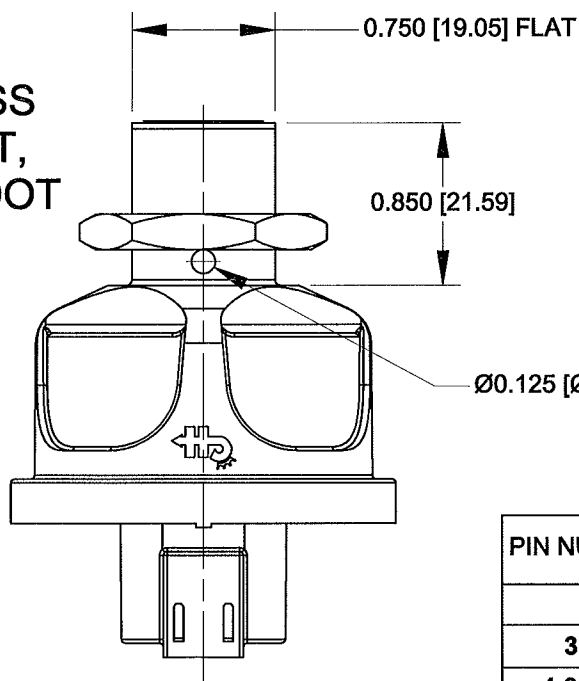
POS 2  
1, 6 & 3  
1, 6 & 4, 5

30°



VIEW LESS  
KEY & BOOT

VIEW LESS  
FACE NUT,  
KEY & BOOT



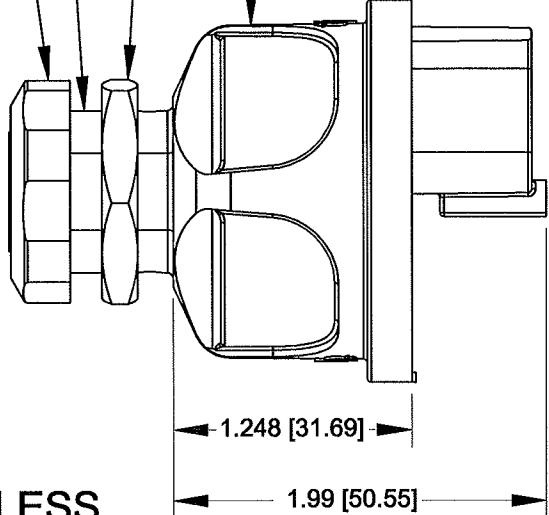
PIN NUMBER	CIRCUIT	12VDC RESISTIVE LOAD
3	ACCESSORY	10 AMPS
4 & 5	IGNITION	10 AMPS
1 & 6	BATTERY	

PINS 1 & 6 CONNECTED TOGETHER INTERNALLY  
PINS 4 & 5 CONNECTED TOGETHER INTERNALLY

MOUNTING STEM, M22 x 1.5  
FACE NUT, PLASTIC, BLACK, NOTES 7 & 9  
HEX NUT, BRASS  
HOUSING, PLASTIC, BLACK  
NOTE 9

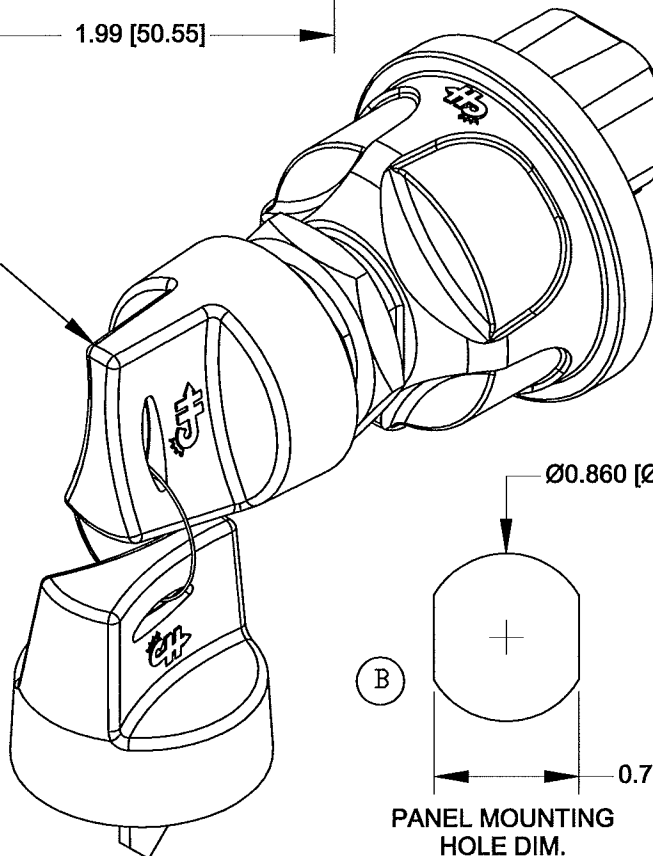
(B)

(B)



VIEW LESS  
KEY & BOOT

2 DOUBLE BITTED BOOTED KEYS RINGED, BLACK, NOTE 7



(B)

(B)

PANEL MOUNTING HOLE DIM.

CONNECTOR TO ACCEPT DEUTSCH DT06-6S CONNECTOR OR EQUIV

HENCOL #13 SEALANT ON PERIMETER

(B)

MADE IN TAIWAN

Cole Hersee  
10A 12VDC  
5A 24VDC

3A 35VDC  
2A 48VDC

Ø2.011 [Ø51.07]

MARK PART NUMBER & DATE CODE

NOTES:

- TOLERANCES PLUS OR MINUS 0.015 [0.38]
- CONTACT AREA SEALED TO IP67
- BACK OF SWITCH SEALED WHEN MATING CONNECTOR IS INSTALLED
- FOR RESISTIVE LOAD RATING SEE CHART OR BACK OF SWITCH
- KEY REMOVEABLE IN OFF POSITION ONLY
- MATERIALS: HOUSING BLACK THERMOPLASTIC  
INTERNAL STATIONARY CONTACTS COPPER
- KEY BOOT FITS OVER FACE NUT--SW COMES WITH MULTI KEY CODES.
- SWITCH TESTED TO SAE J259
- UV RESISTANT MATERIAL USED ON DRESS NUT AND HOUSING
- SW. MUST NOT BREAK CIRCUIT OR BE DAMAGED IF KEY IS TORQUED TO 15 IN-LBS [1.69 Nm].
- IF THE APPLICATION MOUNTS THE SWITCH WITH THE LOCK CYLINDER OR LEVER APPROACHING VERTICAL, CONTACT THE FACTORY FOR AN APPLICATION REVIEW AND POTENTIAL ALTERNATE PRODUCTS BEFORE DESIGN IS SET.

Revision Control Record

Revision Control Record

Tolerances Unless otherwise specifically noted, the following are default tolerances:  
• 2-place Decimal Dimensions +/- .02"  
• 3-place Decimal Dimensions +/- .005"  
• Angular Dimensions +/- 1.0 Deg.  
• Metric: Refer to equivalent English Dimension Tolerance  
>>> NOTE: All tolerances are Non-Cumulative. <<<

Dimensional Units All dimensions are expressed in inches except those shown in brackets (xxx) are expressed in millimeters

"REF." or an Asterisk (\*) = Non-Toleranced Reference Dimension, shown for clarification purposes only.

Used On EX28124 or Ref.:

Scale: 1:1

PROPRIETARY INFORMATION This Engineering Drawing, and the information contained herein, is proprietary to Cole Hersee Company and may not be disclosed, re-produced, or in any other way transferred or communicated to any other party without the express written consent of an authorized representative of Cole Hersee Company.

DESIGN CONTROL It is the responsibility of the individual using / referencing this drawing to assure that the noted design revision level agrees with the revision level of the Controlled Document (Master Drawing). This is a NON-CONTROLLED DOCUMENT unless otherwise specifically noted.

DO NOT SCALE - Dimensional variation may occur during printing / reproduction.

Special Characteristics:

CC Critical Characteristic, relating to Safety and/or Regulatory Compliance

X Significant Characteristic relating to Process Control (SPC)

KC Control Dimension relating to Form - Fit - Function as defined by Cole Hersee Company and/or the Customer

(Note that the identification of any Characteristics as being "Special" does not alter the requirement that ALL specified dimensions & tolerances must be met.)



Cole Hersee Co.

20 Old Colony Ave., South Boston, MA, 02127  
Phn: 617-268-2100 Web: www.colehersee.com

Description:

SW, ROT, 2POS, PLSTC

Drawing / Part No.:

95060-53

Current Rev.:

B

4

3

2

1