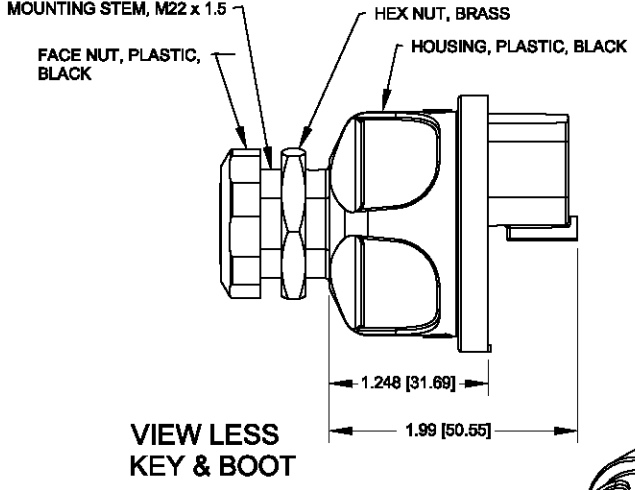
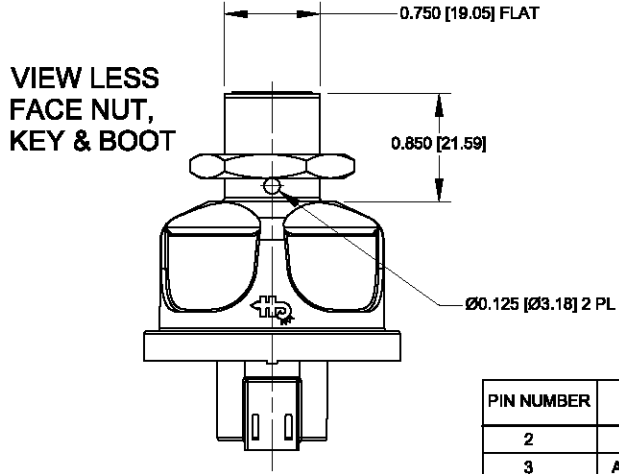
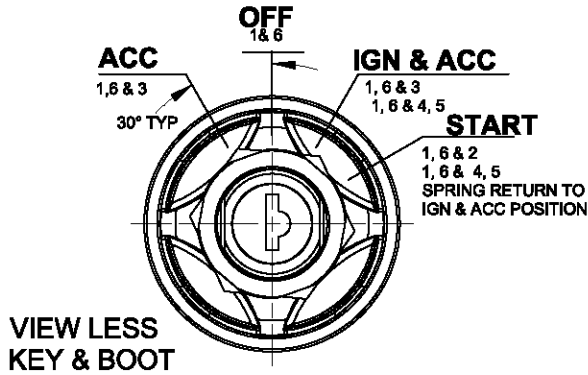


4

3

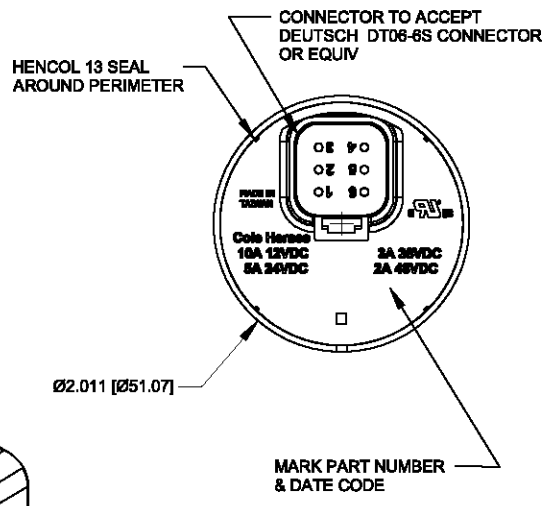
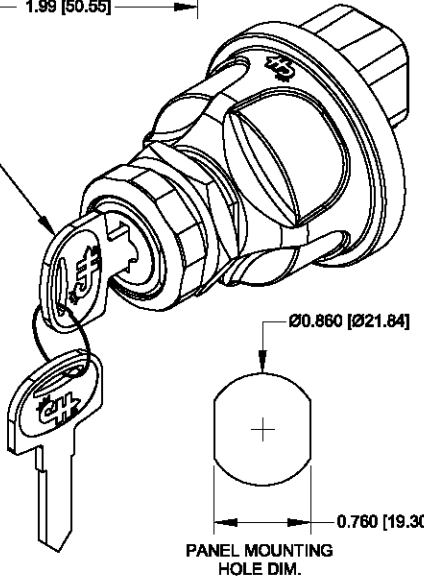
2

1



2 DOUBLE BITTED KEYS RINGED (KEY CODE 701) SEE NOTE 10

(A)



PIN NUMBER	CIRCUIT	12VDC RESISTIVE LOAD
2	START	5 AMPS
3	ACCESSORY	10 AMPS
4 & 5	IGNITION	10 AMPS
1 & 6	BATTERY	

PINS 1 & 6 CONNECTED TOGETHER INTERNALLY
PINS 4 & 5 CONNECTED TOGETHER INTERNALLY

- NOTES:
1. TOLERANCES PLUS OR MINUS 0.015 [0.38]
 2. CONTACT AREA SEALED TO IP67
 3. BACK OF SWITCH SEALED WHEN MATING CONNECTOR IS INSTALLED
 4. FOR RESISTIVE LOAD RATING SEE CHART OR BACK OF SWITCH
 5. KEY REMOVEABLE IN OFF POSITION ONLY
 6. PIN LOCATIONS SEE CHART
 7. MATERIALS: HOUSING BLACK THERMOPLASTIC
INTERNAL STATIONARY CONTACTS COPPER
 8. SWITCH TESTED TO SAE J259, UL RECOGNIZED TO UL 1054
 9. SWITCH SUPPLIED WITH SINGLE KEY CODE 701
 10. SW. MUST NOT BREAK CIRCUIT OR BE DAMAGED IF TORQUED TO 15 IN-LBS [1.69Nm]
 11. IF THE APPLICATION MOUNTS THE SWITCH WITH THE LOCK CYLINDER OR LEVER APPROACHING VERTICAL, CONTACT THE FACTORY FOR AN APPLICATION REVIEW AND POTENTIAL ALTERNATE PRODUCTS BEFORE DESIGN IS SET.

Revision Control Record				Rev.	Description of Change	ECN No.	Date	<p>Note: unless noted otherwise all dimension are AFTER plating Tolerances: Unless otherwise specifically noted, the following are default tolerances;</p> <p>2-places ± 0.02 [0.5] 3-places ± 0.005 [0.13] Angular ± 1'</p> <p>Unless otherwise specified dimensions are in inches. Dimensions in brackets [] are in millimeters.</p> <p>"REF" = Non-Toleranced Reference Dimension, shown for clarification purposes only.</p> <p>Note: All tolerances are Non-Cumulative.</p>	<p>PROPRIETARY INFORMATION</p> <p>All information contained herein, is proprietary to the Cole Hersee Company. Unauthorized use or reproduction is prohibited.</p>	<p>Special Characteristics:</p> <p>CC Critical Characteristic, relating to Safety and/or Regulatory Compliance</p> <p>X Significant Characteristic relating to Process Control</p> <p>KC Control Dimension relating to Form - FK - Function as defined by Cole Hersee Company and/or the Customer</p>	<p>Phn: 817-268-2100 Web: www.colehersee.com</p>					
Rev.	Description of Change	ECN No.	Date													
A	RELEASED DRAWING	11653	03/09/15					FORM CHT-8 (V12)	Used On or Ref: EX29215 , 95060-23	Scale: 1:1	Drawn By: CM	Date Drawn: 03/03/15	Pg. 1 of 1	Description: SW, ROT, 4POS, PLSTC	Drawing / Part No.: 95060-48	Current Rev.: B
B	REMOVE NOTE	11803	04/17/15													

4

3

2

1