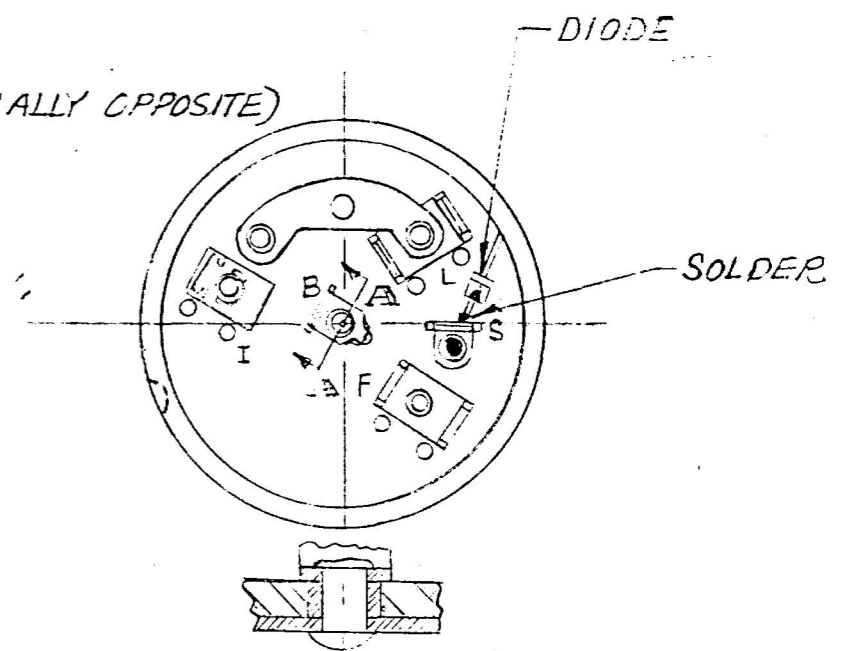
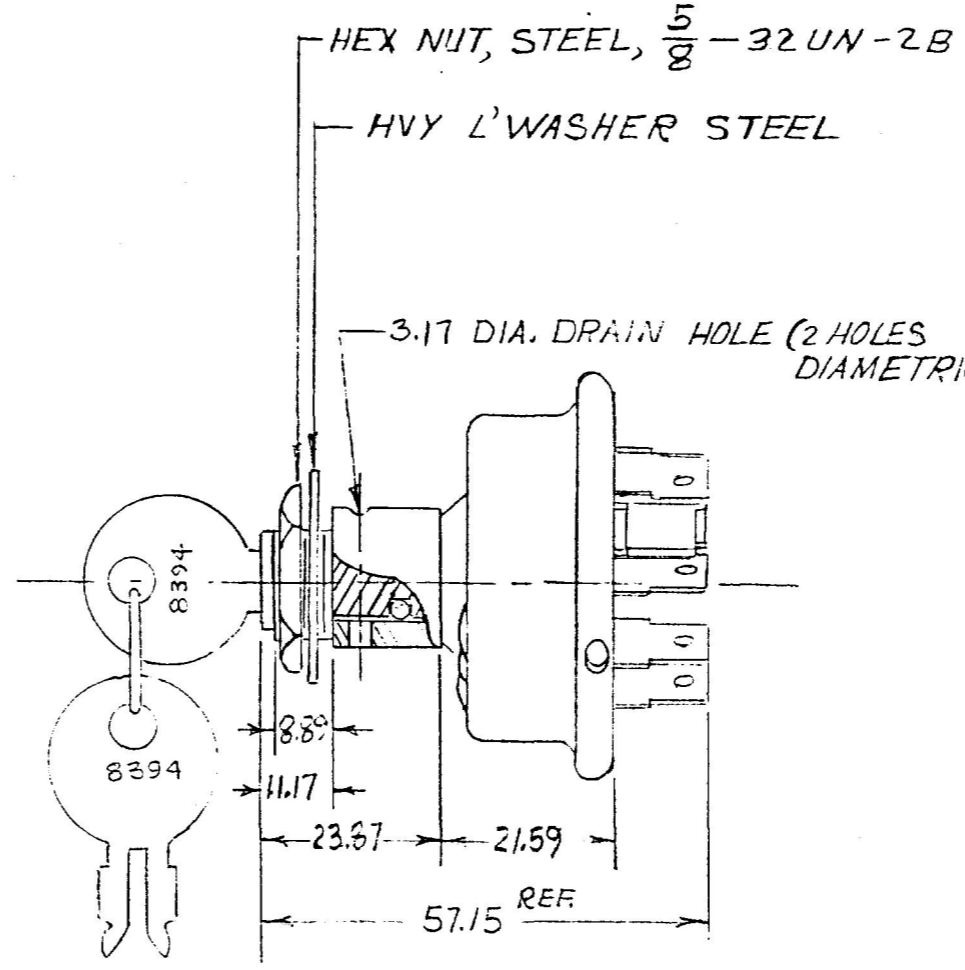
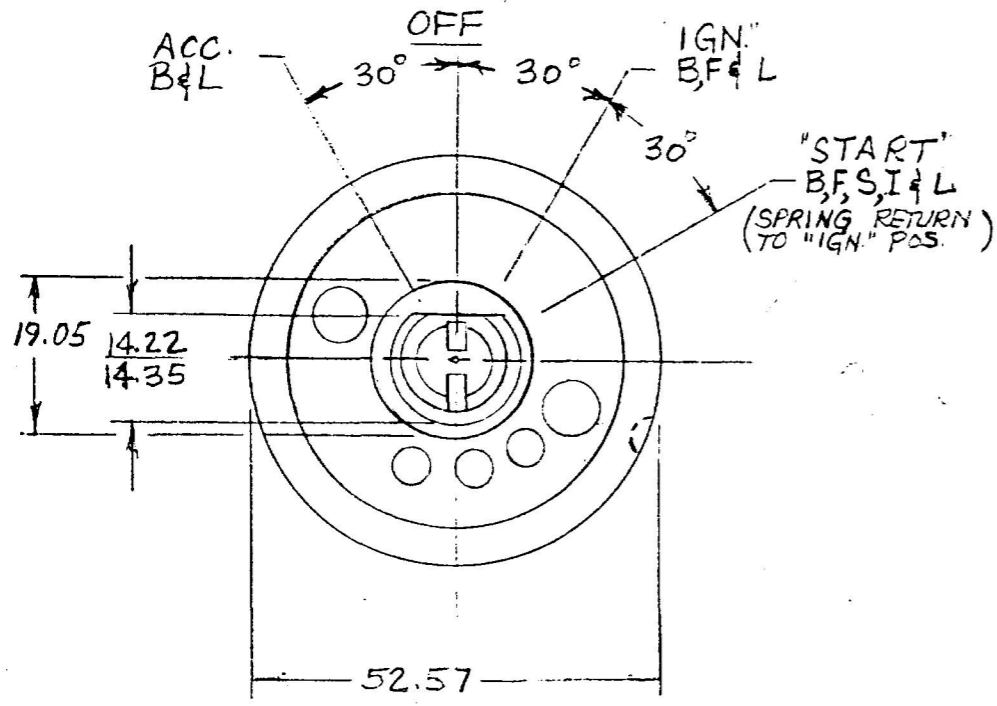


MM.	IN.
0.25	.010
3.17	.125
6.35	.250
12.7	.500
19.05	.750
25.4	1.000
31.75	1.250
38.1	1.500
44.45	1.750
50.8	2.000
57.15	2.250

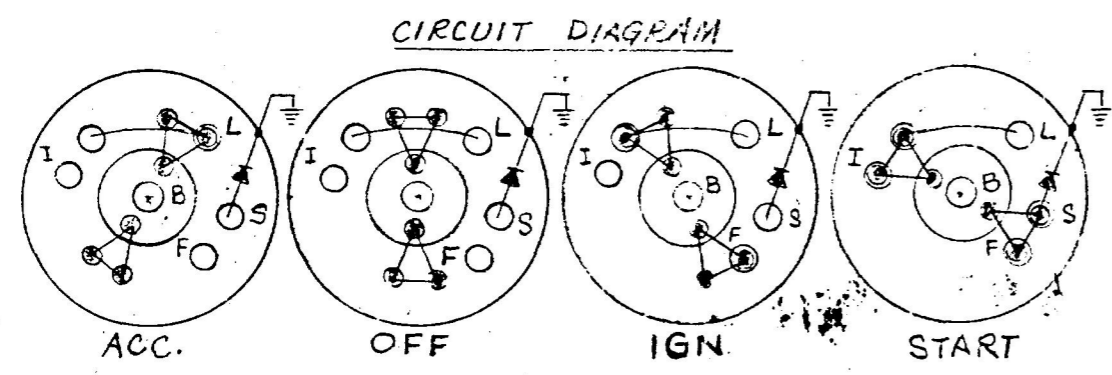
APPLICABLE SAE STANDARD OR RECOMMENDED PRACTICE SAE J259

95037

COLE-HERSEE CO. NPM 4-7-65 EX 13918



SECTION A-A FOR POSITIVE GROUND ONLY (CASE GROUND SIDE OF SWITCH)



- NOTES:
1. Ⓞ DENOTES SILVER LAM. RIVET
  2. MELAMINE LINER
  3. ALL SHOULDER RIVETS
  4. ALL TERMINALS BRASS
  5. FOR TO RMP 12 VOLT LOAD FROM 'B' TO 'S'
  6. 'O' RING SEALED AT MTG BUSHING
  7. ALL STEEL PARTS PLATED.

METRIC

LEGEND	
I	IGNITION (FULL VOLTAGE)
L	LIGHT SWITCH
B	BATTERY
S	START
F	FUEL & IGN. (THRU EXTERNAL RESISTANCE)

LET	WAS	DATE	BY	LET	WAS	DATE	BY	MATERIAL	DRWN	CHECKED	APPR'D.	SCALE	DO NOT SCALE	
													DATE DRAWN	3-23-65
													DATE BLUEPRINT	
										<b>COLE-HERSEE COMPANY</b>				
										JSTON, MASS. 02127, U.S.A.				
										TOLERANCES FRACTIONAL DECIMAL			IGNITION & START SW.	
										D 21NC/252 34 4/20/67			95037	
										C REDRAWN J-257				