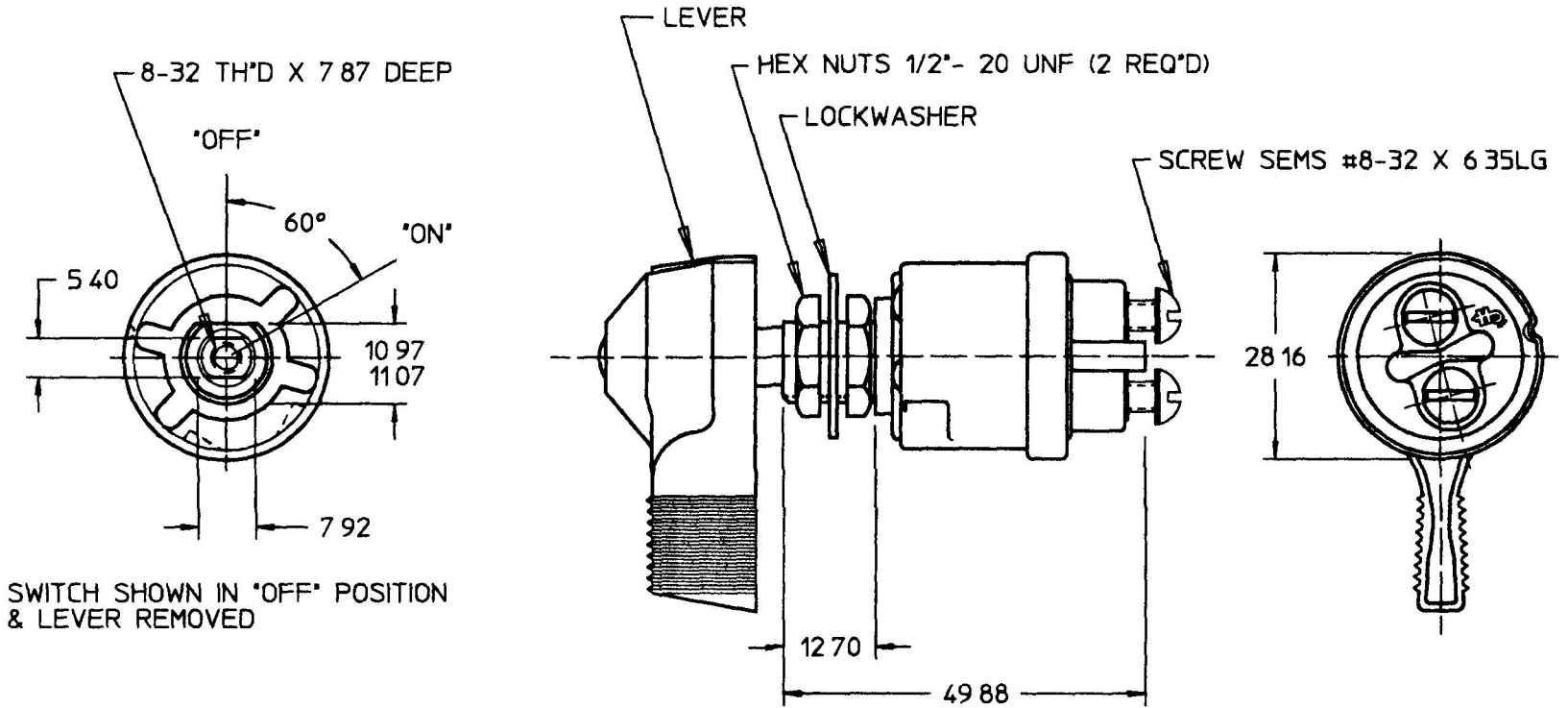


9500-04

| MM | IN |
|-------|-------|
| 5 40 | 0 213 |
| 7 92 | 0 312 |
| 10 97 | 0 432 |
| 11 07 | 0 436 |
| 12 70 | 0 500 |
| 28 16 | 1 109 |
| 49 88 | 1 963 |



METRIC

FOR MARINE TYPE, SEE #M-497

- NOTES
- 10 AMPS @ 12 VDC
 - ALL STEEL PARTS PLATED
 - O RING SEAL IN BUSHING

DO NOT SCALE

| LET | WAS | DATE | BY | LET | WAS | DATE | BY | MATERIAL | DRAWN | CHK | APVD | SCALE | | DATE DRAWN |
|-----|-----|------|----|-----|--------|---------|----|------------------------------------|--|-----|------|--------------------------------------|------------------|------------|
| | | | | | | | | | DL | AF | | 11 | EX26248-A | 5/7/96 |
| | | | | | | | | FINISH | Cole Hersee Co. 20 OLD COLONY AVENUE, BOSTON, MA, U.S.A. 02127 | | | | DATE BLUEPRINTED | |
| | | | | | | | | TOLERANCES DECIMAL ± ANGLE ± | SW. IGNITION 2 POS. | | | | 9500-04 | |
| | | | | | ISSUED | 5/16/96 | AF | | | | | Confidential Property of Cole Hersee | | |