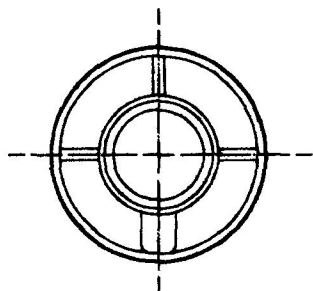
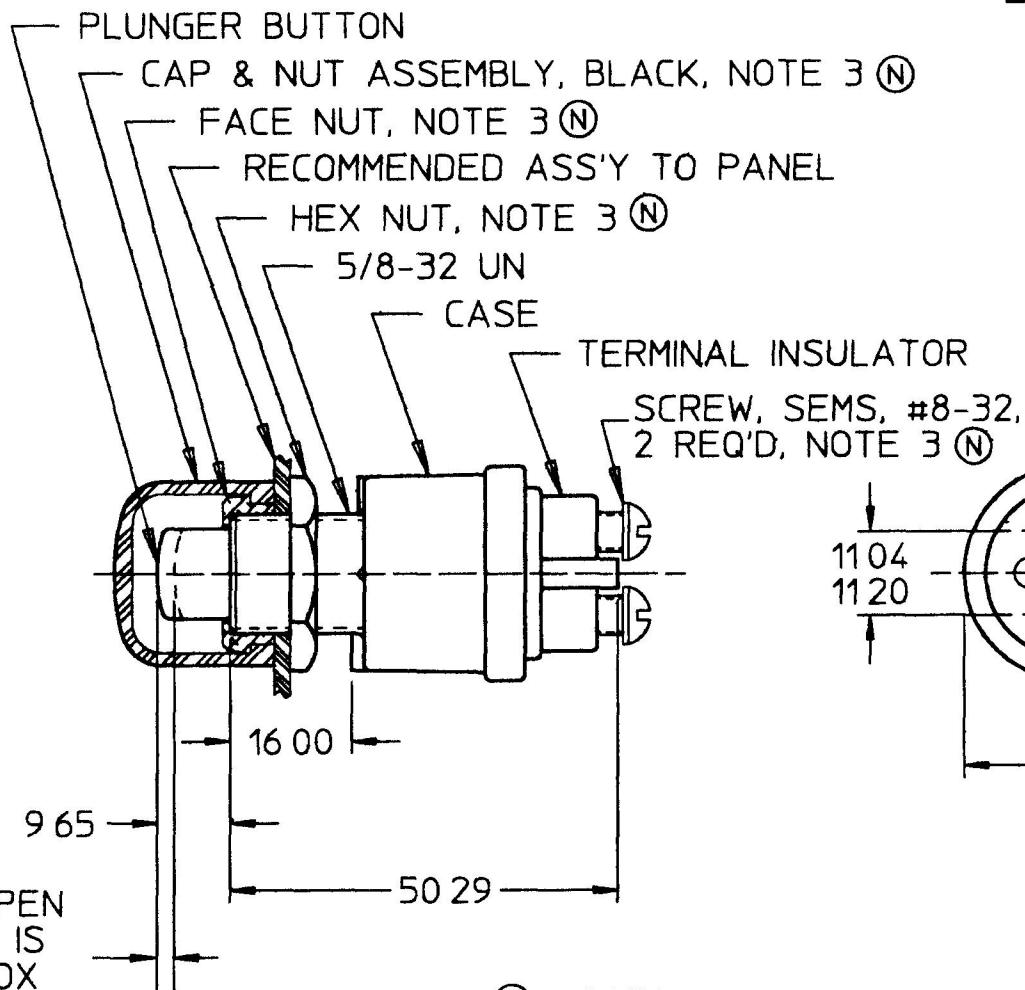


MM	IN
1 77 0	0 070
9 65 0	0 380
11 04 0	0 434
11 20 0	0 440
16 00 0	0 630
28 44 1	1 120
50 29 1	1 980



FRONT VIEW OF CASE

CONTACTS NORMALLY OPEN
CLOSED WHEN PLUNGER IS
DEPRESSED 1770 APPROX
AND THRU REMAINDER OF
TRAVEL

CURRENT RATING	
35 AMPS	12 VDC
20 AMPS	24 VDC

METRIC

- (P) NOTES
- 1 ALL STEEL PARTS PLATED
 - 2 SILVER CONTACT SURFACES
 - 3 PARTS MAYBE ASSEMBLED OR SUPPLIED IN A BAG

DO NOT SCALE

LET	WAS	DATE	BY	LET	WAS	DATE	BY	MATERIAL	DRAWN	CHK	APVD	SCALE	DATE DRAWN
									EA	jmf		11	11/2/59
								FINISH	Cole Hersee Co. 20 OLD COLONY AVENUE, BOSTON, MA, U.S.A. 02127				DATE BLUEPRINTED
				P	ECN #26813	7/16/97	AJS	TOLERANCES	SWITCH, MOM. NO 9245 Confidential Property of Cole Hersee				
				N	ECN #26688 PUT ON CAD	5/23/97	CHW	DECIMAL ± ANGLE ±					