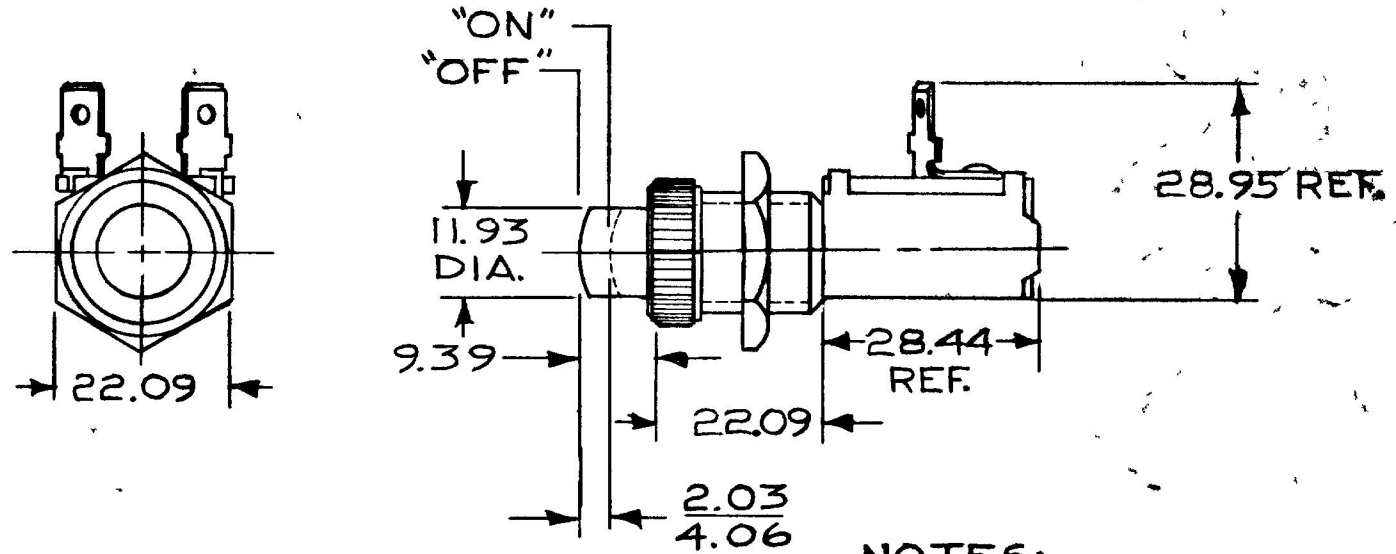
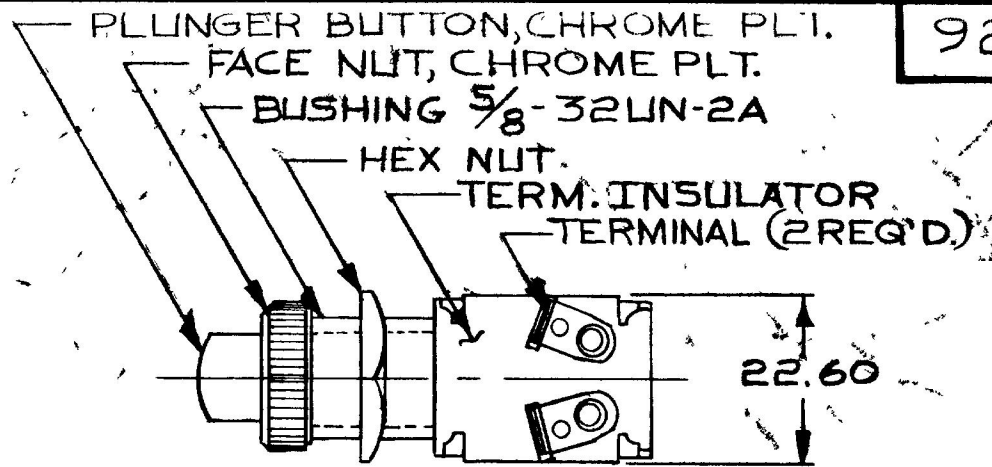


MM	IN
.25	.010
2.03	.080
4.06	.160
9.39	.370
11.93	.470
22.09	.870
22.60	.890
28.44	1.120
28.95	1.140

9238

9023  
(SCREW)



NOTES:  
1. ALL STEEL PARTS PLATED  
2. RATING: 10AMPS @ 12VOLTS

METRIC

DO NOT SCALE

LET	WAS	DATE	BY	LET	WAS	DATE	BY	MATERIAL	DRAWN	CHECKED	APPRV D	SCALE	DATE DRAWN
									JP	8-28-80		1:1	6-1-59
								FINISH	 <small>20 OLD COLONY AVENUE SOUTH BOSTON, MA U.S.A. 02127</small>				DATE BLUEPRINT
								TOLERANCES DECIMAL ± METRIC ±.25					NORMALLY "OFF" MOMENTARY SWITCH

CH-188(4-78)