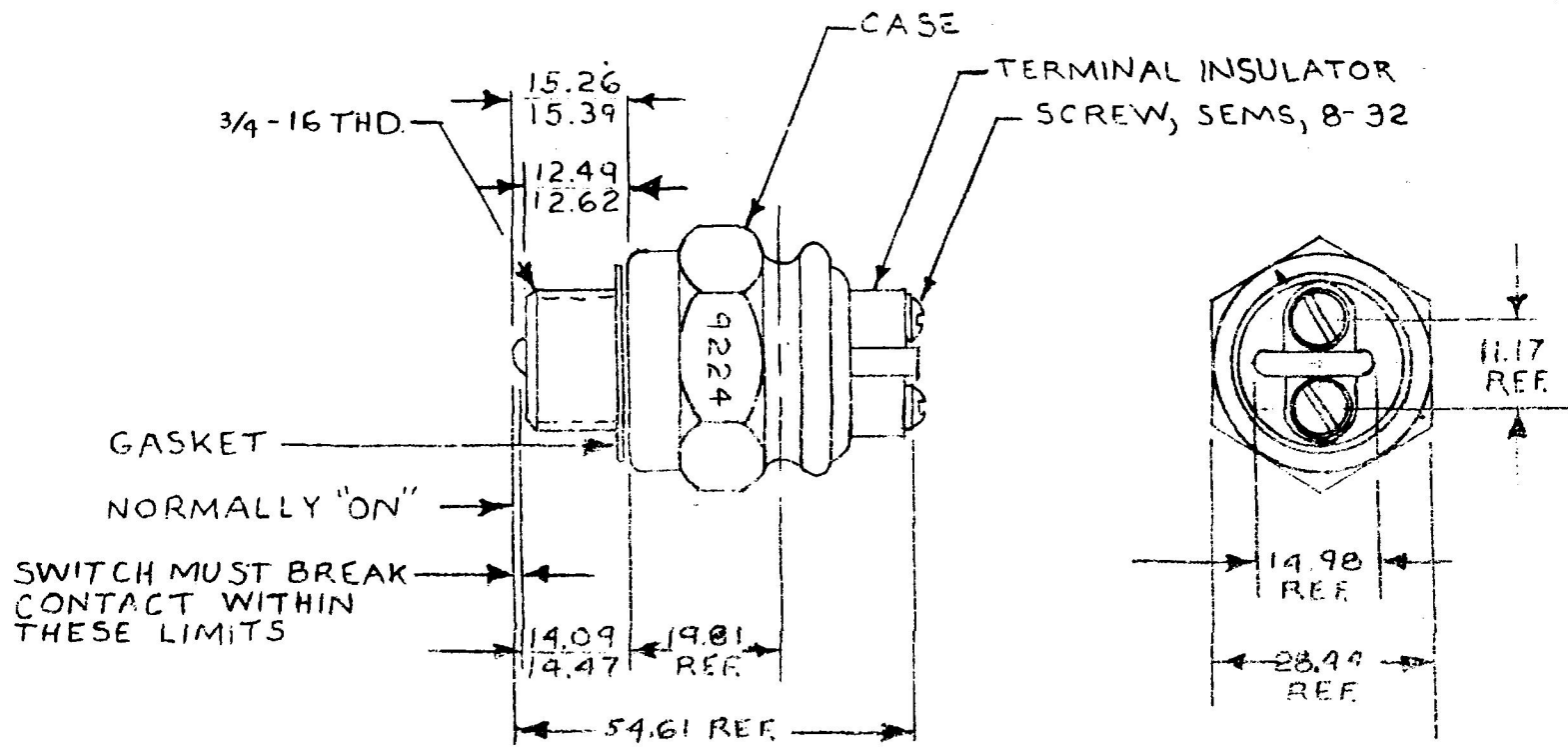


9224

MM IN
 11.17.440
 12.19.480
 12.49.492
 12.62.497
 14.09.555
 14.47.570
 14.98.590
 15.26.601
 15.39.606
 19.81.780
 28.44.1120
 54.61.2.150



- NOTES:
1. SILVERED CONTACT SURFACES.
 2. 22.24 - 31.13N [5-7 LBS.] SPRING PRESSURE AT CONTACT OPENING.
 3. ACTUATING BALL SHOULD NOT BE DEPRESSED IN USE BEYOND 12.19 FROM MOUNTING SURFACE.
 4. INSTALLATION TORQUE 54.23 Nm [40 FT. LBS.] MAX.
 5. SWITCH HOUSING SHALL BE CODE DATED AS TO WEEK & YEAR OF SWITCH MANUFACTURE.
 6. ALL STEEL PARTS PLATED
 7. RATING: 3 AMPS @ 24VDC
5 AMPS @ 12VDC

METRIC

DO NOT SCALE

| REV | DATE | BY | WAS | DATE | BY | MATERIAL | DRAWN | SCALE | DATE |
|-----|------|----|---------|---------|----|----------|------------------|-------|---------|
| | | | | | | | AA | 1:1 | 8-21-58 |
| | | | | | | | Cole Hersee Co. | | |
| | | R | REDRAWN | 9-13-58 | | | SWITCH, BALL, NO | | 9224 |