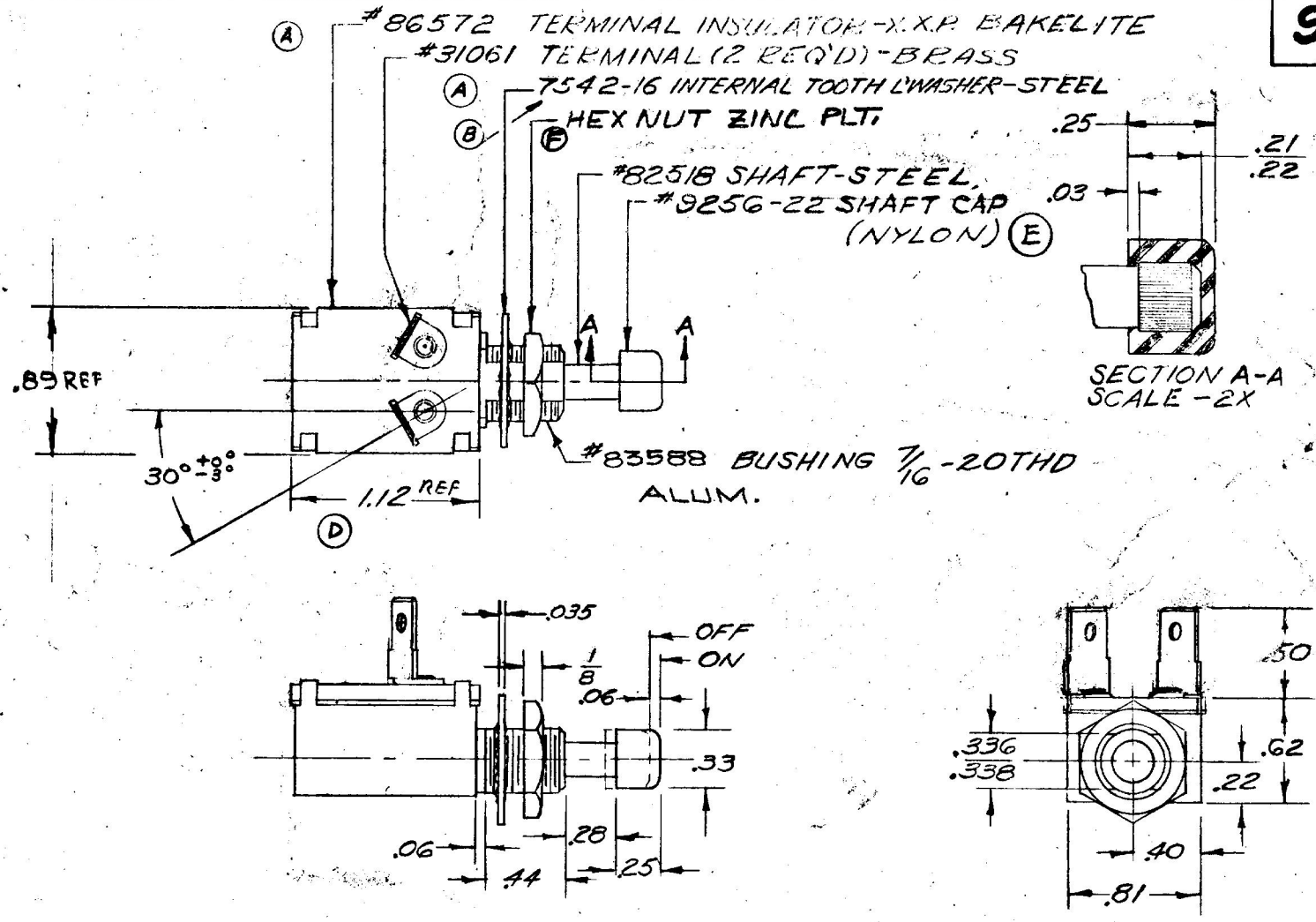


REF  
SCREW  
9256

9212



NOTES  
 1) ALL STEEL PARTS PLATED (C)  
 2) CONTACT & CONTACT RIVETS TO BE BRASS, NOT PLATED

NORMALLY "ON"

LET	WAS	DATE	BY	LET	WAS	DATE	BY	MATERIAL	DRAWN	CHECKED	APPR'V'D	SCALE	USED ON	DATE DRAWN	
				D	ADD REF.	17518	1-11-76	RF		JP	H	1=1		3-7-58	
				C	9025-2	13963	3-25-64	M	FINISH					DATE ISSUED	
G	CAD PLT/25234	11/13/92	TJM	B	8322	10504	11-27-59	E							
F	REV 20975	10-15-80	(C)	A	8503	10492	11-17-59	E							
E	REV/ECN/18760	9-5-74	C		RELEASED		11-10-58	KA	TOLERANCES FRACTIONAL ±.015 DECIMAL ±.010	NAME				PART NO.	
										<b>COLE-HERSEE COMPANY</b> BOSTON 27, MASS., U. S. A.			<b>DOOR SWITCH</b>		<b>9212</b>

COLE-HERSEE CO