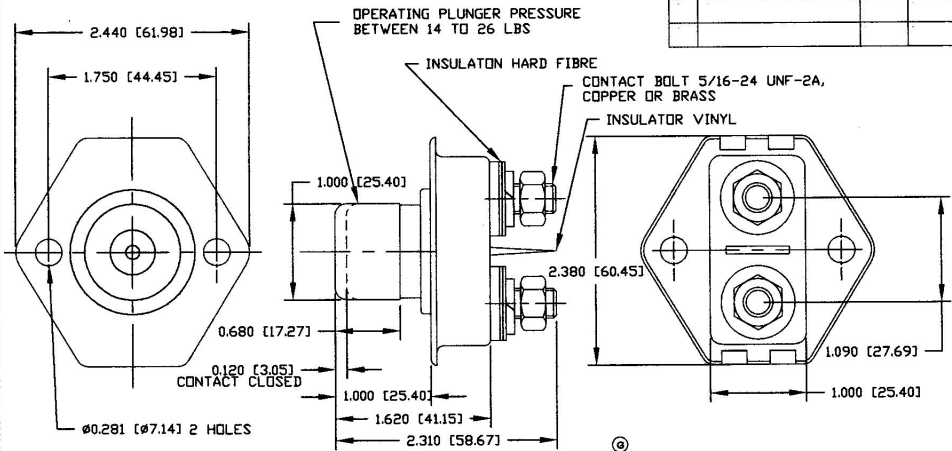


Revision Control Record

| Rev. | Description of Change | ECN No. | Date |
|------|-----------------------|---------|----------|
| G | NOTE CHANGE | 04107 | 03/25/04 |
| | | | |
| | | | |



- © NOTES:
 1. ALL STEEL PARTS PLATED
 2. 35 AMPS @ 12 VDC

Tolerances: Unless otherwise specifically noted, the following are default tolerances:
 • 2-place Decimal Dimensions ±.02"
 • 3-place Decimal Dimensions ±.005"
 • Angular Dimensions ±1.0 Deg.
 • Holes: Refer to equivalent English Dimensional Tolerance
 >>> NOTE: All tolerances are Non-Cumulative. etc.

Dimensional Units: All dimensions are expressed in inches except those shown in brackets (xxx) are expressed in millimeters

WPC - or an Asterisk (*) = Non-Toleranced Reference Dimension, shown for clarification purposes only.

Used On: _____
 or Ref.: _____

Scale: **1:1**

PROPRIETARY INFORMATION: This Engineering Drawing, and the information contained herein, is proprietary to Cole Hersee Company and may not be disclosed, re-produced, or in any other way transferred or communicated to any other party without the express written consent of an authorized representative of Cole Hersee Company.

DESIGN CONTROL: It is the responsibility of the individual using / referencing this drawing to ensure that the initial design revision level agrees with the revision level of the Controlled Document (Master Drawing). This is a NON-CONTROLLED DOCUMENT unless otherwise specifically noted.

DO NOT SCALE: Dimensional variation may occur during printing / reproduction.

Drawn by: **EA**
 Date Drawn: **08/10/56**

Special Characteristics:

- ⊠ Critical Characteristics, relating to Safety and/or Regulatory Compliance
- X Significant Characteristics relating to Process Control (SPC)
- KC Key Characteristics relating to Form - Fit - Function as defined by Cole Hersee Company and/or the Customer

Note that the identification of any Characteristics as being "Special" does not alter the requirement that ALL specified dimensions & tolerances must be met.

Responsible Engineer: _____

Pg. 1 of 1

Cole Hersee Co.
 20 Old Colony Ave., South Boston, MA, 02127
 Phone 617-288-2100 Web: www.colehersee.com

Description: **SWITCH, STARTER**

Drawing / Part No.: **9183**

Current Rev.: **G**