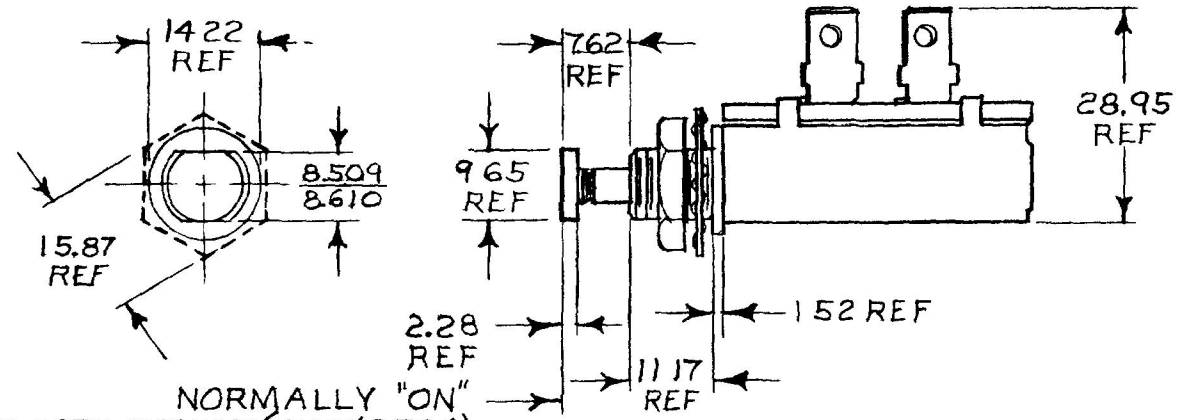
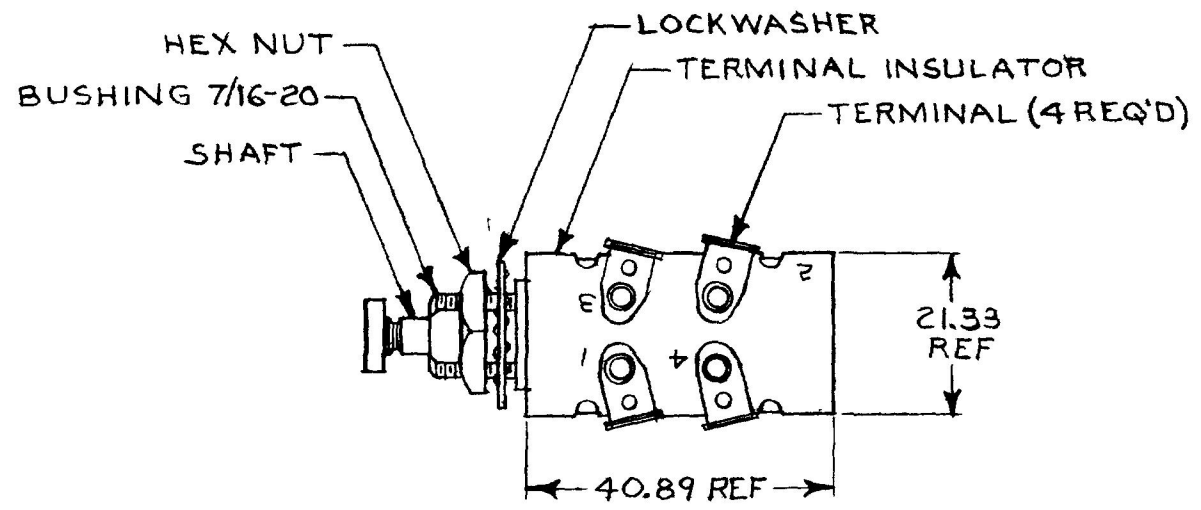


91801

MM IN
 762 03
 1.52 06
 2.28 09
 3.175 125
 7.62 30
 8.509 335
 8.610 339
 9.65 38
 11.17 44
 14.22 56
 15.87 625
 21.33 84
 28.95 14
 40.89 1.61



EX-14874

METRIC

NORMALLY "ON"

BREAKS CONTACT AT BOTH CIRCUITS (1 TO 3 & 2 TO 4)
 AFTER DEPRESSING PLUNGER 3.175 ± 7.62 AND CONTACT
 REMAINS BROKEN THRU THE REMAINDER OF FULL TRAVEL

DO NOT SCALE

LET	WAS	DATE	BY	LET	WAS	DATE	BY	MATERIAL	DRAWN	CHECKED	APPRVD	SCALE	DATE DRAWN
								<i>h</i>	EA	<i>74</i>		1:1	6-28-61
								FINISH	 COLE HERSEE CO. BOSTON MASS. U.S.A.				DATE BLUEPRINT
								<i>h</i>					
								TOLERANCES	SWITCH, MOMENTARY, DPST 91801				
								DECIMAL ±					
								METRIC ±					

CH 188(4 78)