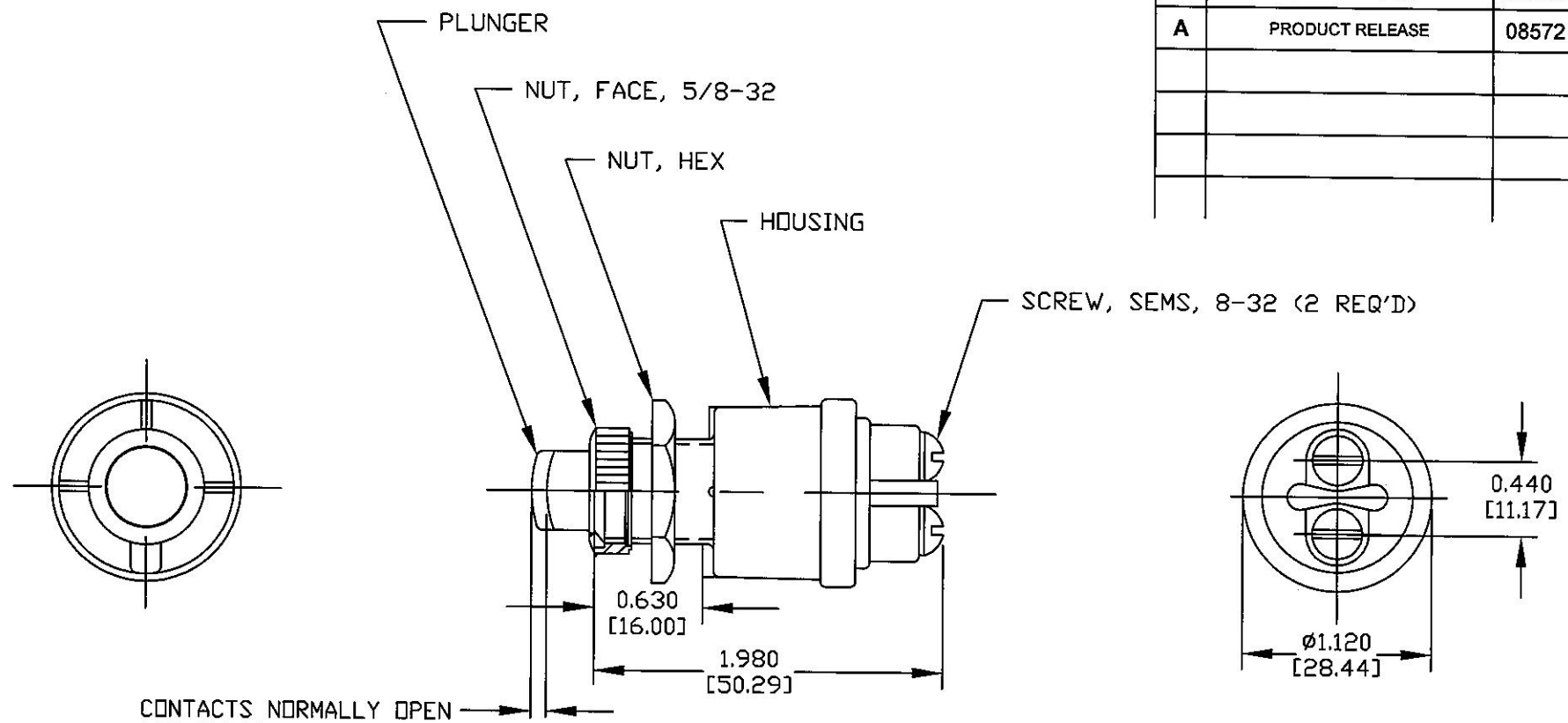


Revision Control Record

| Rev. | Description of Change | ECN No. | Date |
|------|-----------------------|---------|----------|
| A | PRODUCT RELEASE | 08572 | 10/29/08 |
| | | | |
| | | | |
| | | | |



CONTACTS NORMALLY OPEN AND CLOSE WITH PLUNGER DEPRESSED 2.28± .88 AND REMAINDER OF TRAVEL

- NOTES:
1. SILVER CONTACT SURFACES
 2. ALL STEEL PARTS PLATED
 3. ALL HARDWARE ASSEMBLED
 4. RATING: 35 AMPS @ 12V
DC 20 AMPS @ 24V DC
 5. ALL DIMENSIONS ARE REFERENCE UNLESS OTHERWISE STATED

Tolerances Unless otherwise specifically noted, the following are default tolerances;

2-places +/- 0.02"
3-places +/- 0.005"
Angular +/- 1°

Metric: Shown in [] refers to equivalent English Dim Tol

"REF." or an Asterisk (*) = Non-Toleranced Reference Dimension, shown for clarification purposes only.

NOTE: All tolerances are Non-Cumulative.

PROPRIETARY INFORMATION
 This Engineering Drawing, and the information contained herein, is proprietary to Cole Hersee Company and may not be disclosed, re-produced, or in any other way transferred or communicated to any other party without the express written consent of an authorized representative of Cole Hersee Company.

Special Characteristics:

- CC Critical Characteristic, relating to Safety and/or Regulatory Compliance
- X Significant Characteristic relating to Process Control
- KC Control Dimension relating to Form - Fit - Function as defined by Cole Hersee Company and/or the Customer

Cole Hersee Co.
 20 Old Colony Ave., South Boston, MA, 02127
 Phn: 617-268-2100 Web: www.colehersee.com

Description: SW, MOM, P-P, NO

FORM CHT-6 (2/07) Used On or Ref.: **EX28594**

Scale: 1:1 Drawn BY: **JJC** Date Drawn: 10/28/08

Pg. 1 of 1

Drawing / Part No.: 9095-16

Current Rev.: A