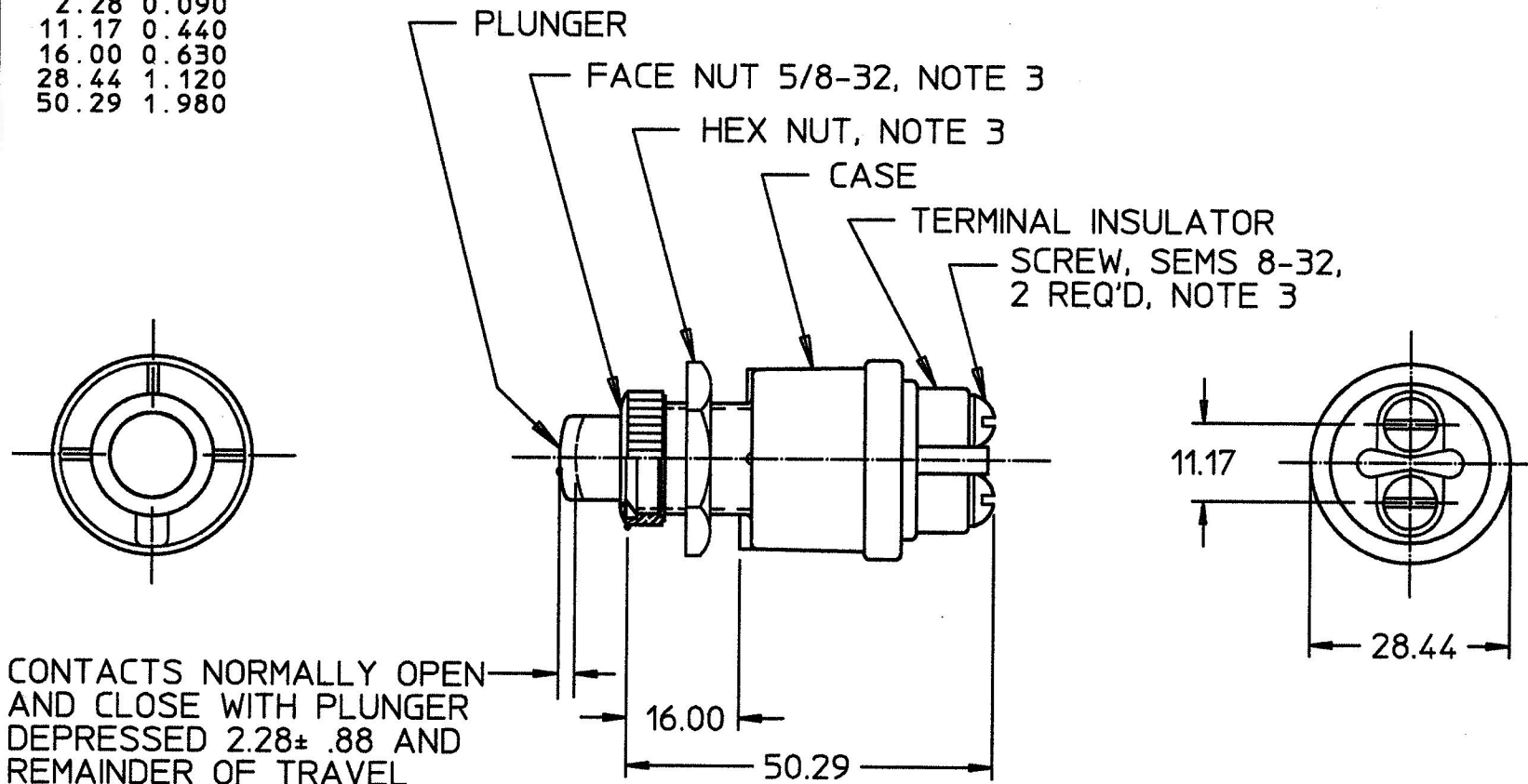


9095

MM	IN
0.88	0.035
2.28	0.090
11.17	0.440
16.00	0.630
28.44	1.120
50.29	1.980



- Ⓟ NOTES:
1. SILVER CONTACT SURFACES
 2. ALL STEEL PARTS PLATED
 3. PARTS MAYBE ASSEMBLED OR SUPPLIED IN BAG
 4. RATING: 35 AMPS @ 12V DC
20 AMPS @ 24V DC
 5. ALL DIMENSIONS ARE REFERENCE UNLESS OTHERWISE STATED

DO NOT SCALE

METRIC

LET.	WAS	DATE	BY	LET.	WAS	DATE	BY	MATERIAL	DRAWN	CHK	APVD	SCALE	DATE DRAWN
									EA	PB		1:1	8/24/59
								FINISH	Cole Hersee Co. 20 OLD COLONY AVENUE, BOSTON, MA, U.S.A. 02127				DATE BLUEPRINTED
				P	ECN # 98787	11/23/98	JG	TOLERANCES	SWITCH, MOMENTARY N.O.				9095
				N	PUT ON CAD ECN #26936	7/23/97	AJS	DECIMAL ± ANGLE ±					