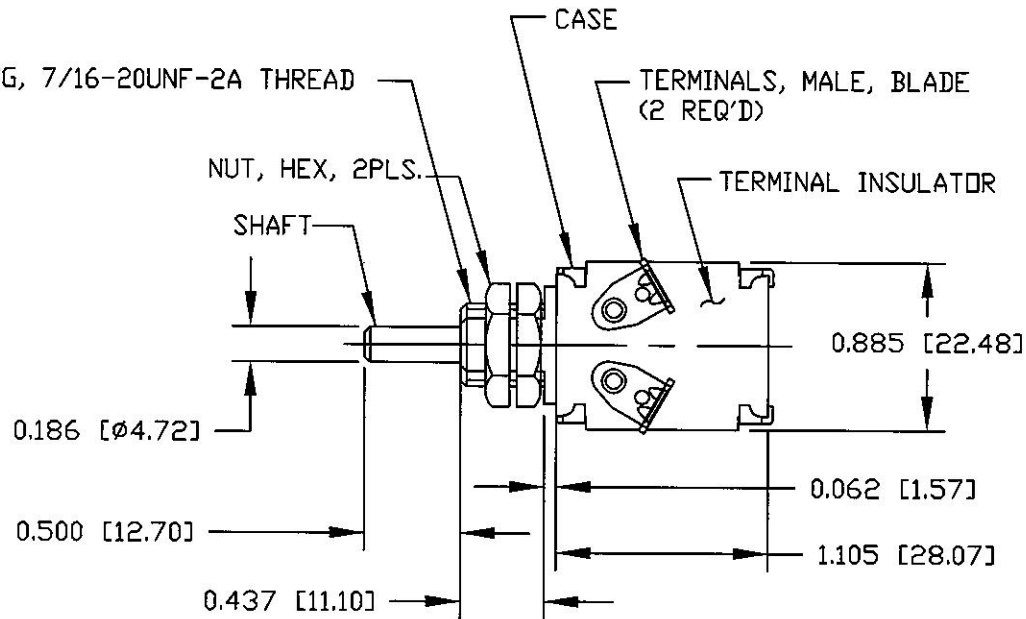


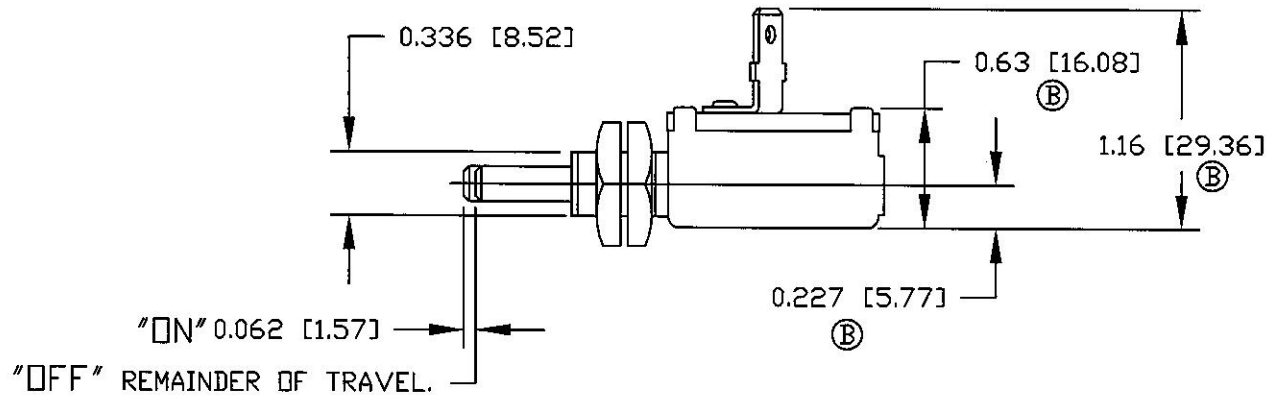
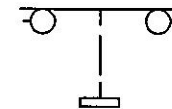
BUSHING, 7/16-20UNF-2A THREAD



Revision Control Record

Rev.	Description of Change	ECN No.	Date
A	DRAWING RELEASE ONLY	09421	8/19/09
B	DIMENSION CORRECTION	10333	9/14/10

SCHEMATIC



NOTES:

1. ALL STEEL PARTS ARE PLATED
2. 20 AMP @ 12V
3. ALL DIMENSIONS ARE REFERENCE UNLESS OTHERWISE SPECIFIED

Tolerances Unless otherwise specifically noted, the following are default tolerances:
 * 2-place Decimal Dimensions $\pm .02"$
 * 3-place Decimal Dimensions $\pm .005"$
 * Angular Dimensions ± 1.0 Deg.
 * Metric: Refer to equivalent English Dimension Tolerance
 >>> NOTE: All tolerances are Non-Cumulative. <<<

Dimensional Units All dimensions are expressed in inches except those shown in brackets (xxx) are expressed in millimeters

REF. or an Asterisk () = Non-Toleranced Reference Dimension, shown for clarification purposes only.

PROPRIETARY INFORMATION This Engineering Drawing, and the information contained herein, is proprietary to Cole Hersee Company and may not be disclosed, re-produced, or in any other way transferred or communicated to any other party without the express written consent of an authorized representative of Cole Hersee Company.

DESIGN CONTROL It is the responsibility of the individual using / referencing this drawing to assure that the noted design revision level agrees with the revision level of the Controlled Document (Master Drawing). This is a NON-CONTROLLED DOCUMENT unless otherwise specifically noted.

DO NOT SCALE - Dimensional variation may occur during printing / reproduction.

Special Characteristics:



Critical Characteristic, relating to Safety and/or Regulatory Compliance



Significant Characteristic relating to Process Control (SPC)



Key Characteristic relating to Form - Fit - Function as defined by Cole Hersee Company and/or the Customer

(Note that the identification of any Characteristics as being "Special" does not alter the requirement that ALL specified dimensions & tolerances must be met.)



Cole Hersee Co.

20 Old Colony Ave., South Boston, MA, 02127
 Phn: 617-268-2100 Web: www.colehersee.com

Description:

9055-08

Drawing / Part No.:

SW. DOOR. N.C

Current Rev.

B

Used On or Ref.: EX-28696

Scale: 1:1

Drawn By: G.Auguste

Date Drawn: 8/19/09

Responsible Engineer: G.Auguste

Pg. 1 of 1