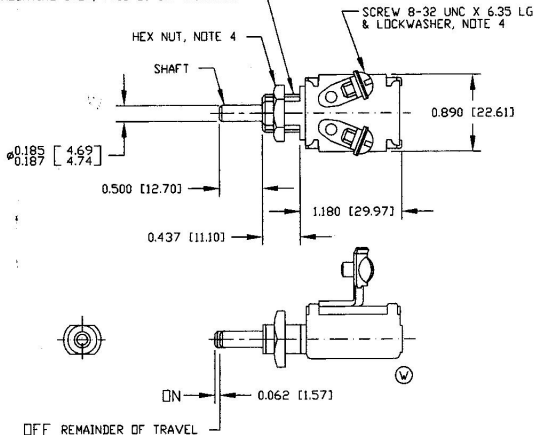


MOUNTING STEM, 7/16-20 UNF ALUMINUM



**Revision Control Record**

Rev.	Description of Change	ECN No.	Date
W	REMOVED BUMPS FROM CASE	02151	3/27/02

**NOTES:**

1. ALL STEEL PARTS PLATED
2. RATING 10 AMP @ 12V
3. ALL DIMENSIONS ARE REFERENCE UNLESS OTHERWISE SPECIFIED
4. PARTS MAY BE ASSEMBLED OR SUPPLIED IN A BAG

**Tolerances:** Unless otherwise specifically noted, the following are default tolerances:  
 \* 2-place Decimal Dimensions  $\pm .02"$   
 \* 3-place Decimal Dimensions  $\pm .005"$   
 \* Angular Dimensions  $\pm 1.0$  Deg.  
 \* Metric: Refer to equivalent English Dimensional Tolerance  
 >>> **NOTE:** All tolerances are Non-Cumulative. <<<

**Dimensional Units:** All dimensions are expressed in inches except those shown in brackets (mm) are expressed in millimeters

\***REF.** - or an Asterisk (\*) - Non-Tolerance Reference Dimension, shown for clarification purposes only.

**PROPRIETARY INFORMATION:** This Engineering Drawing, and the information contained herein, is proprietary to Cole Hersee Company and may not be disclosed, reproduced, or in any other way transferred or communicated to any other party without the express written consent of an authorized representative of Cole Hersee Company.

**DESIGN CONTROL:** It is the responsibility of the individual using/reproducing this drawing to ensure that the actual design revision level agrees with the revision level of the Controlled Document (Master Drawing). This is a NON-CONTROLLED DOCUMENT unless otherwise specifically noted.

**DO NOT SCALE:** Dimensional variation may occur during printing/reproduction.

**Key for Special Characteristics:**

- Critical Characteristic, relating to Safety under Regulatory Compliance
- Significant Characteristic relating to Process Control (SPC)
- Control Dimension relating to Form - Fit - Function as defined by Cole Hersee Company and/or the Customer

(Note that the Identification of any Characteristics as being "Special" does not alter the requirement that ALL specified dimensions & tolerances must be met.)

**Cole Hersee Co.**  
 20 Old Colony Ave., South Boston, MA, 02127  
 Phn: 617-268-2100 Web: www.colehersee.com

Description: **SW, DOOR**

Drawing/Part No.: **9055**

Current Rev.

**W**

Used On or Ref.: Scale: **1:1**

Drawn **PG**

Date **12/3/49**

Responsible Engineer:

Pg. 1 of 1