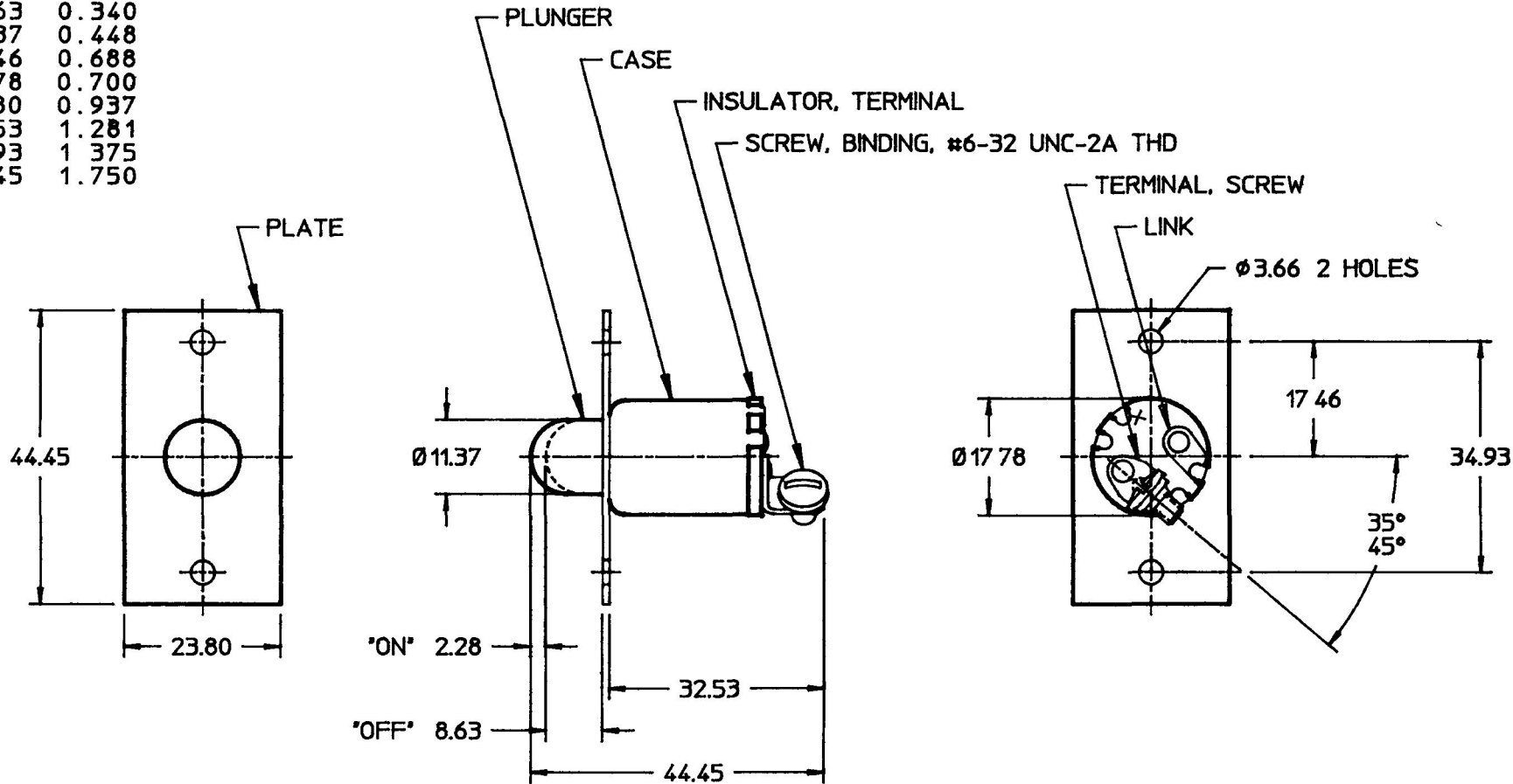


9050-01

MM	IN
2.28	0.090
3.66	0.144
8.63	0.340
11.37	0.448
17.46	0.688
17.78	0.700
23.80	0.937
32.53	1.281
34.93	1.375
44.45	1.750



NOTES:  
 1. ALL STEEL PARTS PLATED  
 2. ALL DIMENSIONS ARE REFERENCE

METRIC

DO NOT SCALE

LET.	WAS	DATE	BY	LET.	WAS	DATE	BY	MATERIAL	DRAWN	CHK	APVD	SCALE	EX25647	DATE DRAWN
									MJT	AF		1:1		5/11/94
								FINISH	<b>Cole Hersee Co.</b> 20 OLD COLONY AVENUE, BOSTON, MA, U.S.A. 02127					DATE BLUEPRINTED
								TOLERANCES DECIMAL ± ANGLE ±						SW, MOM, DOOR
				C	REVISED PER ECN #25588	5/11/94	MJT							