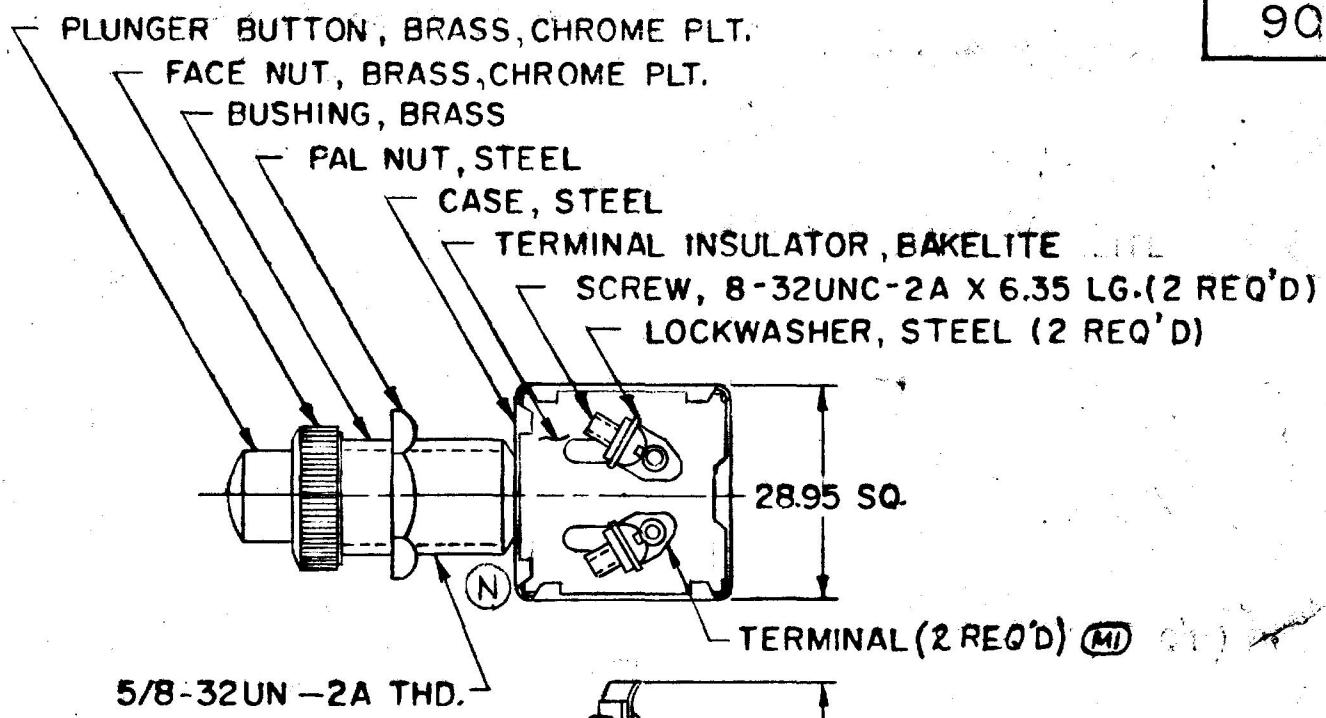
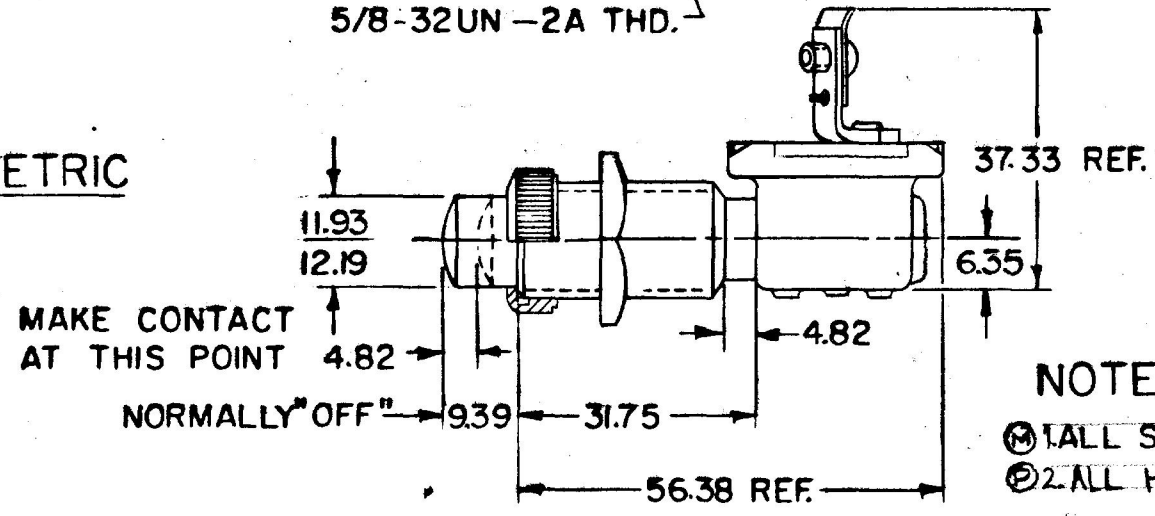


12.19
 11.93
 11.76
 11.59
 11.42
 11.25
 11.08
 10.91
 10.74
 10.57
 10.40
 10.23
 10.06
 9.89
 9.72
 9.55
 9.38
 9.21
 9.04
 8.87
 8.70
 8.53
 8.36
 8.19
 8.02
 7.85
 7.68
 7.51
 7.34
 7.17
 7.00
 6.83
 6.66
 6.49
 6.32
 6.15
 5.98
 5.81
 5.64
 5.47
 5.30
 5.13
 4.96
 4.79
 4.62
 4.45
 4.28
 4.11
 3.94
 3.77
 3.60
 3.43
 3.26
 3.09
 2.92
 2.75
 2.58
 2.41
 2.24
 2.07
 1.90
 1.73
 1.56
 1.39
 1.22
 1.05
 0.88
 0.71
 0.54
 0.37
 0.20
 0.03

9044



METRIC



NOTE:

- Ⓜ ALL STEEL PARTS PLATED
- Ⓜ 2 ALL HARDWARE SHIPPED LOOSE

SIMILAR TO #9033 EXCEPT WITH #8304 FACE NUT

10 AMPS @ 12V DC

DO NOT SCALE

| LET | WAS | DATE | BY | LET | WAS | DATE | BY | MATERIAL | DRAWN | CHECKED | APPRV'D. | SCALE | DATE DRAWN |
|-----|-----|------|----|-----|-----------------------------|---------|----|-------------------------------|----------------------|---------|----------|-------|----------------|
| | | | | | | | | — | RG | 9-26-78 | | 1:1 | 9-18-46 |
| | | | | P | ECN # 99173 | 5/13/49 | RF | FINISH | | | | | DATE BLUEPRINT |
| | | | | N | ECN # 27104 HAM CUTOUT S | 2/23/78 | MP | | | | | | |
| | | | | M | STEEL CABLER RINC 25234 | 6/1/92 | LH | TOLERANCES | | | | | |
| | | | | L | REDRAWN | 9-25-78 | VK | FRACTIONAL ± DECIMAL ±0.25 | STARTER SWITCH ASS'Y | | | | 9044 |

Cole Hersee Co.
 20 OLD COLONY AVENUE, SOUTH BOSTON, MA, U.S.A. 02127

CH-188 (4-78)