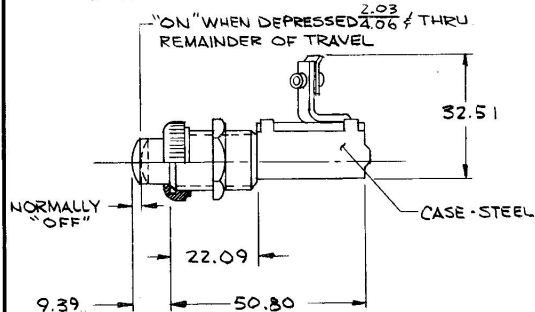
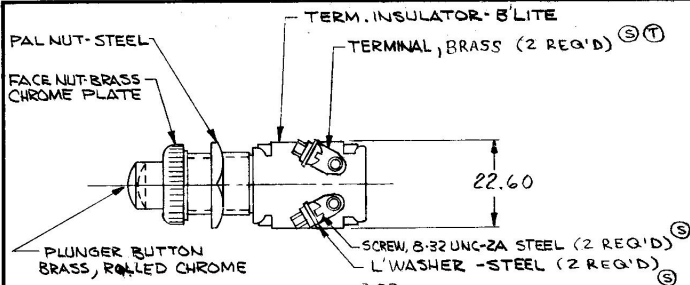


9023



## NOTES :

- 1) COPPER ALLOY CONTACTS
- 2) NUMBER OF POLES 1  
NUMBER OF THROWS 1
- 3) SEALING-NONE
- ④ 4) ALL STEEL PARTS PLATED
- 5) RATING:

	RESISTIVE	INDUCTIVE
12V	15 AMPS	10 AMPS
24V	8 AMPS	5 AMPS

LIFE @ RATED CURRENT  
MAKE & BREAK / 12V-100,000 MIN.  
24V - 50,000 MIN.

METRIC

Confidential Property of Cole Hersee

DO NOT SCALE

LET.	WAS	DATE	BY	LET	WAS	DATE	BY	MATERIAL	DRAWN	CHECKED	APPROVED	SCALE	DATE DRAWN
									W.R.	AF		1:1	2-28-46
				T	NOTE 50169	5-11-04	SA	FINISH	 <small>MADE IN U.S.A.</small>				DATE BLUEPRINT
				S	ECN 02321	6-25-02	M.L.						
				R	2186 / 25234	11/1/92	T.H.	TOLERANCES	<b>STARTER SWITCH</b>				9023
				Q	REORAM N	5/16/87	J.P.	DECIMAL ± METRIC ±					