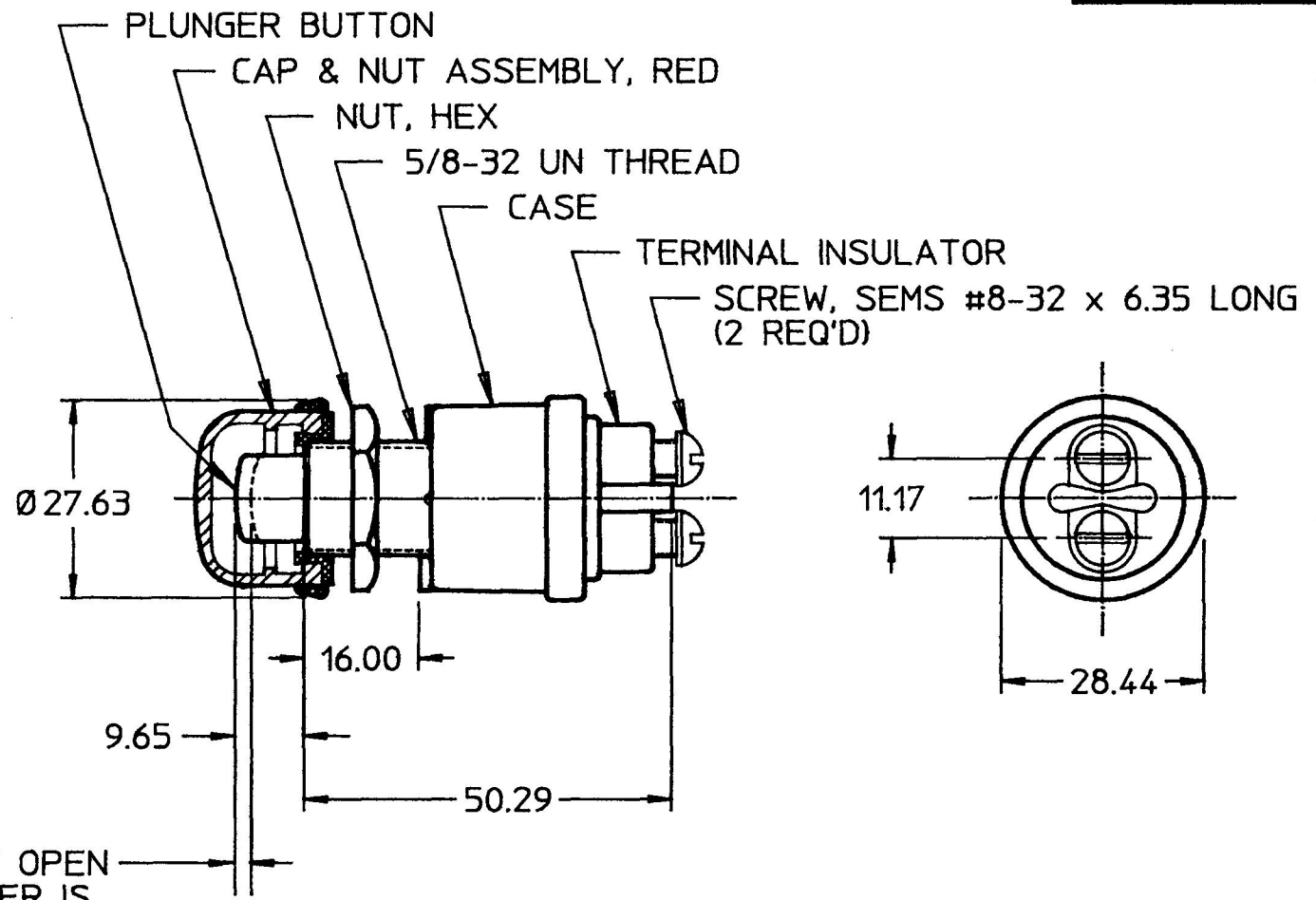


90030-04

MM	IN
1.77	0.070
6.35	0.250
9.65	0.380
11.17	0.440
16.00	0.630
27.63	1.088
28.44	1.120
50.29	1.980



FRONT VIEW OF CASE


CONTACTS NORMALLY OPEN
CLOSED WHEN PLUNGER IS
DEPRESSED 1.770 APPROX.
AND THRU REMAINDER OF
TRAVEL

35 AMPS	12 VDC
20 AMPS	24 VDC
CURRENT RATING	

NOTES:
1. ALL STEEL PARTS PLATED
2. SILVER CONTACT SURFACES

METRIC

DO NOT SCALE

LET.	WAS	DATE	BY	LET.	WAS	DATE	BY	MATERIAL	DRAWN	CHK	APVD	SCALE	90030 EXCEPT WITH RED CAP & NUT ASSY	DATE DRAWN
									BW	JL		1:1		10/8/71
								FINISH	 Cole Hersee Co. 20 OLD COLONY AVENUE, BOSTON, MA., U.S.A. 02127					DATE BLUEPRINTED
								TOLERANCES DECIMAL ± ANGLE ±						SWITCH, MOM, NO
				J	PUT ON CAD	1/25/93	MJT							