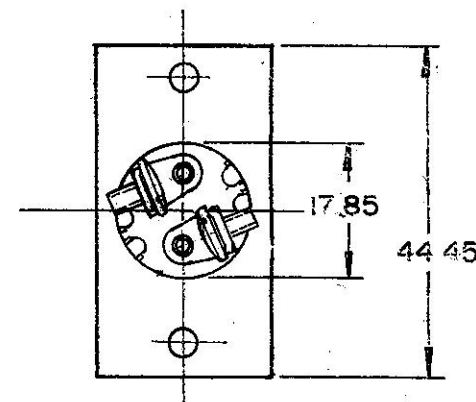
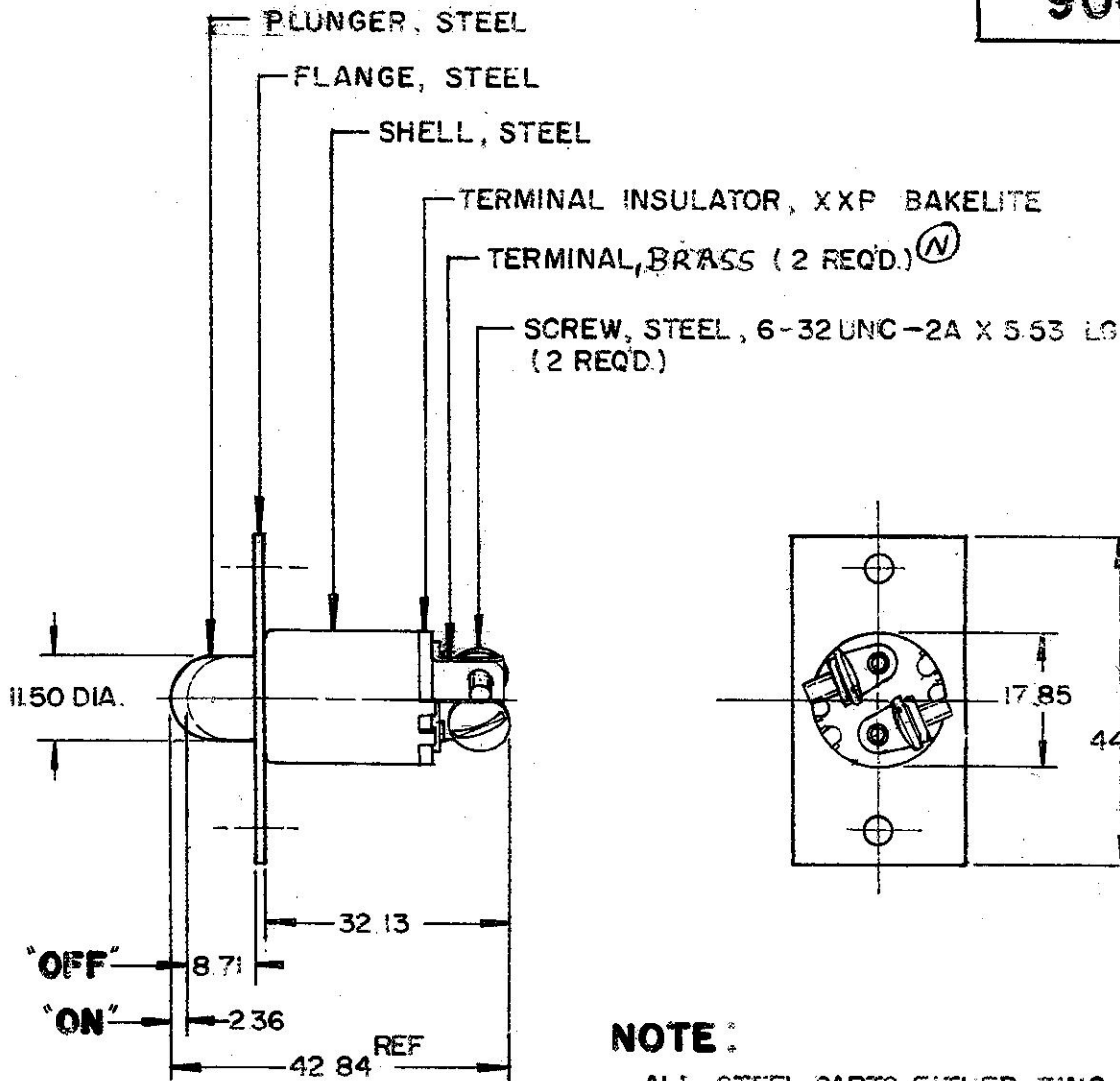
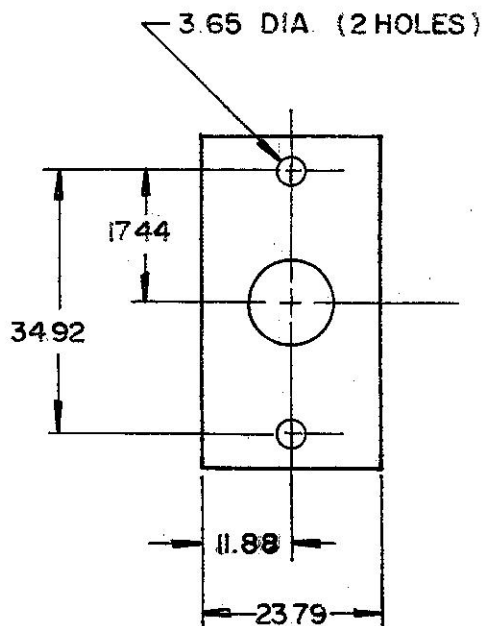


9001



NOTE:

ALL STEEL PARTS EITHER ZINC PLATE WITH DICHROMATE DIP OR CADMIUM PLATE.

METRIC

CONFIDENTIAL PROPERTY OF COLE HERSEE

DO NOT SCALE

LET	WAS	DATE	BY	LET	WAS	DATE	BY	MATERIAL	DRAWN	CHECKED	APPRV'D.	SCALE	DATE DRAWN
								— / —	R M	11-3-78		1:1	8 - 23 - 51
								FINISH	 Cole Hersee Co. <small>20 OLD COLONY AVENUE, SOUTH BOSTON, MA, U.S.A. 02111</small>				DATE BLUEPRINT
								— / —					
								TOLERANCES	<p>DOOR SWITCH</p>				<p>9001</p>
								FRACTIONAL ±					
								DECIMAL ±					

N ECN 09002 1-16-09 S/6
M REDRAWN 0-27-78

CL-133 (4-78)