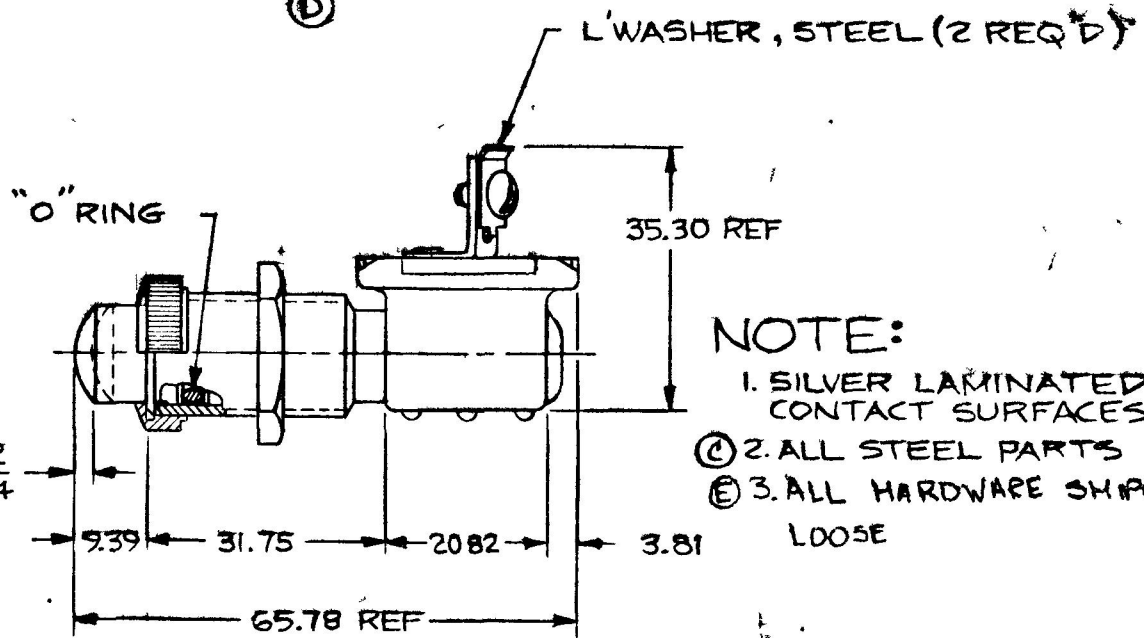
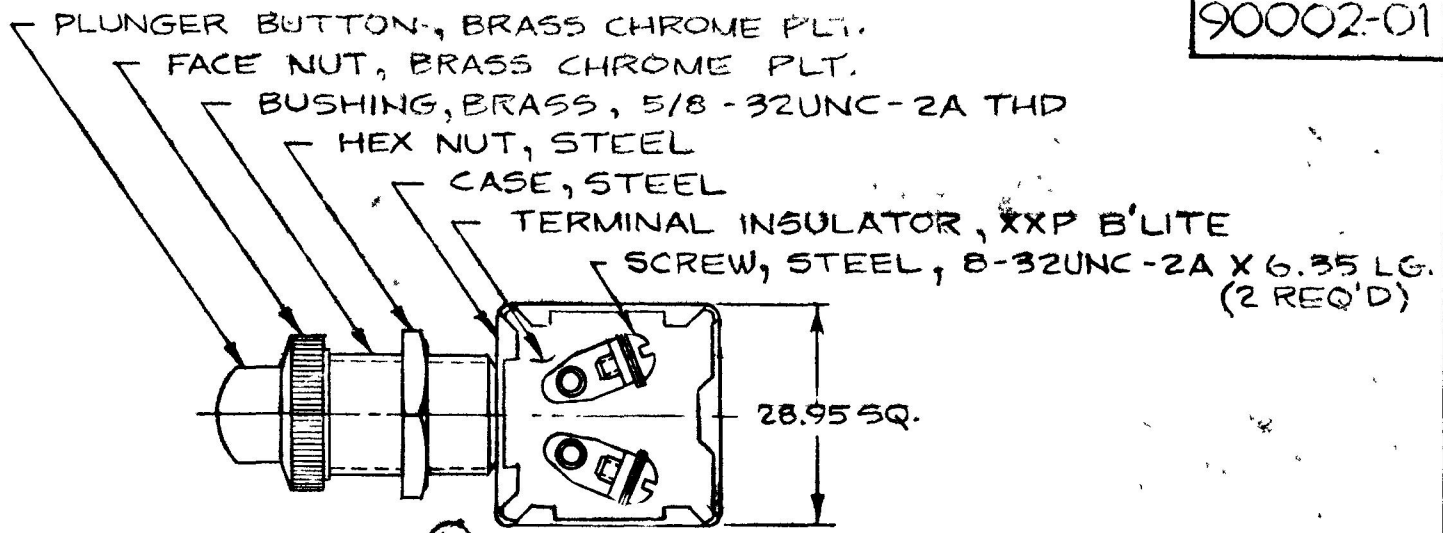


M.M.	IN.
0.25	.010
0.52	.060
0.04	.120
0.81	.150
0.35	.250
0.39	.370
0.82	.820
0.95	1.140
1.75	1.250
5.30	1.390
5.78	2.590

90002-01



"NORMALLY ON"
OFF WHEN PLUNGER
IS DEPRESSED 1.52/3.04
& THRU REMAINDER OF
TRAVEL.

NOTE:
1. SILVER LAMINATED CONTACT SURFACES.
② 2. ALL STEEL PARTS PLATED
③ 3. ALL HARDWARE SHIPPED LOOSE

METRIC

DO NOT SCALE

LET	WAS	DATE	BY	LET	WAS	DATE	BY	MATERIAL	DRAWN	CHECKED	APPRV'D	SCALE	90002, W/SILVERED CONTACTS & RIVETS	DATE DRAWN
								— # —	JH	11-20-78		1:1		4-14-69
				E	ECN #99173	5/13/91	JH	FINISH						DATE BLUEPRINT
				D	ECN 2716 4 400 CUTOUT	2/28/78	JD	— # —						
				C	ZINC / 25234	11/10/92	TJH	TOLERANCES						
				B	REDRAWN	11-9-78	VK	FRACTIONAL ± DECIMAL ±0.25						
													MOMENTARY SWITCH "NORMALLY ON"	90002-01

CH Cole Hersee Co.
20 OLD COLONY AVENUE SOUTH BOSTON, MA U.S.A. 02127

CH-188 (4-78)