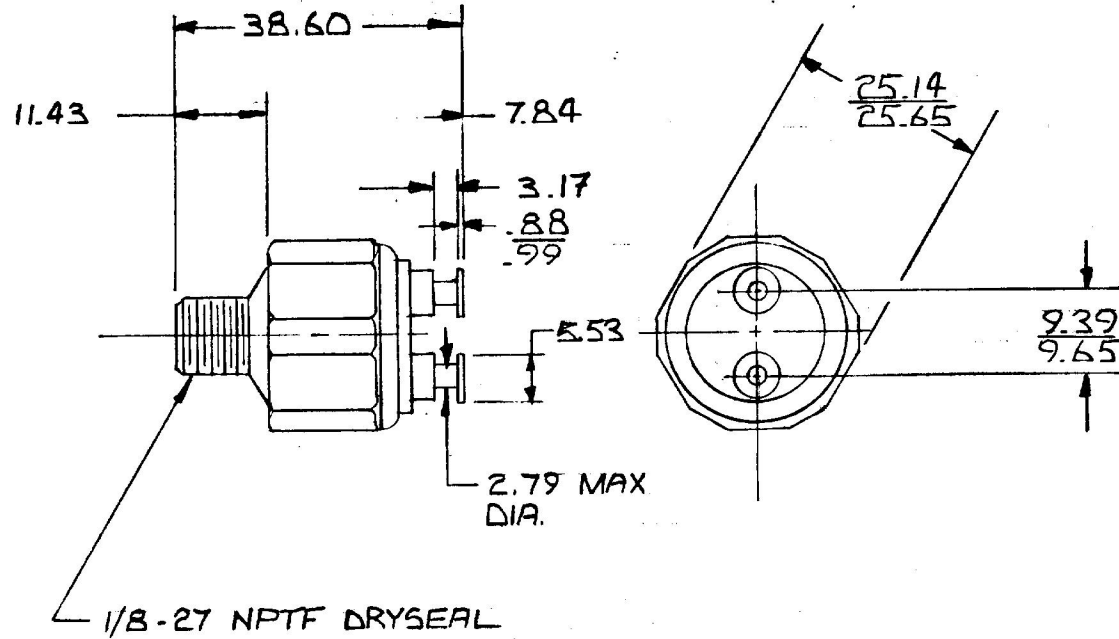


8638

SOURCE:
DYNAMIC INDUSTRIES
DY-23808

MM	IN
.88	.035
.99	.039
1.10	.110
1.25	.125
2.18	.218
3.09	.309
3.70	.370
3.80	.380
4.50	.450
9.90	.990
1.010	1.010
1.520	1.520



NOTE:
1. SWITCH TO OPERATE AT
60 TO 120 PSI PRESSURE

METRIC

DO NOT SCALE

LET.	WAS	DATE	BY	LET	WAS	DATE	BY	MATERIAL	DRAWN	CHECKED	APPRV'D.	SCALE	DATE DRAWN
								—H—	AA			1=1	4-17-56
								FINISH	Cole Hersee Co. <small>20 OLD COLONY AVENUE SOUTH BOSTON MA U.S.A 02127</small>				DATE BLUEPRINT
								—H—					
								TOLERANCES	SWITCH STOP LAMP				8638
								DECIMAL ±					
								METRIC ±					
					D	RE-DRAWN	6-21-89	JK					

CH-188(4-78)