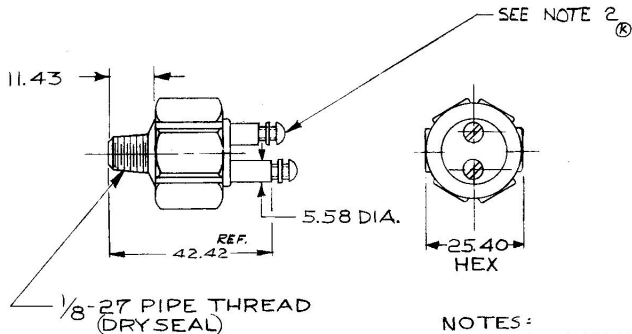


8626

MM	IN
0.25	.010
5.58	0.220
11.17	.440
11.43	.450
25.4	1.000
42.4	1.670



- NOTES:
1. SWITCH OPERATES AT 413.64 / 827.28 KPA (60-120 P.S.I.)
  2. HARDWARE ASSEMBLED

METRIC

Confidential Property of Cole Hersee

DO NOT SCALE

LET.	WAS	DATE	BY	LET.	WAS	DATE	BY	MATERIAL	DRAWN	CHECKED	APP'VD.	SCALE	DATE DRAWN
								—	RG			1:1	10-6-42
				K	ECN 23688	3-3-88	JK	FINISH					DATE BLUEPRINT
				J	REV 27745	7/28/82	JK	—					
				H	REV/21200	10-30-80	ES	TOLERANCES	<b>STOP LAMP SW</b>				8626
				G	REDRAWN	5/19/80	ES	DECIMAL ±					
								METRIC ±					