

MM	IN
4 26	0 168
5 76	0 227
6 52	0 257
15 74	0 620
16 00	0 630
19 73	0 777
20 06	0 790
44 09	1 736

8487

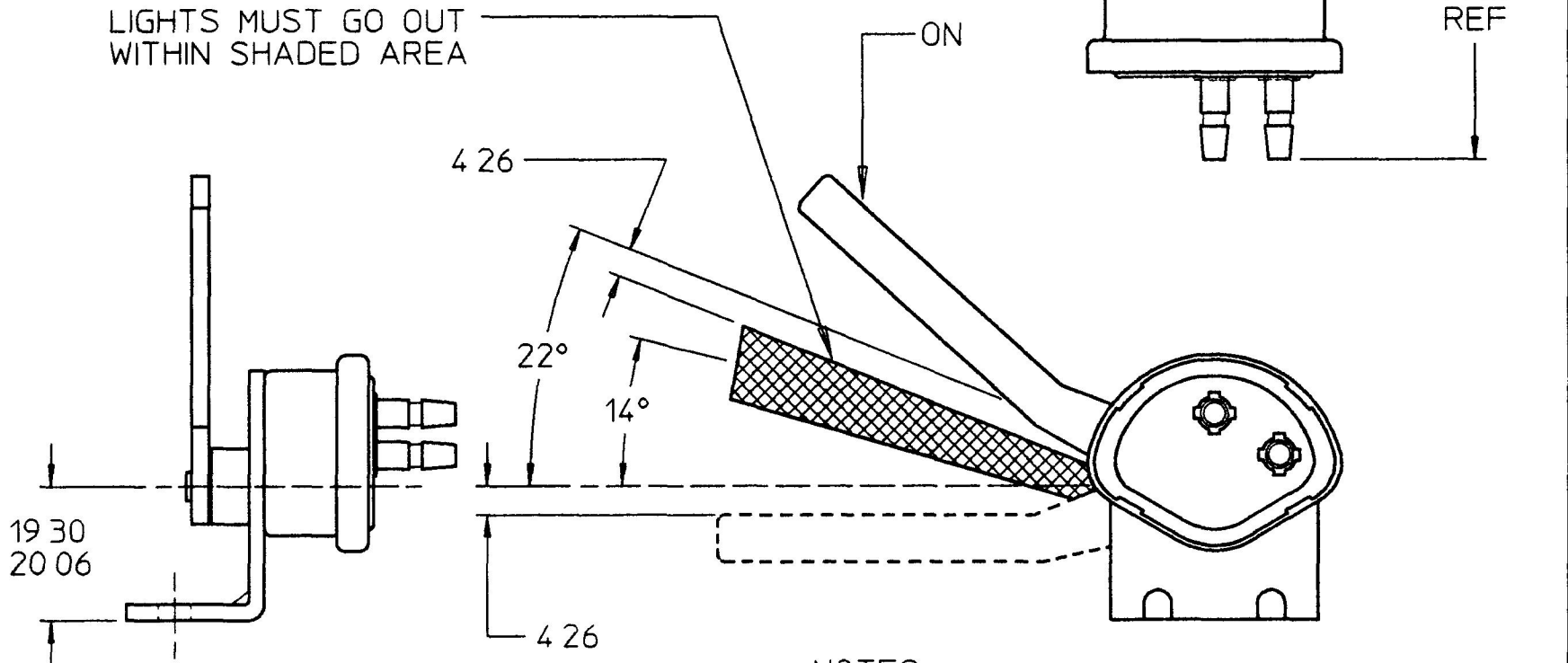
10-32 UNF-2B
(2 PLACES)

15 74
16 00

5 76
6 52

44 09
REF

LIGHTS MUST GO OUT
WITHIN SHADED AREA




NOTES

- 1 ALL STEEL PARTS PLATED
- 2 RATED CONTACT CURRENT 42 - 46 AMPS
- 3 MAX OPERATING FORCE 3 LBS

METRIC

DO NOT SCALE

LET	WAS	DATE	BY	LET	WAS	DATE	BY	MATERIAL	DRAWN	CHK	APVD	SCALE	DATE DRAWN
									GA			11	10/26/54
								FINISH NOTED	 Cole Hersee Co. 20 OLD COLONY AVENUE BOSTON MA U.S.A. 02127				DATE BLUEPRINTED
								TOLERANCES	SW, STOP LIGHT				8487
				H	PUT ON CAD	05/12/99	GA	DECIMAL ± ANGLE ±					