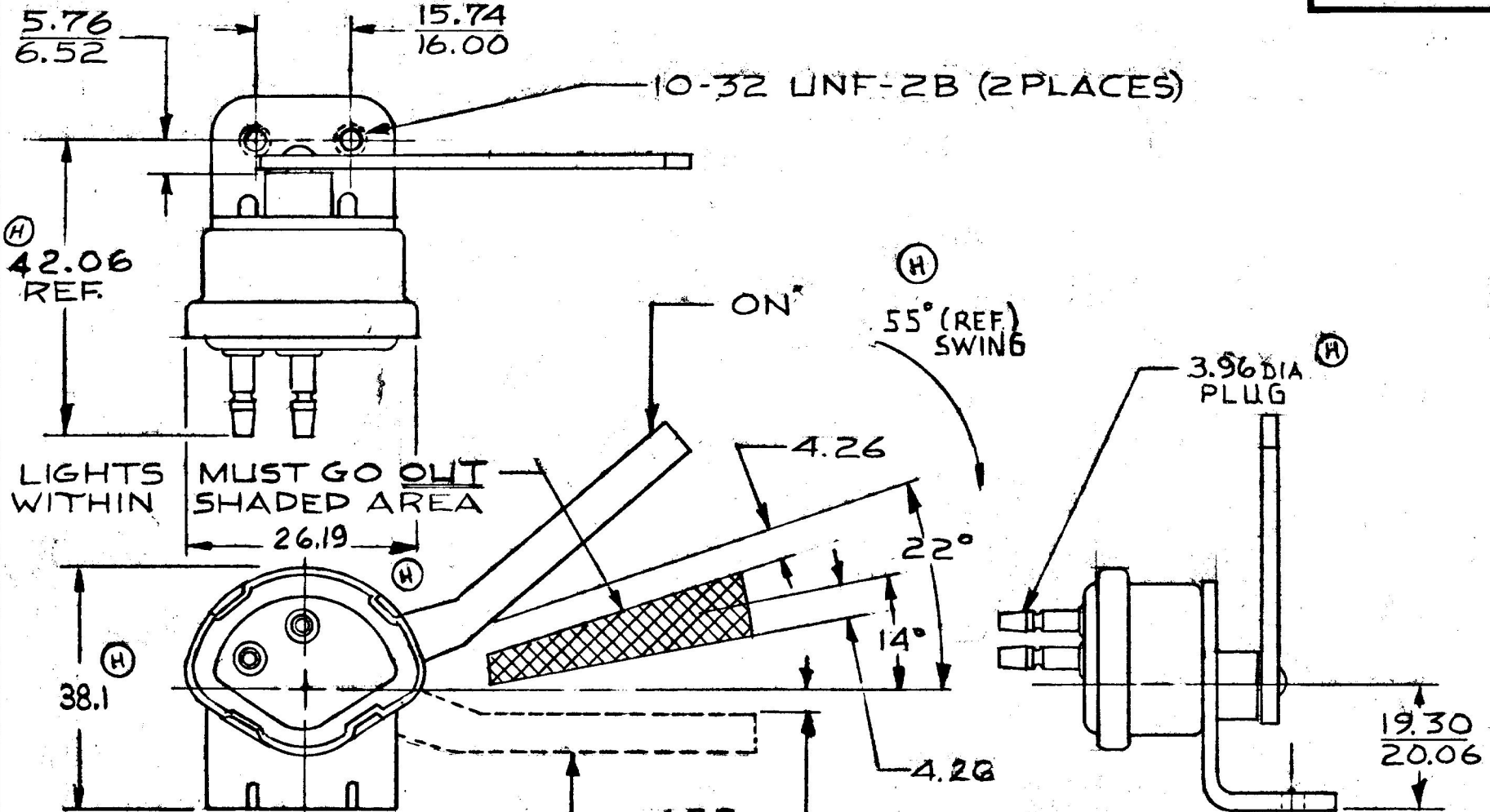


8486

MM IN
 4.26 .168
 5.76 .227
 6.52 .257
 15.74 .620
 16.00 .630
 19.30 .760
 20.06 .790
 44.09 1.736
 38.1 1.500
 26.19 1.069
 3.96 .156



LIGHTS MUST GO OUT WITHIN SHADED AREA

NOTE: ALL STEEL PARTS PLATED

RATED CONTACT CURRENT 4.2-4.6 AMPS
 MAX. OPERATING FORCE 3LBS

METRIC

DO NOT SCALE

WELLS MFG CO. 51700018

LET.	WAS	DATE	BY	LET	WAS	DATE	BY	MATERIAL	DRAWN	CHECKED	APPR'D.	SCALE	DATE DRAWN
								#	FHG	RJA		1:1	10-26-54
								FINISH NOTED	 30 OLD COLONY AVENUE SOUTH BOSTON, MA. U.S.A. 02127				DATE BLUEPRINT
								TOLERANCES					MECH. STOP LIGHT SWITCH
				H	ECN 23516	5/15/87	RF	DECIMAL ± .010					
				G	REDRAWN REV 21303	1-30-81	LP	METRIC ± .25					

CH-188(4-78)