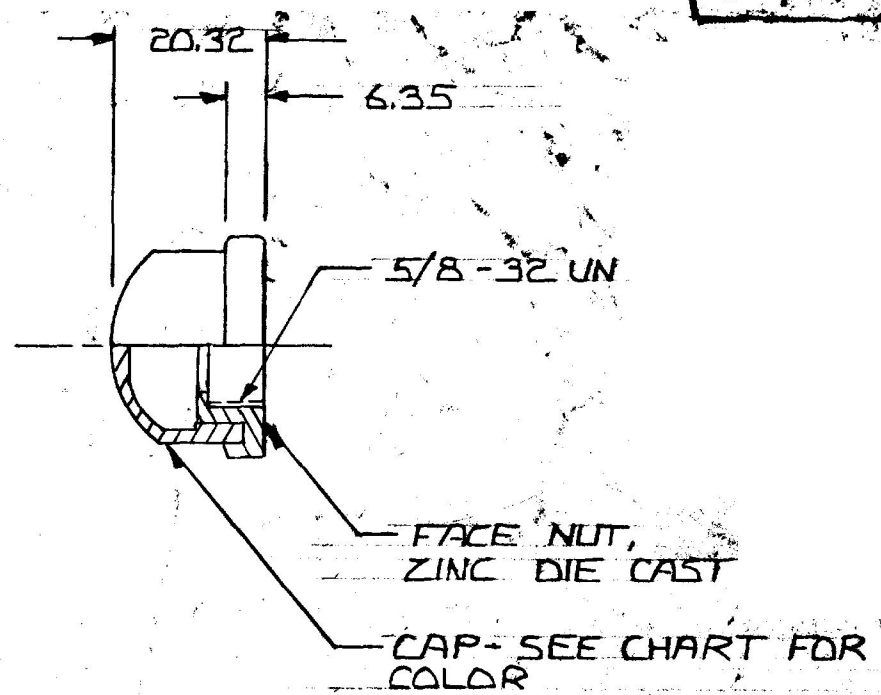
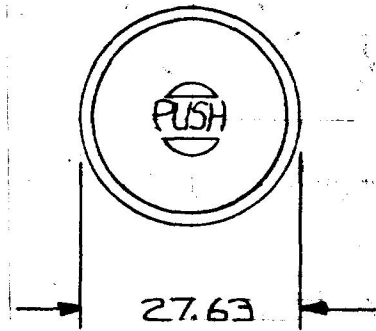


MM IN
 .25 .010
 6.35 .250
 25.32 .800
 27.63 1.088

83280
 CHART



83280-06	BRICK RED
83280-05	BROWN
83280-03	BLACK
83280-02	RED
83280	GREY
PART NO	COLOR

DO NOT SCALE

LET.	WAS	DATE	BY	LET	WAS	DATE	BY	MATERIAL	DRAWN	CHECKED	APPR'V'D.	SCALE	DATE DRAWN
								#	CF	AF		1:1	8-10-67
								FINISH	 Cole Hersee Co. <small>20 OLD COLONY AVENUE, SOUTH BOSTON, MA. U.S.A. 02127</small>				DATE BLUEPRINT
								#					
								TOLERANCES	WEATHERPROOF CAP & NUT ASSEMBLY				83280
								DECIMAL ±					
								METRIC ±					
					K REDRAWN	8-15-89	JK						

CH-188(4-78)