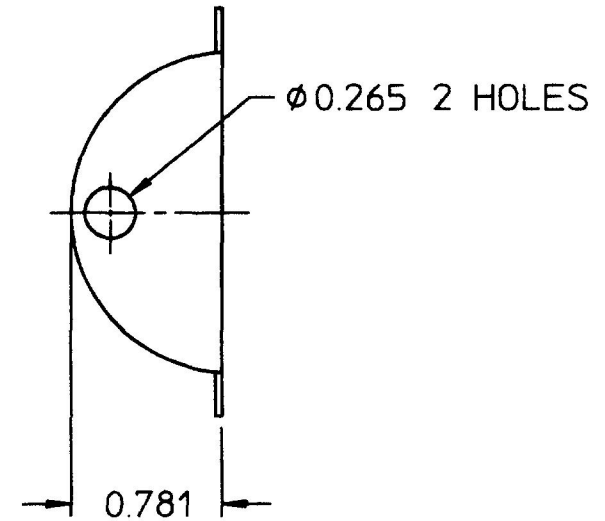
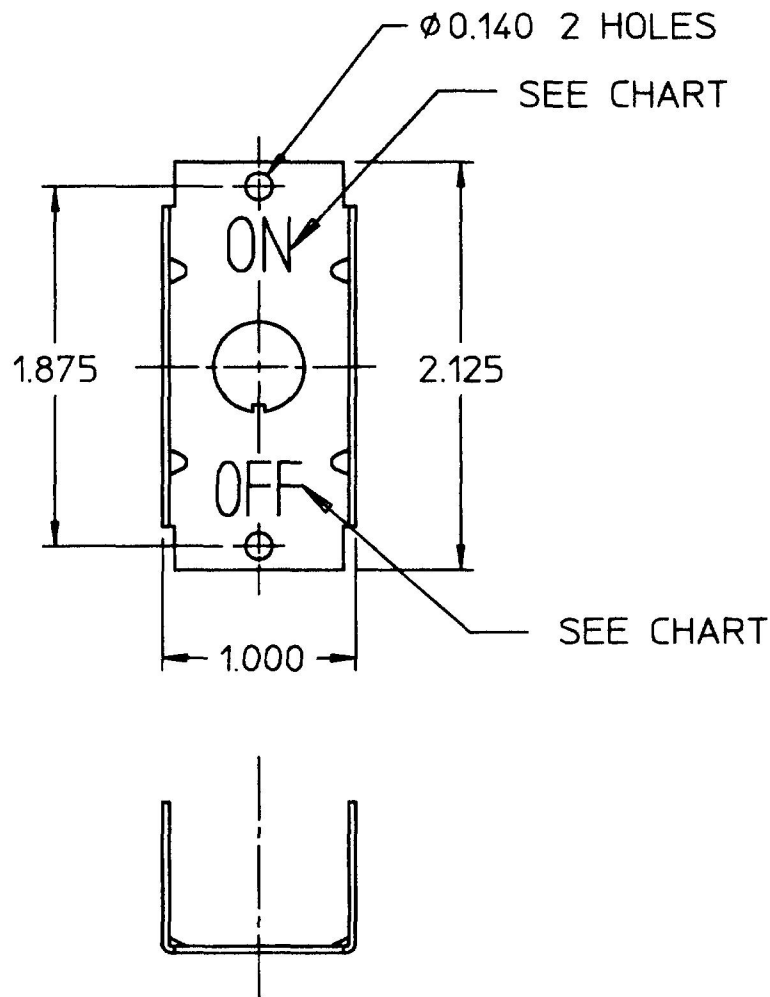


CHART

82465




- NOTES:
 1. MATERIAL: STEEL
 2. FINISH: ZINC CLEAR
 3. ALL DIMENSIONS ARE REFERENCED

82465-1	NO
82465	YES
PT NO	LETTERING

ⓓ

DO NOT SCALE

LET.	WAS	DATE	BY	LET.	WAS	DATE	BY	MATERIAL	DRAWN	CHK	APVD	SCALE	DATE DRAWN
								NOTED	RMT	CHK	N/A	1:1	12/20/77
				D	ECN 00134	01/27/00	DPS	FINISH	 Cole Hersee Co. 20 OLD COLONY AVENUE, BOSTON, MA., U.S.A. 02127				DATE BLUEPRINTED
				C	ECN 25533	2/3/94	BL	NOTED					
				B	PUT ON CAD	4/3/91	RO	TOLERANCES	PLATE, FACE				82465
				--	ISSUED	1/4/78	BL	DECIMAL ± N/A ANGLE ± N/A					