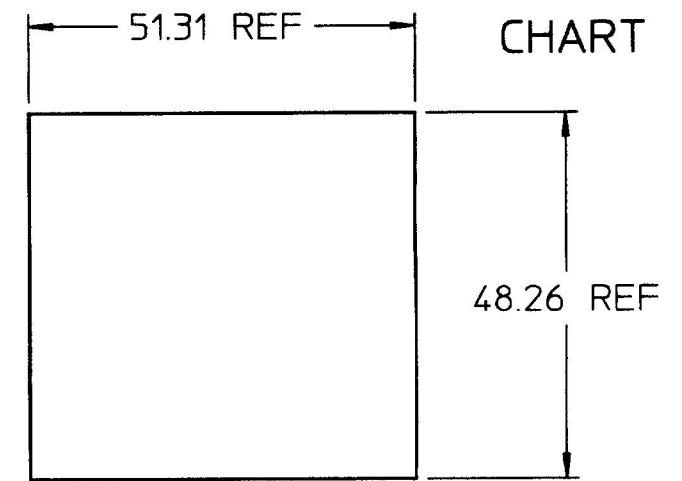
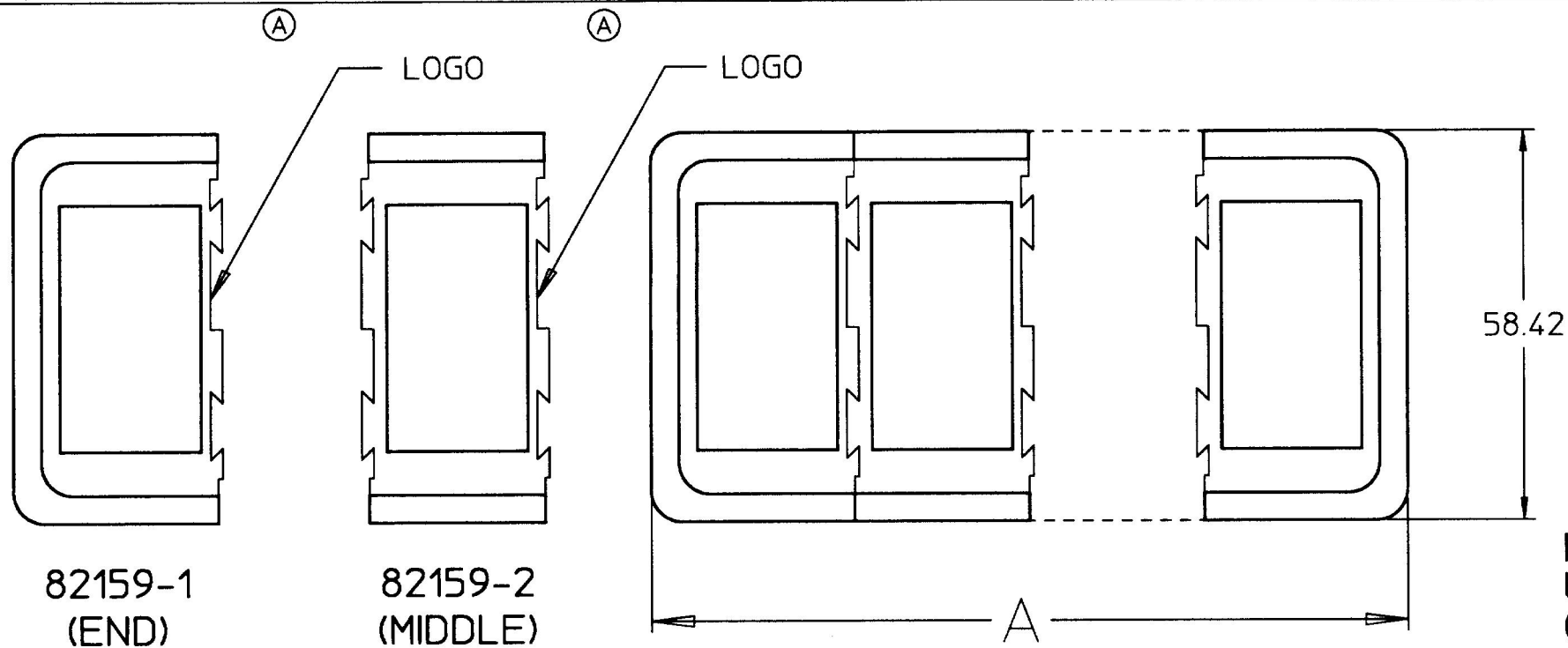


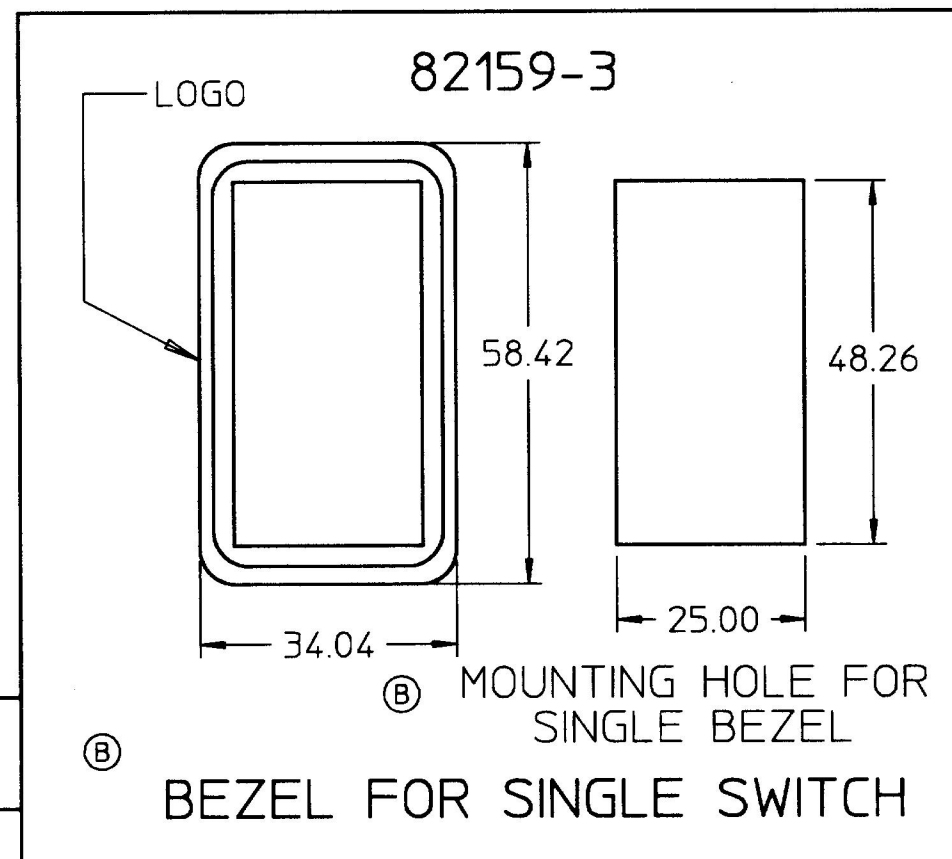
MM	IN
25.00	0.984
26.16	1.030
34.04	1.340
48.26	1.900
51.31	2.020
58.42	2.300
60.20	2.370
86.36	3.400
112.52	4.430



MOUNTING HOLE SIZE FOR 2 UNITS
(ADD 26.16 PER EACH ADDITIONAL UNIT)

METRIC

4	82159-1 82159-2	2 2	112.52
3	82159-1 82159-2	2 1	86.36
2	82159-1	2	60.20
①	82159-3		
NO. SWITCHES	BRACKET NO.	QTY	DIM "A"



② MOUNTING HOLE FOR SINGLE BEZEL
BEZEL FOR SINGLE SWITCH

① NOTE:
1. COLE HERSEE LOGO INK STAMPED AT RANDOM LOCATION IN AREA SHOWN

DO NOT SCALE

LET.	WAS	DATE	BY	LET.	WAS	DATE	BY	MATERIAL	DRAWN	CHK	APVD	SCALE	DATE DRAWN
									MJT	DB		1:1	1/22/93
				B	ADDED -3 ECN 26569	3/17/97	CHW	FINISH	Cole Hersee Co. 20 OLD COLONY AVENUE, BOSTON, MA., U.S.A. 02127				DATE BLUEPRINTED
				A	ECN 25520	1/18/94	BL	TOLERANCES DECIMAL ± ANGLE ±	BEZEL ASSEMBLY				82159
					ISSUED	6/14/93	AF						