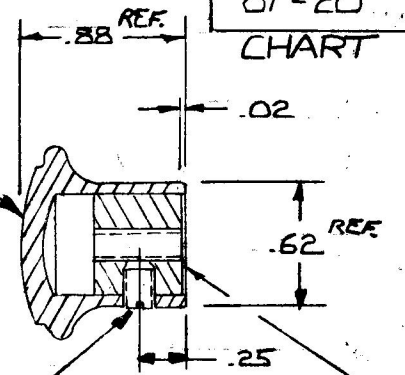
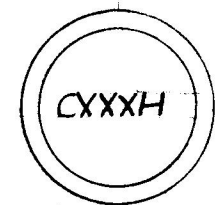


8138 - 20	8138-3 (TAN)	LIGHTS	WHITE	I
-19	8138-1 (BLACK)	≡ D	WHITE	III
-18	8138-1 (BLACK)	☂	WHITE	III
-17	8138-1 (BLACK)	MARKER LAMPS	WHITE	II
-16	8138-1 (BLACK)	WARNING LIGHTS	WHITE	II
-15	8138-1 (BLACK)	ACCESSORY	WHITE	I
-14	8138-1 (BLACK)	PARK	WHITE	I
-13	8138-4 (YELLOW)	NONE	NONE	—
-12	8138-1 (BLACK)	HAZARD	WHITE	I
-11	8138-1 (BLACK)	B.O. DRIVE	WHITE	II
-10	8138-5 (OLIVE)	B.O. DRIVE	WHITE	II
-09	8138-5 (OLIVE)	PANEL LIGHTS	WHITE	II
-08	8138-1 (YELLOW)	ELECTRIC CLUTCH	BLACK	II
-07	8138-1 (BLACK)	PANEL LIGHTS	WHITE	II
-06	8138-1 (BLACK)	LIGHTS	WHITE	I
-05	8138-1 (BLACK)	HEATER	WHITE	I
-04	8138-1 (BLACK)	DEFROST	WHITE	I
-03	8138-1 (BLACK)	NONE	—	—
-02	8138-1 (BLACK)	CLUTCH	WHITE	III 97302
8138-01	8138-1 (BLACK)	≡ D	WHITE	III 97301
PART NO	KNOB NO (COLOR)	WORDING OR SYMBOL	COLOR	STYLE

IMPRINTING

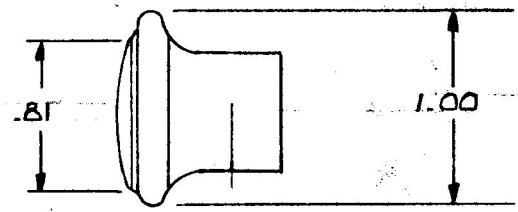
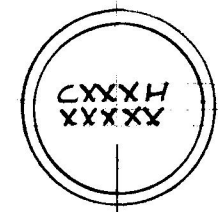
8138
01-20
CHART

8138 KNOB
SEE CHART



"STYLE I"
#8-32 TAPPED HOLE
1/32 x 45° CHAMFER

BO263 INSERT
ALUM #10-32 THD
B200 SET SCREW
STEEL #8-32



SET SCREW

"STYLE II" (STYLE I EXCEPT IMPRINTING)

"STYLE III" (STYLE I EXCEPT IMPRINTING)

NOTE: SEE SEPARATE DRAWING FOR IMPRINTING

DO NOT SCALE

LET.	WAS	DATE	BY	LET.	WAS	DATE	BY	MATERIAL	DRAWN	CHECKED	APPR'V'D.	SCALE	DATE DRAWN
								— # —	DVS	RF		1:1	3-14-46
								FINISH					DATE BLUEPRINT
								— # —					
				Z	#DDED-20 AND #2-21, -22	11/29/92	JH	TOLERANCES	 20 OLD COLONY AVENUE, SOUTH BOSTON, MA. U.S.A. 02127				8138
				Y	RE DRAWN NO CHG	4-5-88	JK	DECIMAL ± .005 METRIC ±					KNOB