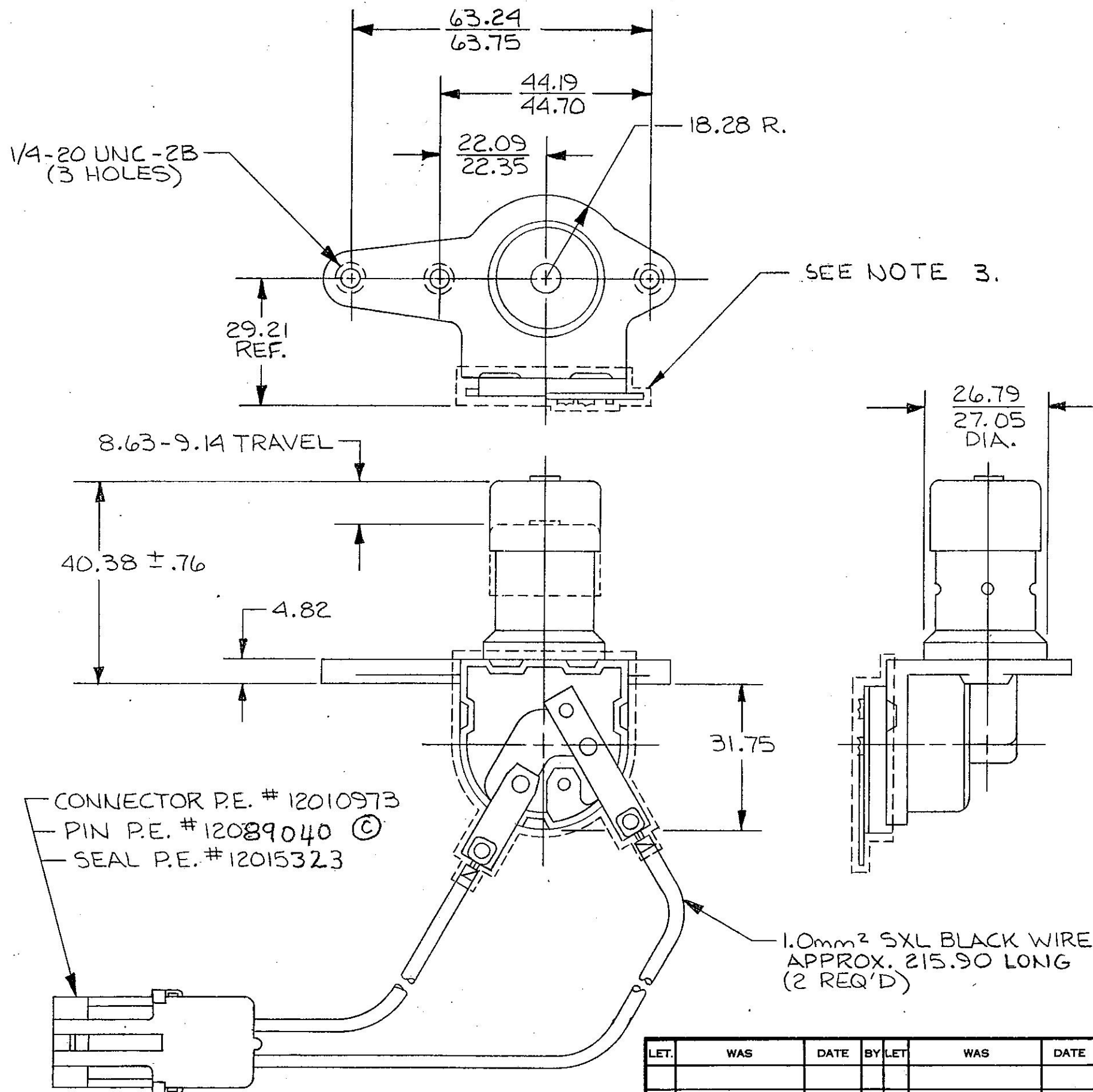


.76	.030
1.82	.190
3.63	.340
5.14	.360
3.28	.720
2.09	.870
2.35	.880
6.19	1.055
7.05	1.065
9.21	1.150
11.75	1.250
15.56	1.400
10.38	1.590
14.19	1.740
14.70	1.760
33.24	2.490
33.75	2.510
15.90	8.500
.0mm ²	16 GA

COLE-HERSEE CO.

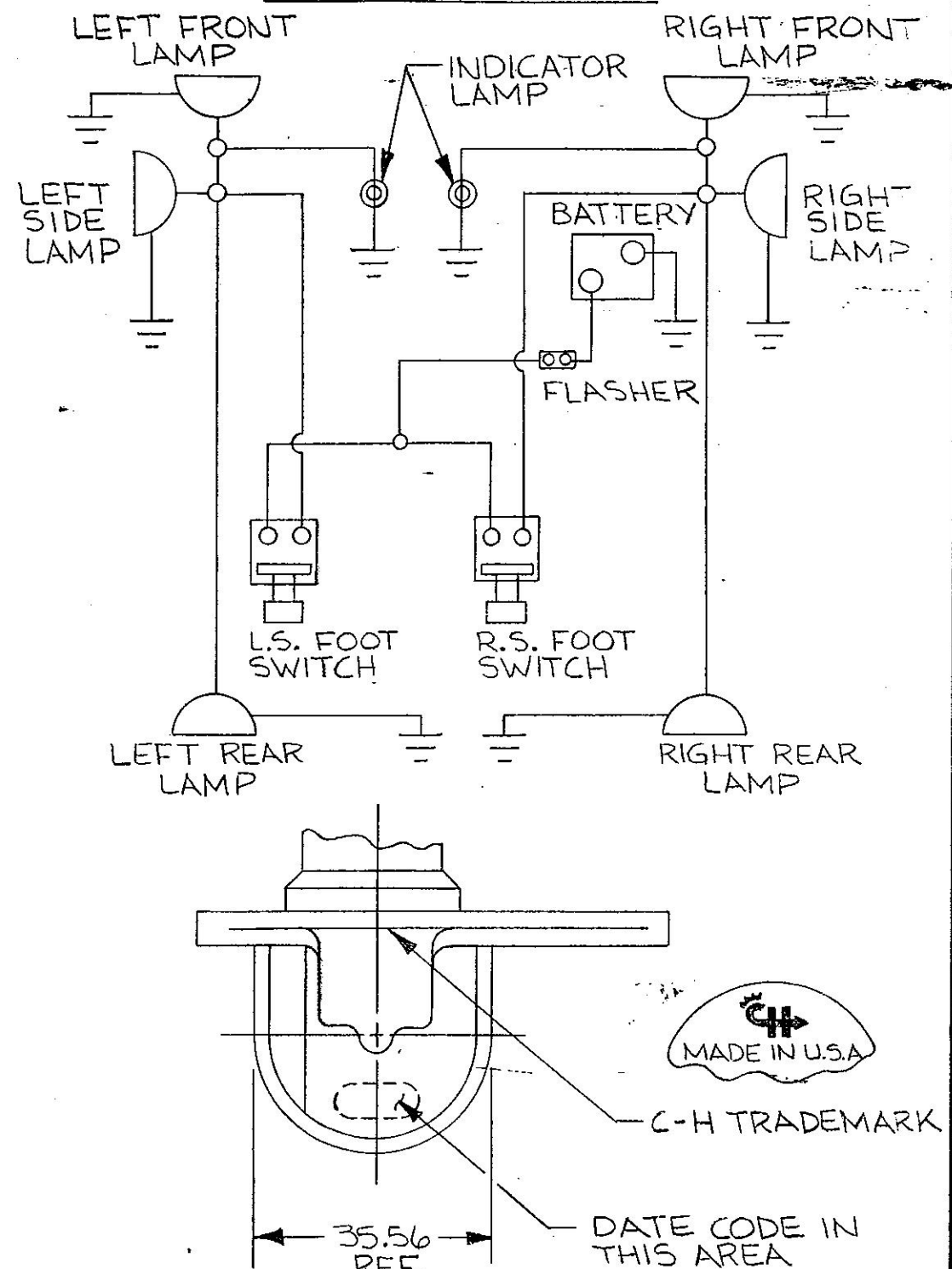
EX22603

BRUNING 40-21 40164



WIRING DIAGRAM

7792-03



- NOTES:
- 1. SWITCH NORMALLY OPEN
 - 2. WATER-RESISTANT
 - 3. HENCOL SEAL #22 SHOWN [Ⓐ]
- [Ⓑ] DOTTED

DO NOT SCALE

LET.	WAS	DATE	BY	LET	WAS	DATE	BY	MATERIAL	DRAWN	CHECKED	APPR'D.	SCALE	DATE DRAWN
									LIZ			1:1	12-10-57
				C	ECN 07073	2/28/57	SG	FINISH					DATE BLUEPRINT
				B	ECN 03261	7/16/53	ML						
				A	ELN 24159	10/17/50	JK	TOLERANCES					
					ISSUED	1-12-89	AF	DECIMAL ± .010	TURN SIGNAL SWITCH 7792-03				
							METRIC ± .25						

CH Cole Hersee Co.
24 OLD COLONY AVENUE, SOUTH BOSTON, MA, U.S.A. 02137

METRIC