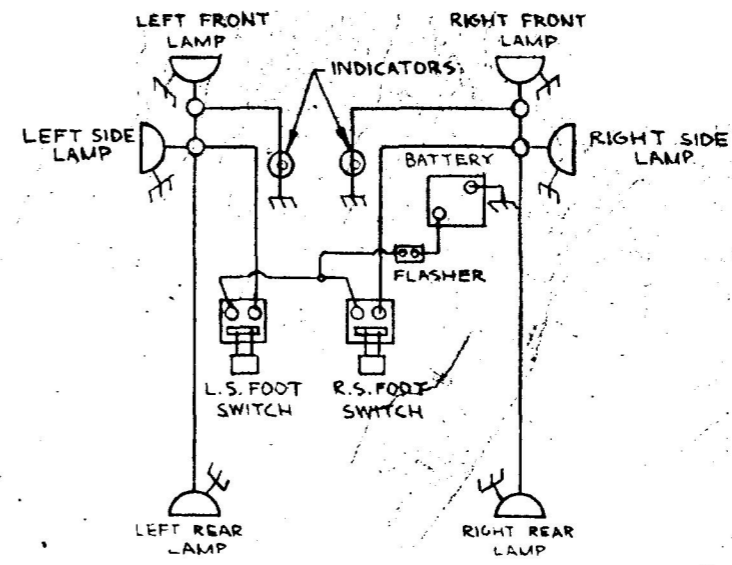
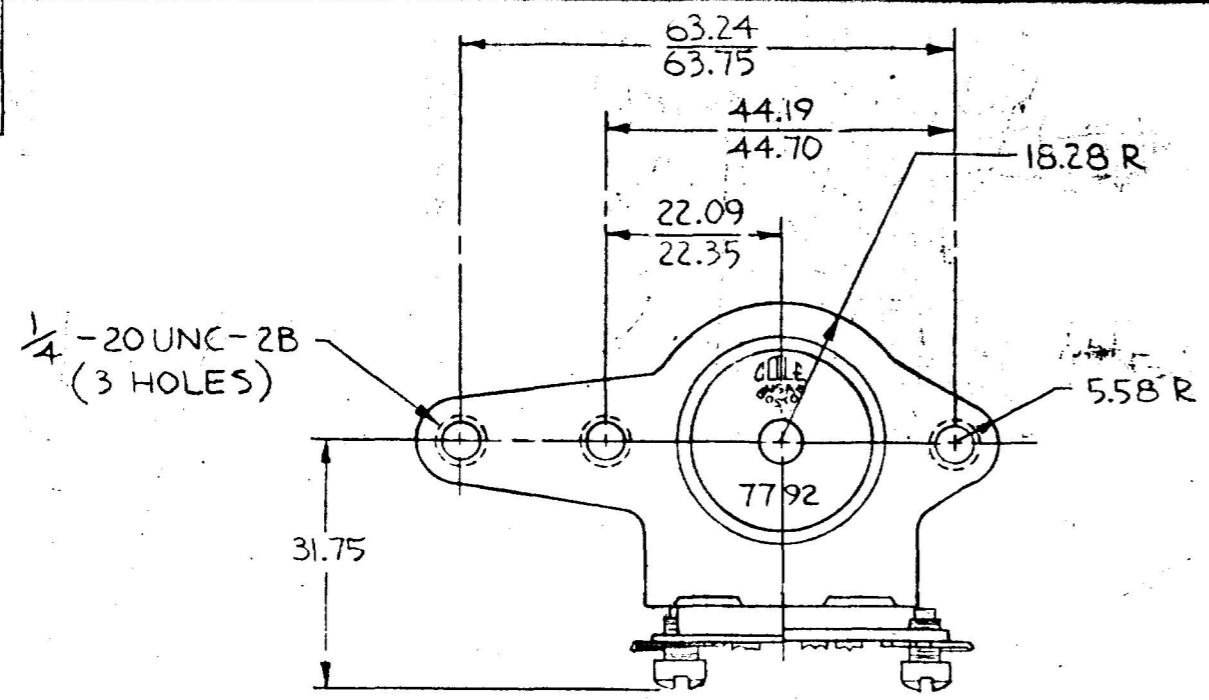


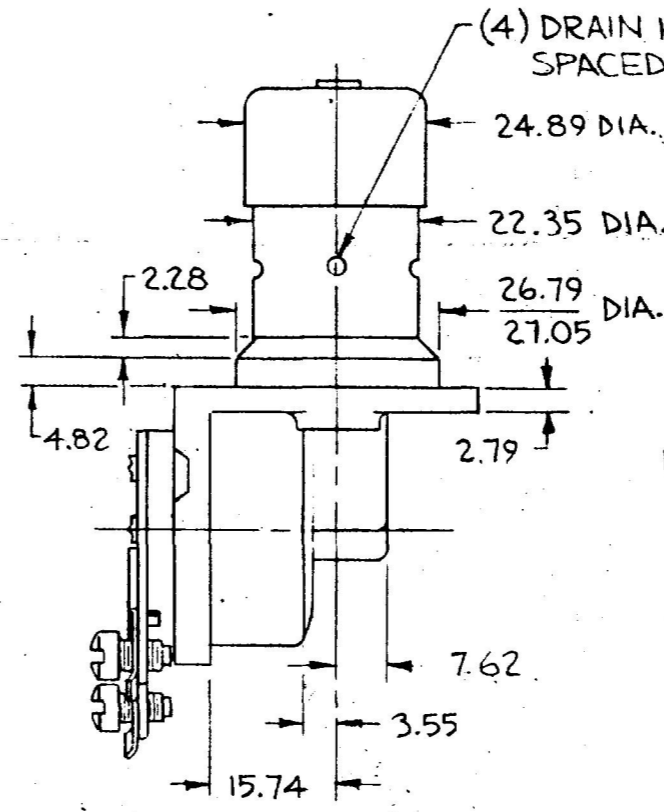
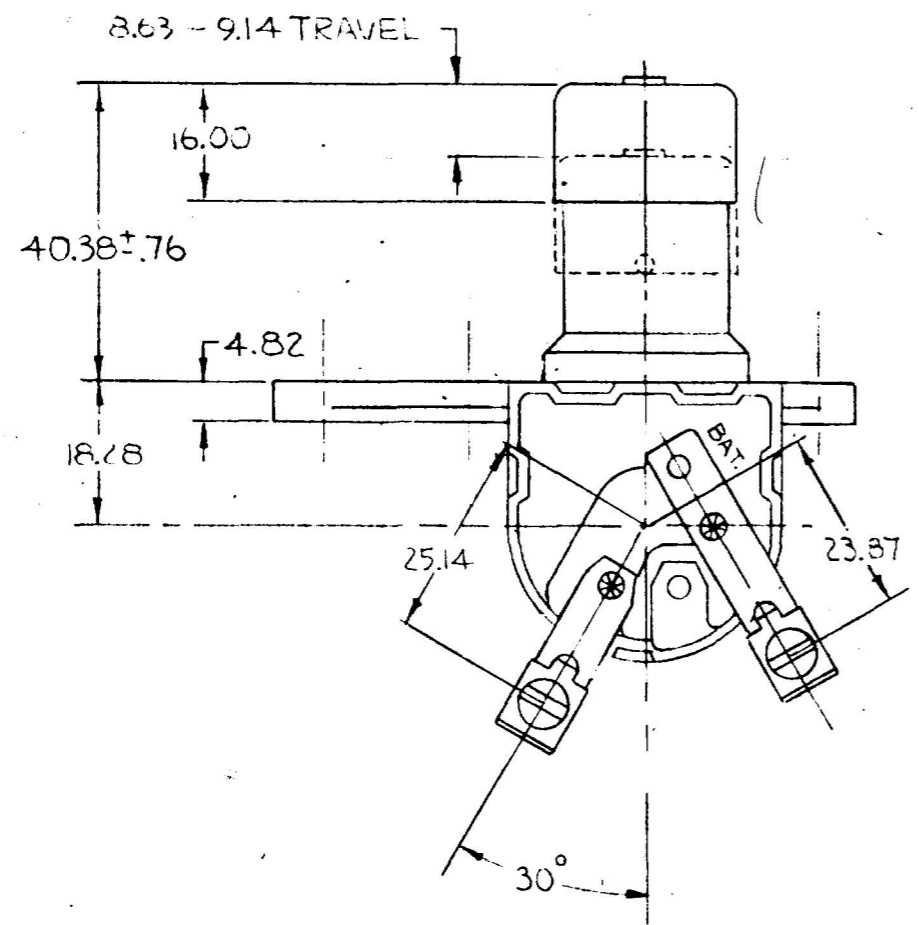
MM. IN.
 0.50 .020
 1.00 .040
 1.50 .060
 2.00 .080
 2.50 .100
 3.00 .120
 3.50 .140
 4.00 .160
 4.50 .180
 5.00 .200
 5.50 .220
 6.00 .240
 6.50 .260
 7.00 .280
 7.50 .300
 8.00 .315
 8.50 .330
 9.00 .348
 9.50 .363
 10.00 .375
 10.50 .390
 11.00 .405
 11.50 .420
 12.00 .435
 12.50 .450
 13.00 .465
 13.50 .480
 14.00 .495
 14.50 .510
 15.00 .525
 15.50 .540
 16.00 .555
 16.50 .570
 17.00 .585
 17.50 .600
 18.00 .615
 18.50 .630
 19.00 .645
 19.50 .660
 20.00 .675
 20.50 .690
 21.00 .705
 21.50 .720
 22.00 .735
 22.50 .750
 23.00 .765
 23.50 .780
 24.00 .795
 24.50 .810
 25.00 .825
 25.50 .840
 26.00 .855
 26.50 .870
 27.00 .885
 27.50 .900
 28.00 .915
 28.50 .930
 29.00 .945
 29.50 .960
 30.00 .975
 30.50 .990
 31.00 1.005
 31.50 1.020
 32.00 1.035
 32.50 1.050
 33.00 1.065
 33.50 1.080
 34.00 1.095
 34.50 1.110
 35.00 1.125
 35.50 1.140
 36.00 1.155
 36.50 1.170
 37.00 1.185
 37.50 1.200
 38.00 1.215
 38.50 1.230
 39.00 1.245
 39.50 1.260
 40.00 1.275
 40.50 1.290
 41.00 1.305
 41.50 1.320
 42.00 1.335
 42.50 1.350
 43.00 1.365
 43.50 1.380
 44.00 1.395
 44.50 1.410
 45.00 1.425
 45.50 1.440
 46.00 1.455
 46.50 1.470
 47.00 1.485
 47.50 1.500
 48.00 1.515
 48.50 1.530
 49.00 1.545
 49.50 1.560
 50.00 1.575
 50.50 1.590
 51.00 1.605
 51.50 1.620
 52.00 1.635
 52.50 1.650
 53.00 1.665
 53.50 1.680
 54.00 1.695
 54.50 1.710
 55.00 1.725
 55.50 1.740
 56.00 1.755
 56.50 1.770
 57.00 1.785
 57.50 1.800
 58.00 1.815
 58.50 1.830
 59.00 1.845
 59.50 1.860
 60.00 1.875
 60.50 1.890
 61.00 1.905
 61.50 1.920
 62.00 1.935
 62.50 1.950
 63.00 1.965
 63.50 1.980
 64.00 1.995
 64.50 2.010
 65.00 2.025
 65.50 2.040
 66.00 2.055
 66.50 2.070
 67.00 2.085
 67.50 2.100
 68.00 2.115
 68.50 2.130
 69.00 2.145
 69.50 2.160
 70.00 2.175
 70.50 2.190
 71.00 2.205
 71.50 2.220
 72.00 2.235
 72.50 2.250
 73.00 2.265
 73.50 2.280
 74.00 2.295
 74.50 2.310
 75.00 2.325
 75.50 2.340
 76.00 2.355
 76.50 2.370
 77.00 2.385
 77.50 2.400
 78.00 2.415
 78.50 2.430
 79.00 2.445
 79.50 2.460
 80.00 2.475
 80.50 2.490
 81.00 2.505
 81.50 2.520
 82.00 2.535
 82.50 2.550
 83.00 2.565
 83.50 2.580
 84.00 2.595
 84.50 2.610
 85.00 2.625
 85.50 2.640
 86.00 2.655
 86.50 2.670
 87.00 2.685
 87.50 2.700
 88.00 2.715
 88.50 2.730
 89.00 2.745
 89.50 2.760
 90.00 2.775
 90.50 2.790
 91.00 2.805
 91.50 2.820
 92.00 2.835
 92.50 2.850
 93.00 2.865
 93.50 2.880
 94.00 2.895
 94.50 2.910
 95.00 2.925
 95.50 2.940
 96.00 2.955
 96.50 2.970
 97.00 2.985
 97.50 3.000
 98.00 3.015
 98.50 3.030
 99.00 3.045
 99.50 3.060
 100.00 3.075

7792-01

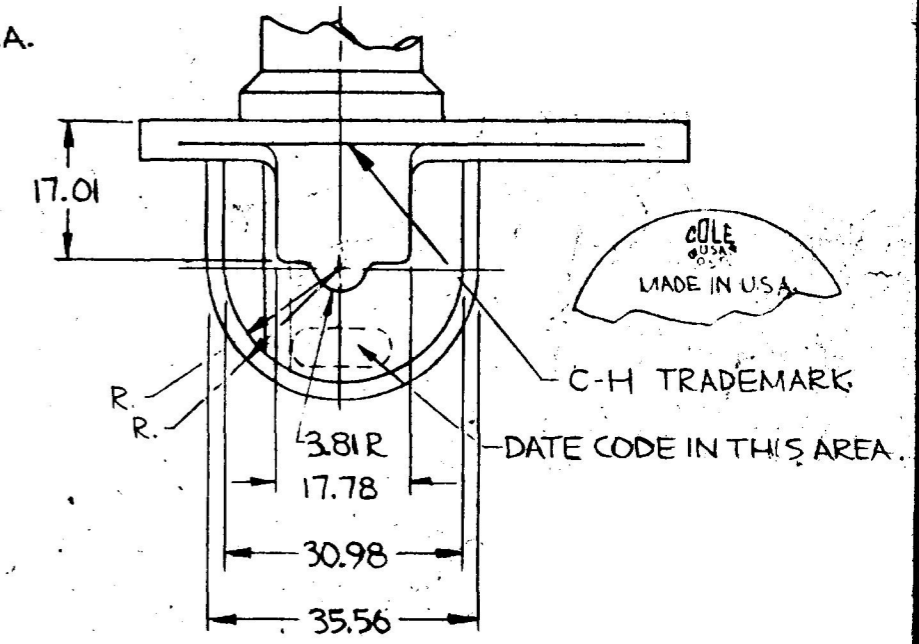


CASE, DIE CAST ZINC, DICHROMATE
 TERMINALS, STEEL, ZINC PLT.
 BUTTON, STEEL, ZINC PLT.
 CONTACTOR, COPPER CADMIUM

WIRING DIAGRAM



(4) DRAIN HOLES EQUALLY SPACED ABOVE SEAL.



COLE-HERSEE CO
 NPM

METRIC

LET	WAS	DATE	BY	LET	WAS	DATE	BY	MATERIAL	DRAWN	CHECKED	APPR'D	SCALE	BASIC LESS	DATE DRAWN
								H	VK	8/28/78		1:1	HENCOL SEAL #22	8-11-78
								H	COLE-HERSEE COMPANY BOSTON, MASS. 02127, U.S.A.					DATE BLUEPRINT
								TOLERANCES FRACTIONAL ± DECIMAL ±0.50						TURN SIGNAL SWITCH

DO NOT SCALE