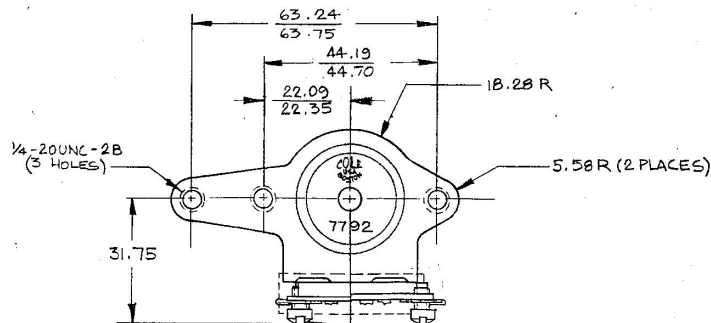
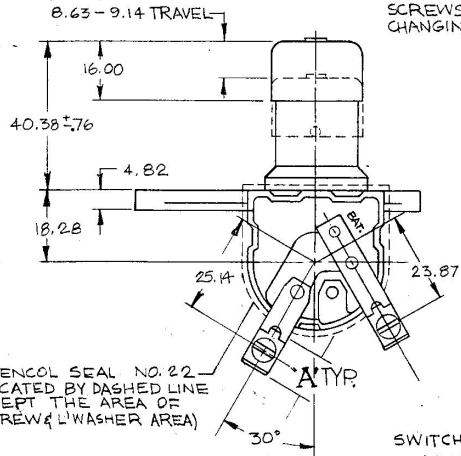


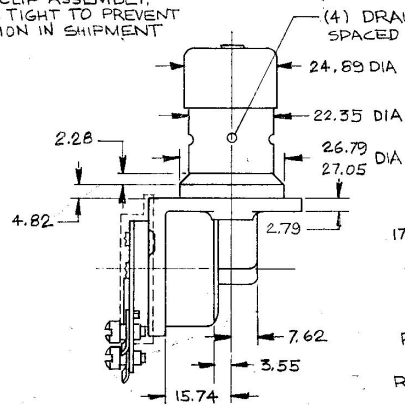
MM	IN
0.50	.020
0.76	.030
2.75	.100
2.25	.090
3.55	.140
3.81	.150
4.82	.190
5.58	.220
6.25	.250
8.25	.340
9.14	.360
7.62	.300
15.74	.620
16.00	.630
17.01	.670
17.78	.700
18.25	.720
23.09	.910
22.25	.880
23.57	.940
24.50	.980
25.14	.990
26.79	1.055
27.05	1.065



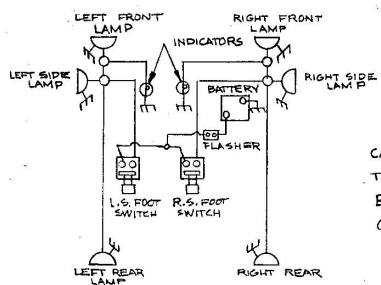
TERMINAL SCREWS TO BE ASSEMBLED WITH CLEARANCE FOR TERMINAL CLIP ASSEMBLY. SCREWS TO BE TIGHT TO PREVENT CHANGING POSITION IN SHIPMENT



HENCOL SEAL NO. 22 AS INDICATED BY DASHED LINE AREA EXCEPT THE AREA OF DIM 'A' (SCREW/WASHER AREA)

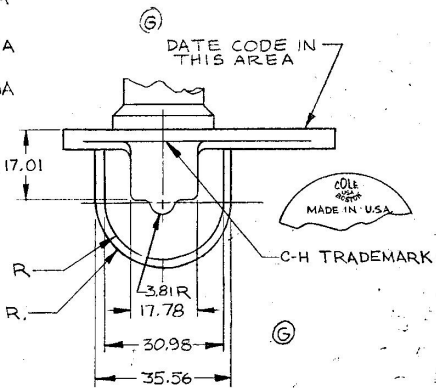


SWITCH NORMALLY OPEN WATER-RESISTANT (H)



WIRING DIAGRAM

CASE DIE CAST DIOCHROMATE  
TERMINALS STEEL ZINC PLT.  
BUTTON, STEEL, ZINC PLT  
CONTACTOR, COPPER CADMIUM



Confidential Property of Cole Hersee

METRIC

LET.	WAS	DATE	BY	LET.	WAS	DATE	BY	MATERIAL	DRAWN	CHECKED	APPROV.	SCALE	DO NOT SCALE	DATE DRAWN
									JAV			1=1		2-2-78
								FINISH						DATE BLUEPRINT
				H	ECN 03261	7/16/83	M.L		Cole Hersee Co. TURN SIGNAL SWITCH				7792	
				G	ECN 25135	5/24/81	BL	TOLERANCES						
				F	REDRAWN	5/26/89	RO	DECIMAL ± .50 METRIC ± .50						