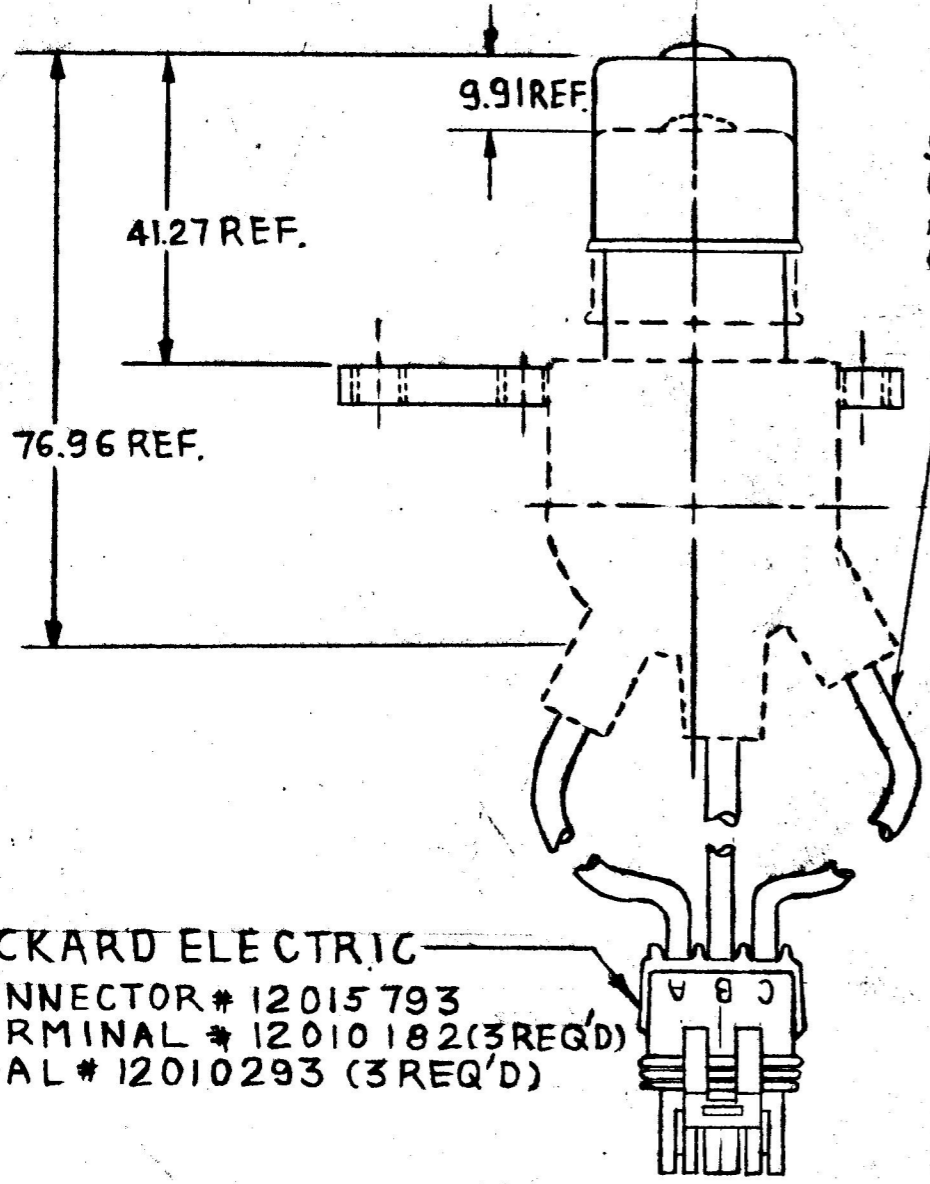
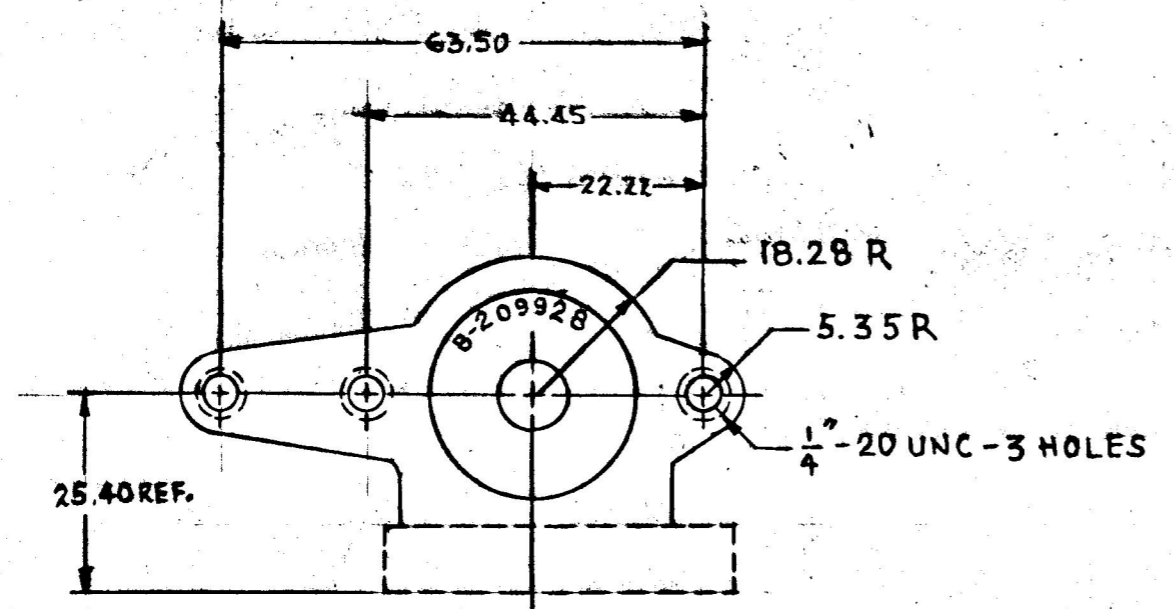


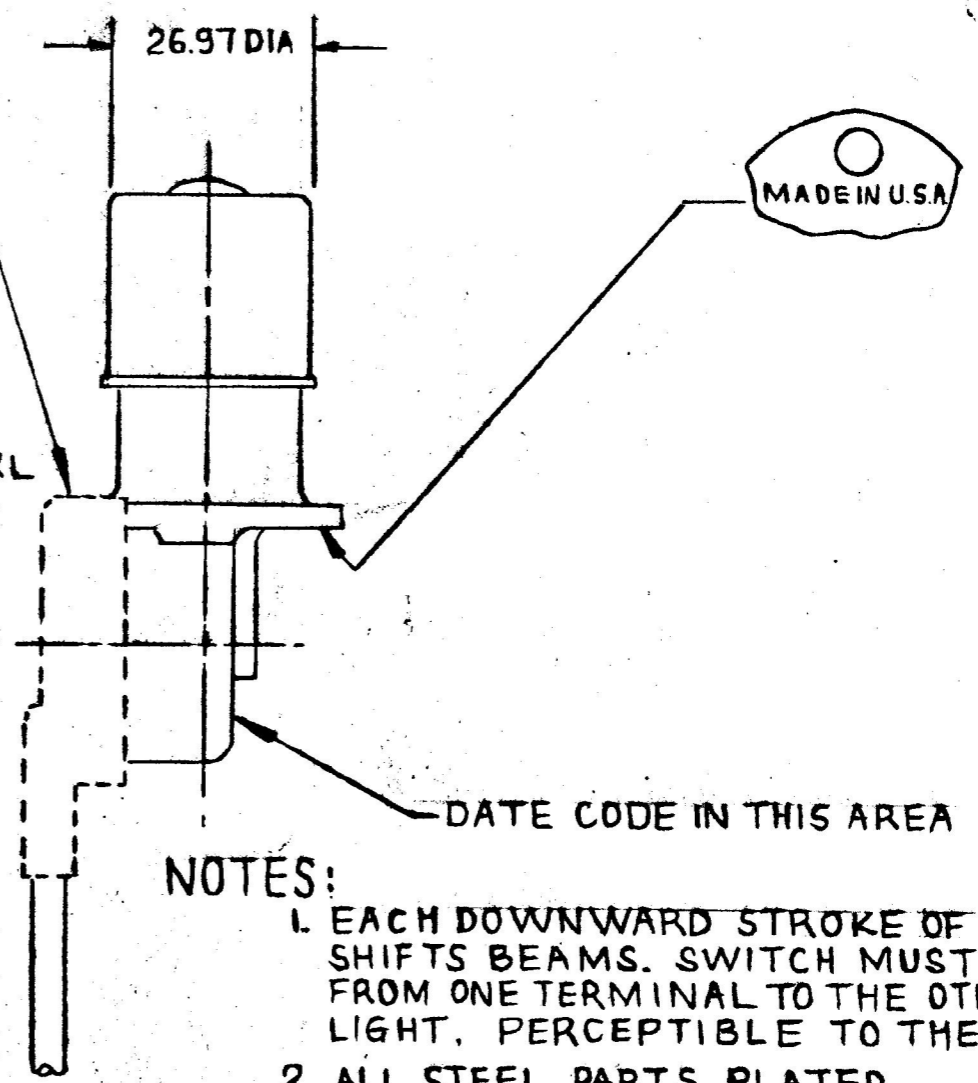
MM IN  
 5.35 211  
 9.91 390  
 18.28 759  
 27.22 875  
 36.40 1000  
 45.97 1062  
 54.27 1625  
 63.50 1750  
 72.96 2500  
 82.05 3148  
 91.05 5.750

COLE-HERSEE CO.  
 EX 23896



HENCOL SEAL # 12  
 SHOWN DOTTED. ALL  
 COMPONENTS WITHIN  
 AREAS SHOWN TO BE  
 COMPLETELY COVERED.

WIRE LEADS 1.0 mm<sup>2</sup> GXL  
 APPROX. 146.05 LONG  
 (3 REQ'D) ⓐ



NOTES:

1. EACH DOWNWARD STROKE OF THE PLUNGER SHIFTS BEAMS. SWITCH MUST CHANGE CIRCUIT FROM ONE TERMINAL TO THE OTHER W/OUT LOSS OF LIGHT, PERCEPTIBLE TO THE EYE.
2. ALL STEEL PARTS PLATED.

DO NOT SCALE

LET.	WAS	DATE	BY	LET.	WAS	DATE	BY	MATERIAL	DRAWN	CHECKED	APPRV'D.	SCALE	DATE DRAWN
								---	BL	AF		---	4-2-90
								FINISH	Cole Hersee Co. <small>20 OLD COLONY AVENUE SOUTH BOSTON, MA. U.S.A. 02127</small>				DATE BLUEPRINT
								TOLERANCES					DIMMER SWITCH
								DECIMAL ±					
								METRIC ±					

METRIC