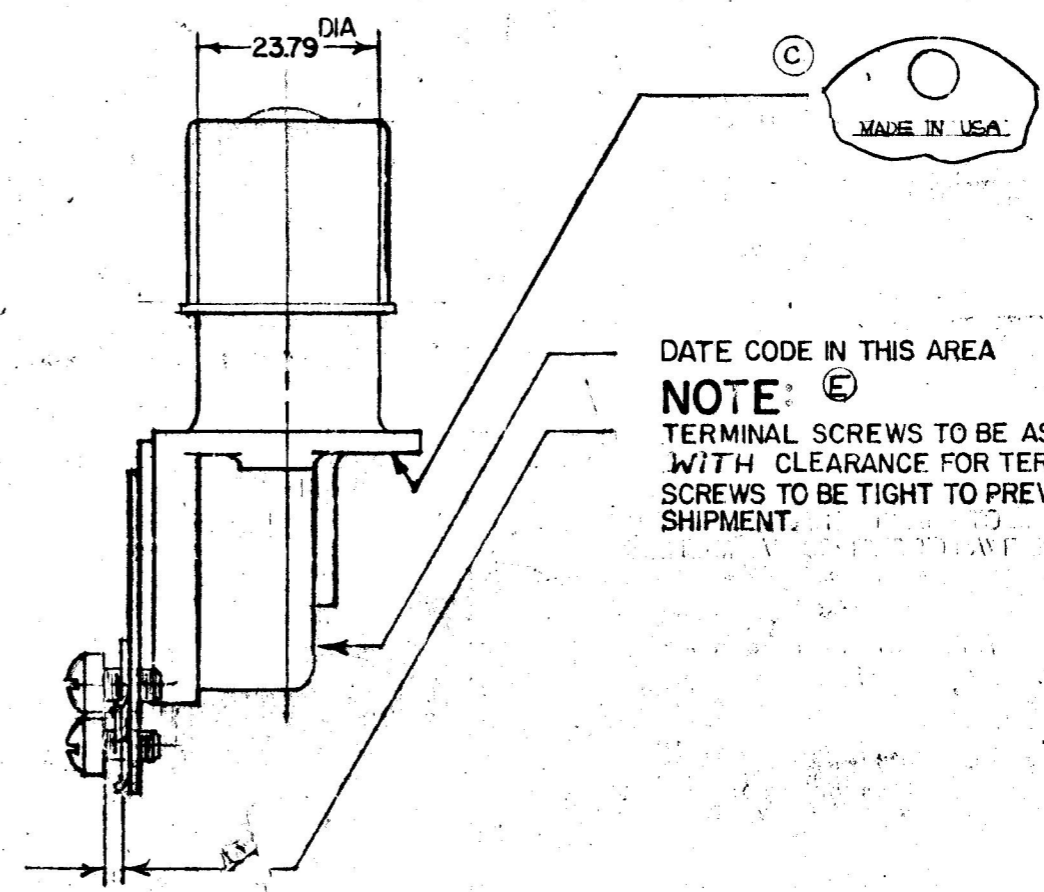
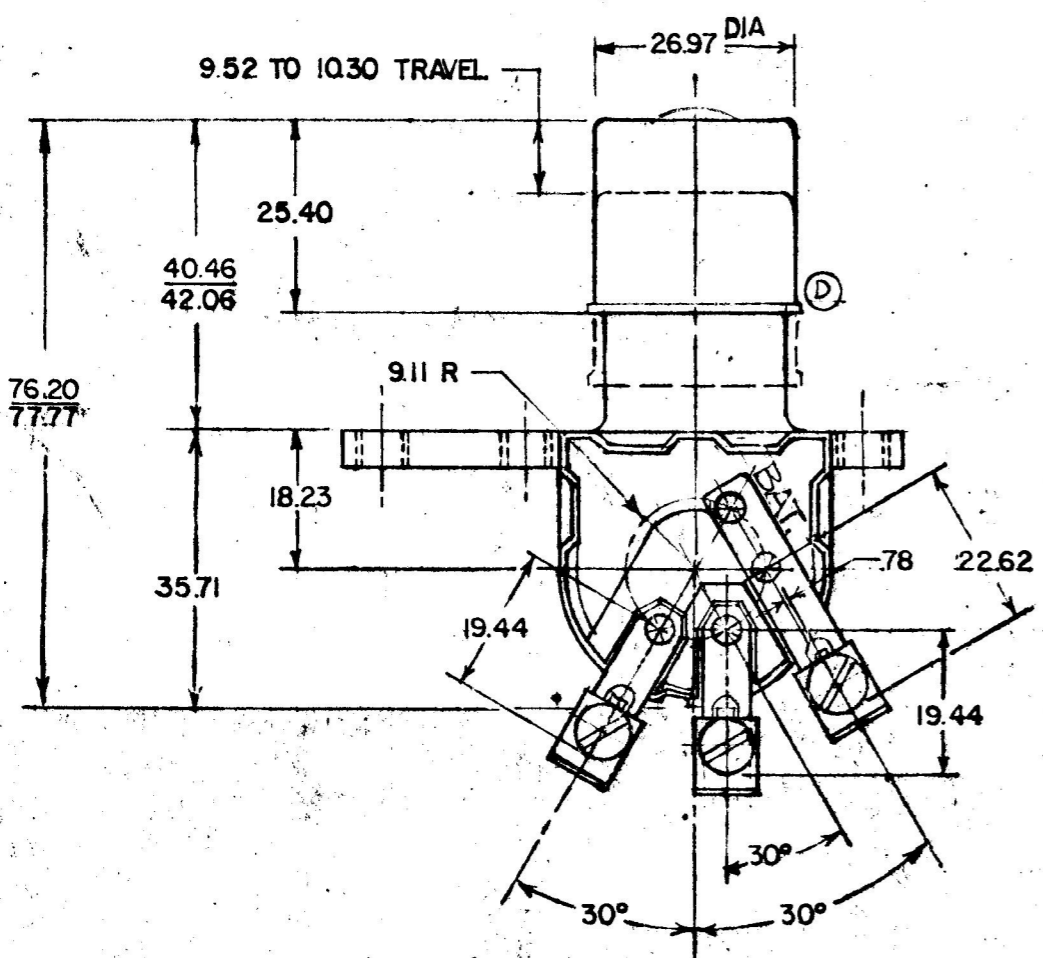
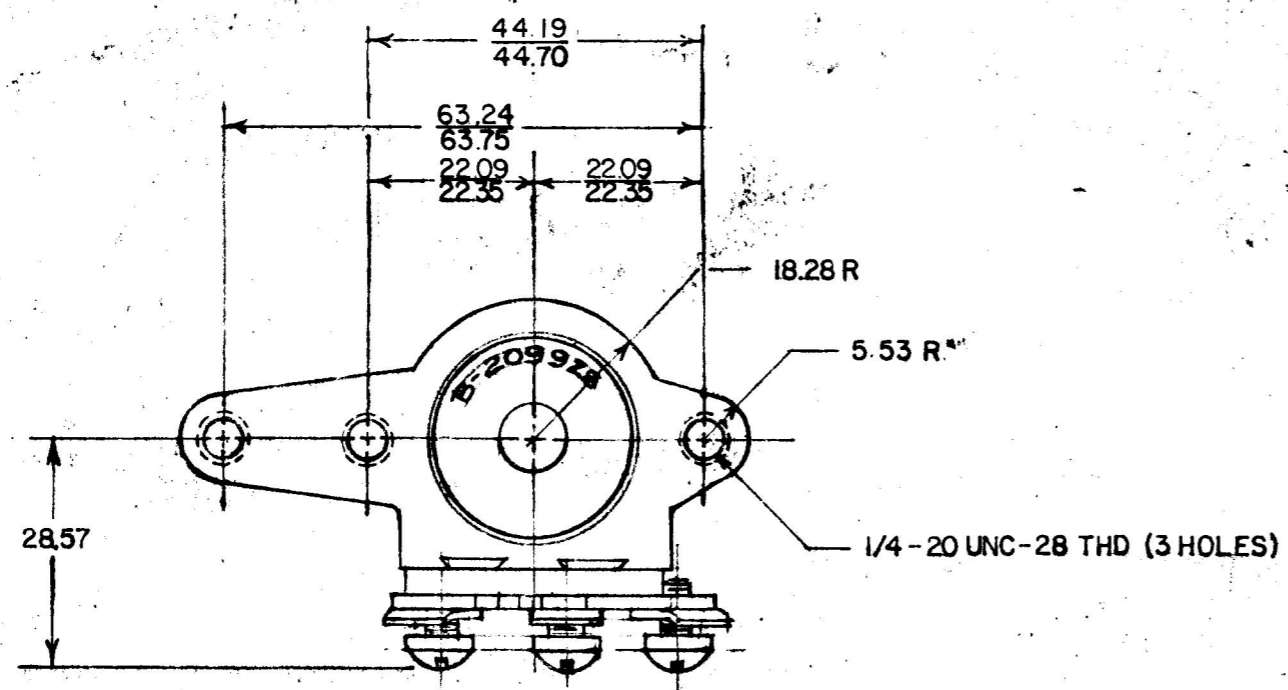


M/M IN
 .78 .031
 .164 .006
 .218 .008
 .250 .010
 .303 .012
 .352 .014
 .406 .016
 .457 .018
 .508 .020
 .559 .022
 .610 .024
 .661 .026
 .712 .028
 .763 .030
 .814 .032
 .865 .034
 .916 .036
 .967 .038
 1.018 .040
 1.069 .042
 1.120 .044
 1.171 .046
 1.222 .048
 1.273 .050
 1.324 .052
 1.375 .054
 1.426 .056
 1.477 .058
 1.528 .060
 1.579 .062
 1.630 .064
 1.681 .066
 1.732 .068
 1.783 .070
 1.834 .072
 1.885 .074
 1.936 .076
 1.987 .078
 2.038 .080
 2.089 .082
 2.140 .084
 2.191 .086
 2.242 .088
 2.293 .090
 2.344 .092
 2.395 .094
 2.446 .096
 2.497 .098
 2.548 .100
 2.599 .102
 2.650 .104
 2.701 .106
 2.752 .108
 2.803 .110
 2.854 .112
 2.905 .114
 2.956 .116
 3.007 .118
 3.058 .120



DATE CODE IN THIS AREA
NOTE: [Ⓔ]
 TERMINAL SCREWS TO BE ASSEMBLED WITH CLEARANCE FOR TERMINAL LOCKWASHER ASSEMBLY. SCREWS TO BE TIGHT TO PREVENT CHANGING POSITION IN SHIPMENT.

COLE-HERSEE CO.
 NFM 6-8-77

METRIC

ORDNANCE NO. R-209928

LET	WAS	DATE	BY	LET	WAS	DATE	BY	MATERIAL	DRAWN	CHECKED	APPR'D.	SCALE	DATE DRAWN
									RMT	3-30-78		1:1	3-23-77
				E	NEWSEN	2-4-77		FINISH	COLE-HERSEE COMPANY BOSTON, MASS. 02127, U.S.A.				DATE BLUEPRINT
				D	REV	2-24-77							7786
				C	REV	1-3-79		TOLERANCES	DIMMER SWITCH				7786
				B	REDMAN	3-30-77		FRACTIONAL ± DECIMAL ±					

DO NOT SCALE