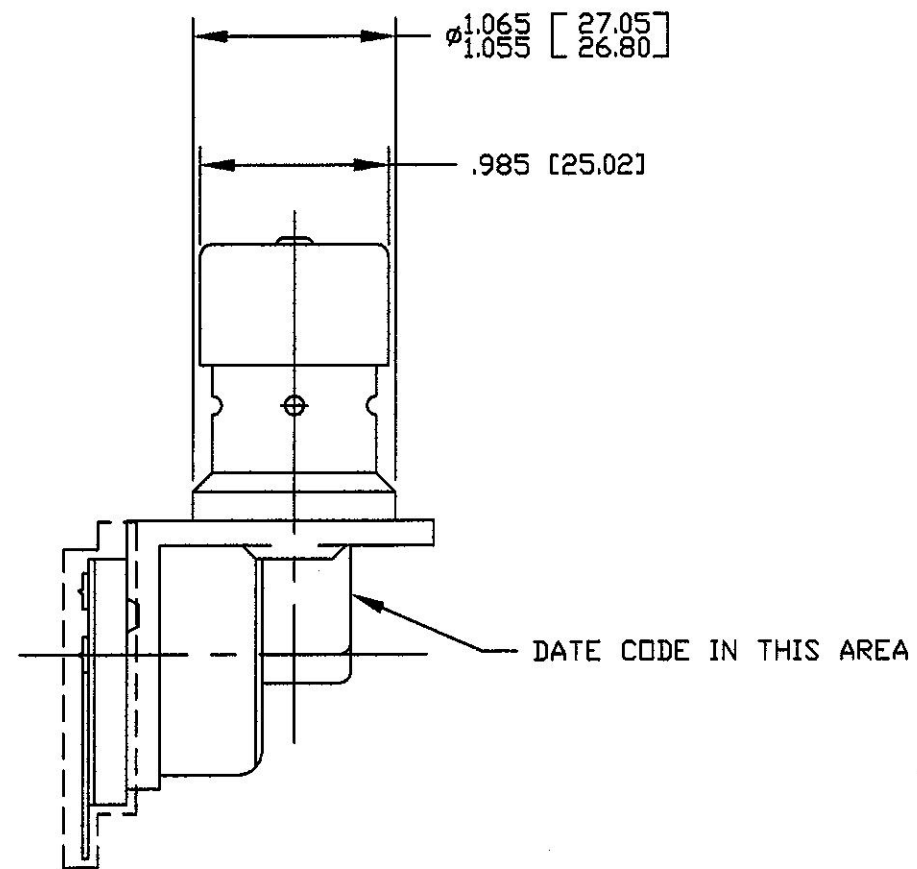
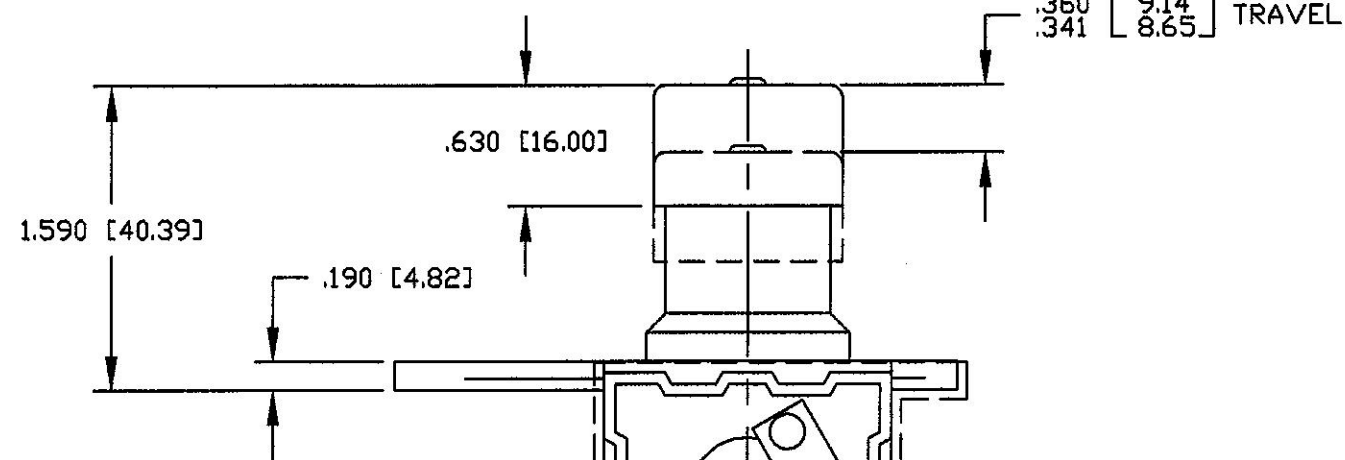
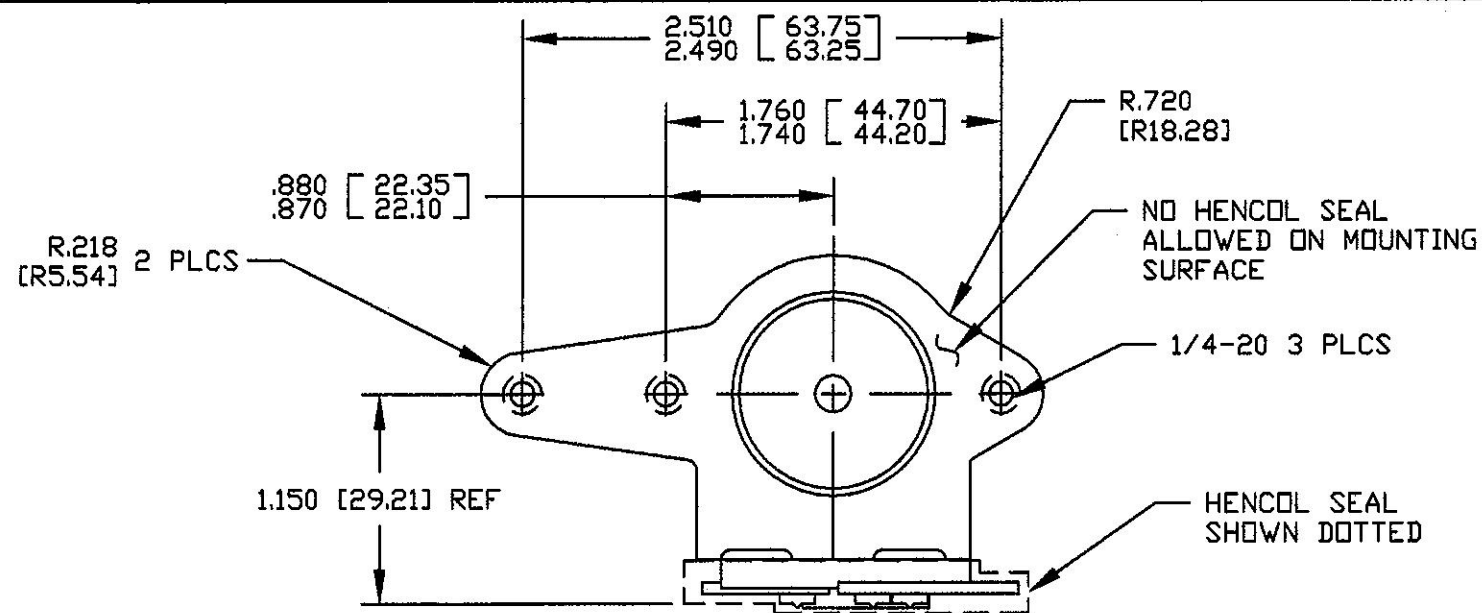


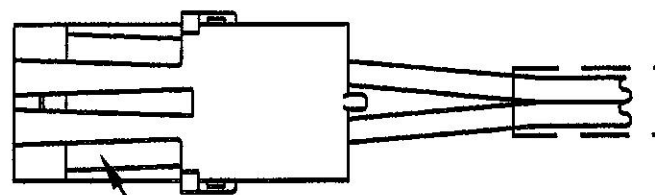
Revision Control Record			
Rev.	Description of Change	ECN No.	Date
A	RELEASED DRAWING	07070	03/02/07



16/2 GA [1.0 MM SQ/2] HEAVY WALL PVC RIP TYPE CABLE, CABLE COLORS BLUE & PURPLE, 22' [558] LONG

HENCOL SEAL #22 SHOWN DASHED, TO COVER TERMINALS, HOUSING & DOWN TO WIRE SPLIT ON CONNECTOR END

- NOTES:
 1. ALL DIMENSIONS ARE REFERENCE ONLY UNLESS NOTED OTHERWISE
 2. SWITCH IS NORMALLY OPEN



PACKARD CONNECTOR 12010973, PACKARD WIRE SEAL 12010293 (2 REQ'D), PACKARD TERMINAL 12124582 (2 REQ'D)

Tolerances: Unless otherwise specifically noted, the following are default tolerances:
 • 2-place Decimal Dimensions $\pm .03^{\circ}$
 • 3-place Decimal Dimensions $\pm .005^{\circ}$
 • Angular Dimensions $\pm 1.0^{\circ}$
 • Metric: Refer to equivalent English Dimension Tolerances
 >>> NOTE: All tolerances are Non-Cumulative. <<<

Dimensional Units: All dimensions are expressed in inches except those shown in brackets (xxx) are expressed in millimeters

***REF.* or an Asterisk (*) = Non-Toleranced Reference Dimension, shown for clarification purposes only.**

Used On or Ref: **EX28171R** Scale: **1:1**

PROPRIETARY INFORMATION: This Engineering Drawing, and the information contained herein, is proprietary to Cole Hersee Company and may not be disclosed, re-produced, or in any other way transferred or communicated to any other party without the express written consent of an authorized representative of Cole Hersee Company.

DESIGN CONTROL: It is the responsibility of the individual using / referencing this drawing to assure that the noted design revision level agrees with the revision level of the Controlled Document (Master Drawing). This is a NON-CONTROLLED DOCUMENT unless otherwise specifically noted.

DO NOT SCALE: Dimensional variation may occur during printing / reproduction.

Drawn By: **DPS** Date Drawn: **2/26/07**

Special Characteristics:

- Critical Characteristic, relating to Safety and/or Regulatory Compliance
- Significant Characteristic relating to Process Control (SPC)
- Control Dimension relating to Form - Fit - Function as defined by Cole Hersee Company and/or the Customer

(Note that the identification of any Characteristics as being "Special" does not alter the requirement that ALL specified dimensions & tolerances must be met.)

Responsible Engineer: **DPS** Pg. 1 of 1

Cole Hersee Co.
 20 Old Colony Ave., South Boston, MA, 02127
 Phn: 617-268-2100 Web: www.colehersee.com

Description: **SW, P-P, MOM, SPDT**

Drawing / Part No.: **7785-02** **A**