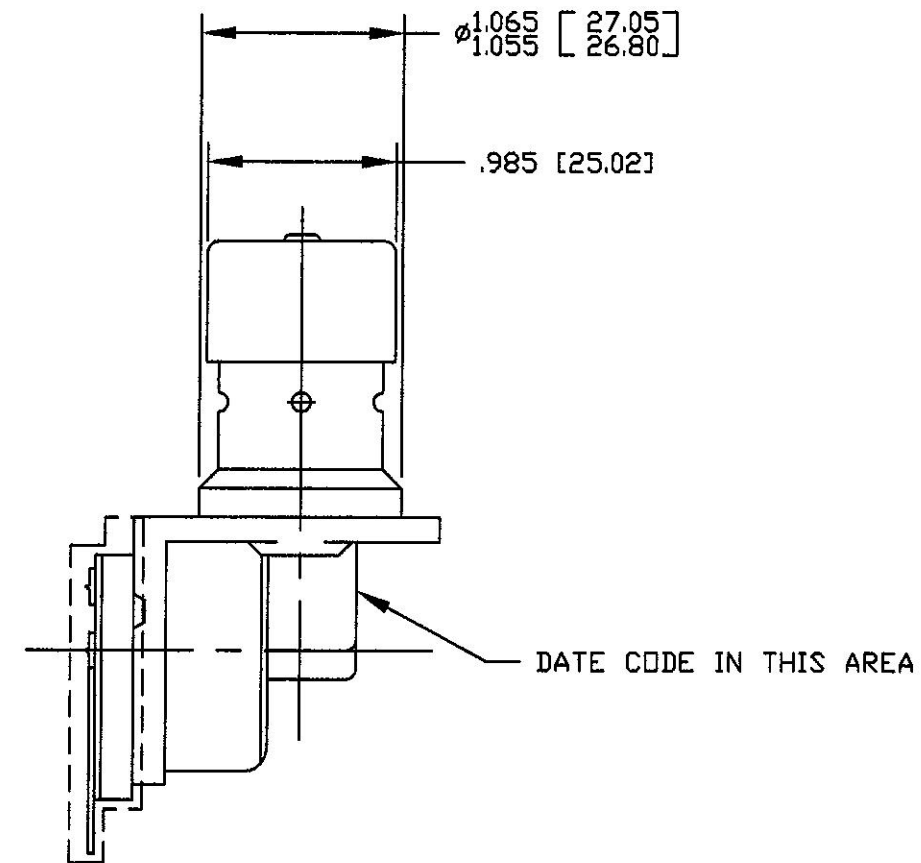
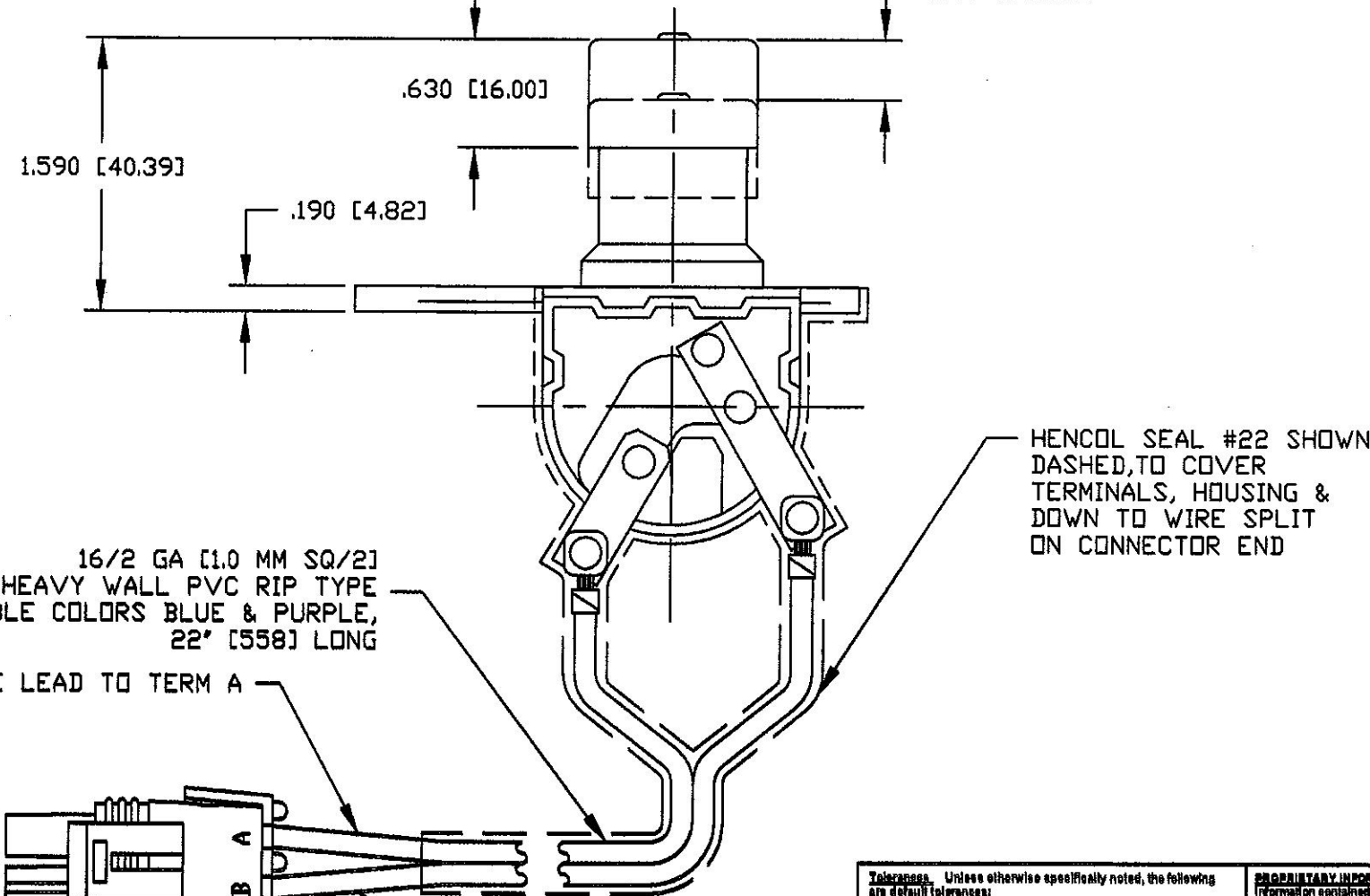
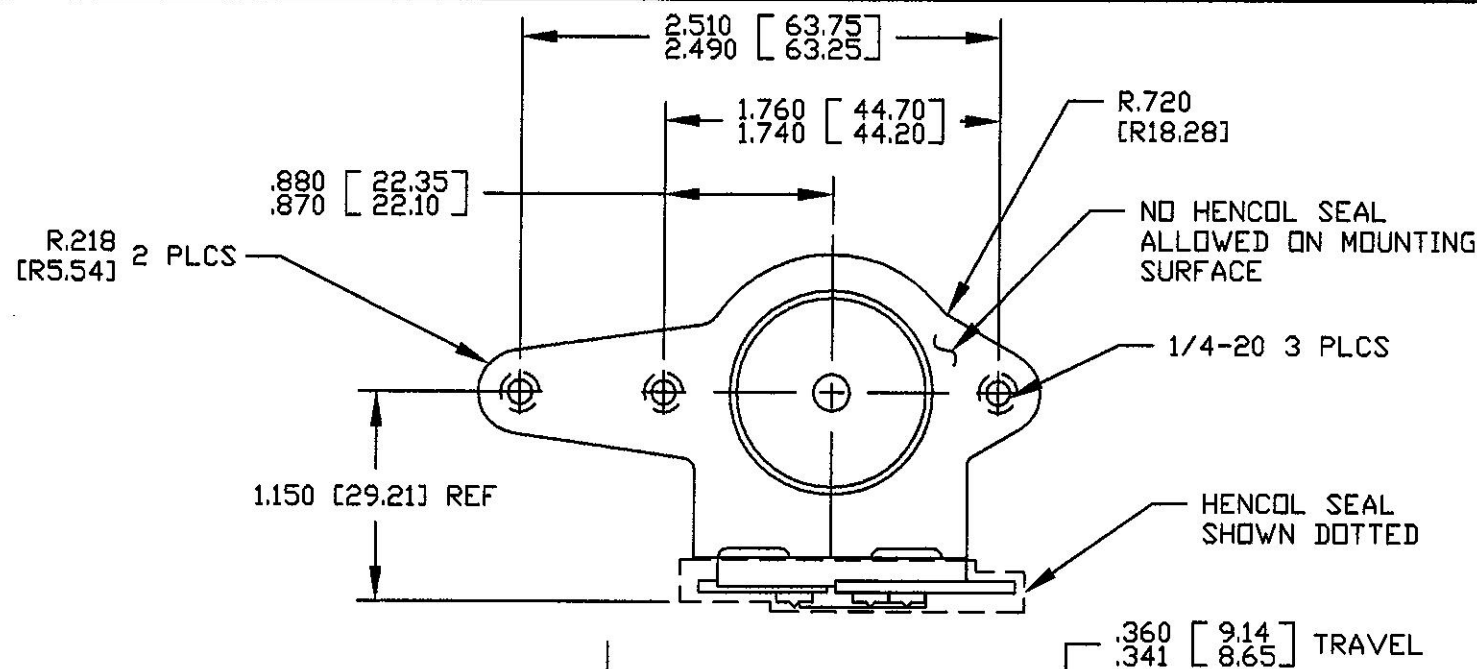


Revision Control Record

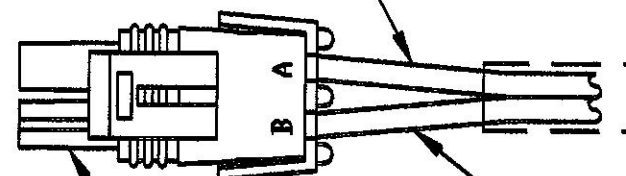
Rev.	Description of Change	ECN No.	Date
A	RELEASED DRAWING	07070	03/02/07



16/2 GA [1.0 MM SQ/2] HEAVY WALL PVC RIP TYPE CABLE, CABLE COLORS BLUE & PURPLE, 22' [558] LONG

PURPLE LEAD TO TERM A

BLUE LEAD TO TERM B



- NOTES:
 1. ALL DIMENSIONS ARE REFERENCE ONLY UNLESS NOTED OTHERWISE
 2. SWITCH IS NORMALLY OPEN

Tolerances. Unless otherwise specifically noted, the following are default tolerances:
 * 2-place Decimal Dimensions $\pm .02$ "
 * 3-place Decimal Dimensions $\pm .005$ "
 * Angular Dimensions ± 1.0 Deg.
 * Metric: Refer to equivalent English Dimension Tolerance
 >>> NOTE: All tolerances are Non-Cumulative. <<<

Dimensional Units. All dimensions are expressed in inches except those shown in brackets (xxx) are expressed in millimeters

ASME Y14.5M-2009 - Non-Toleranced Reference Dimension, shown for clarification purposes only.

PROPRIETARY INFORMATION. This Engineering Drawing, and the information contained herein, is proprietary to Cole Hersee Company and may not be disclosed, re-produced, or in any other way transferred or communicated to any other party without the express written consent of an authorized representative of Cole Hersee Company.

DESIGN CONTROL. It is the responsibility of the individual using/forwarding this drawing to assure that the noted design revision level agrees with the revision level of the Controlled Document (Master Drawing). This is a NON-CONTROLLED DOCUMENT unless otherwise specifically noted.

DO NOT SCALE. Dimensional variation may occur during printing/reproduction.

Special Characteristics

- Critical Characteristic, relating to Safety and/or Regulatory Compliance
 - Significant Characteristic relating to Process Control (SPC)
 - Control Dimension relating to Form - Fit - Function as defined by Cole Hersee Company and/or the Customer
- (Note that the identification of any Characteristics as being "Special" does not alter the requirement that ALL specified dimensions & tolerances must be met.)

Cole Hersee Co.
 20 Old Colony Ave., South Boston, MA, 02127
 Phone 617-266-2100 Web: www.colehersee.com

Description:
SW, P-P, MOM, SPDT

Drawing/Part No.: 7785-01

Revision: A

Used On or Ref:	EX28171	Scale:	1:1	Drawn By:	DPS	Date Drawn:	2/26/07	Responsible Engineer:	DPS	Pg. 1 of 1
-----------------	---------	--------	-----	-----------	-----	-------------	---------	-----------------------	-----	------------