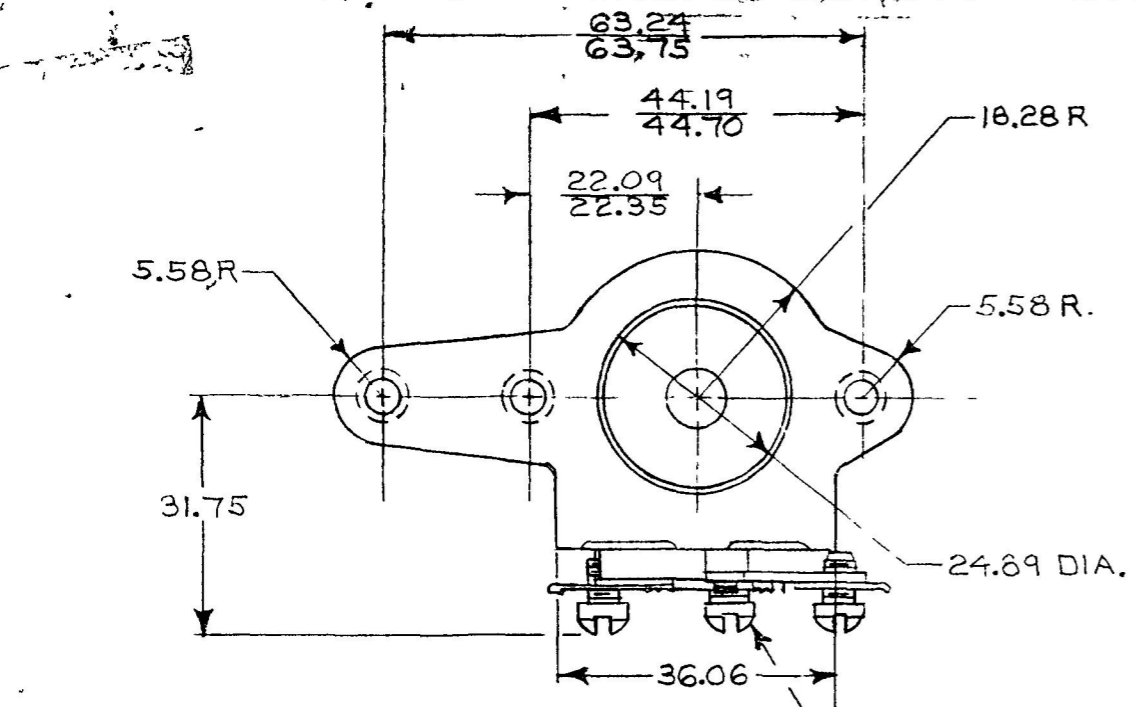
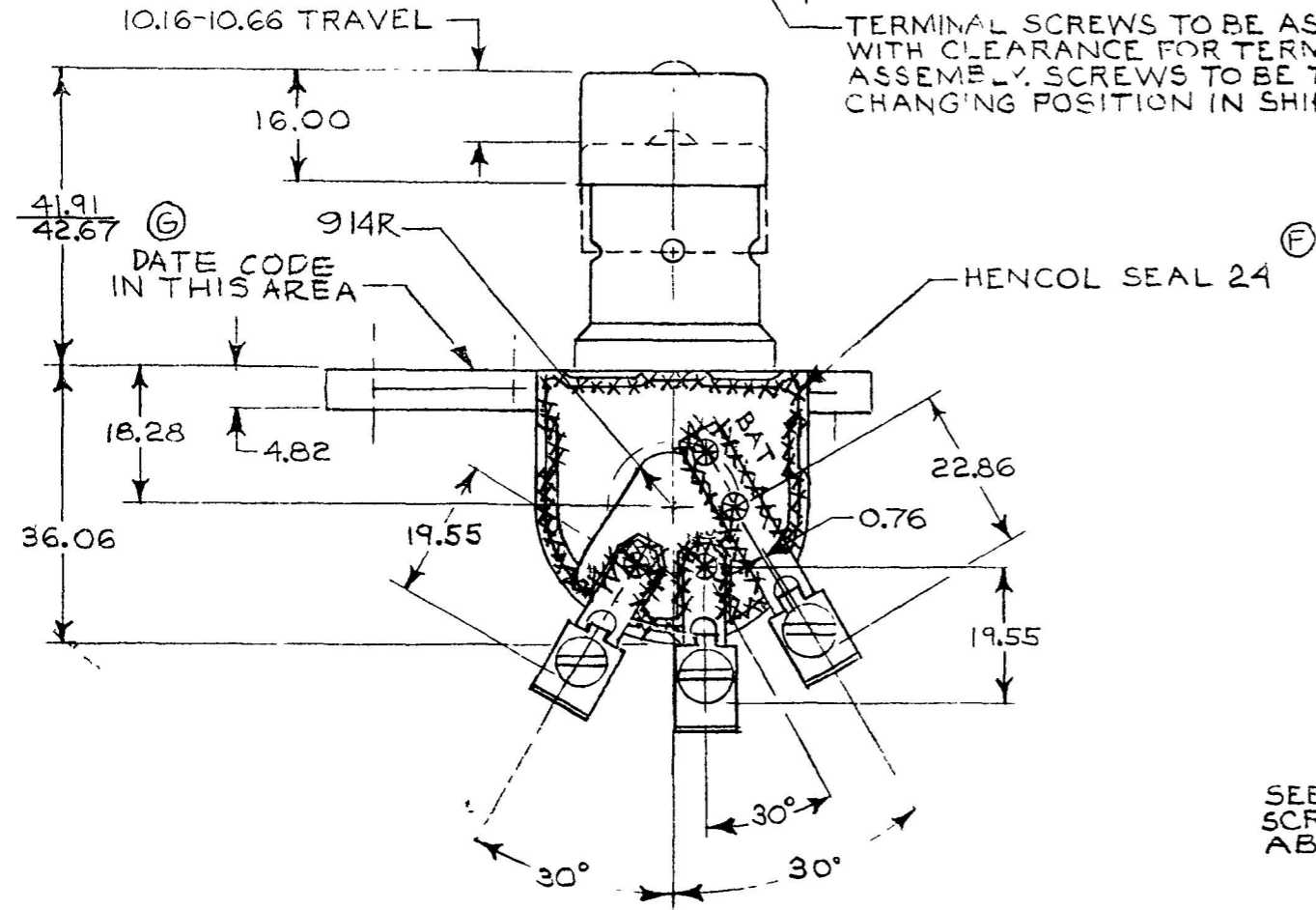


MM IN
 16
 4.32 170
 4.82 190
 5.58 220
 9.14 360
 10.16 400
 10.66 420
 16.00 630
 18.28 720
 19.55 770
 22.09 870
 22.35 880
 22.86 900
 24.89 980
 26.79 1055
 27.05 1065
 31.75 1250
 36.36 1420
 41.91 1650
 42.67 1680
 44.19 1740
 44.70 1760
 63.24 2490
 63.75 2510

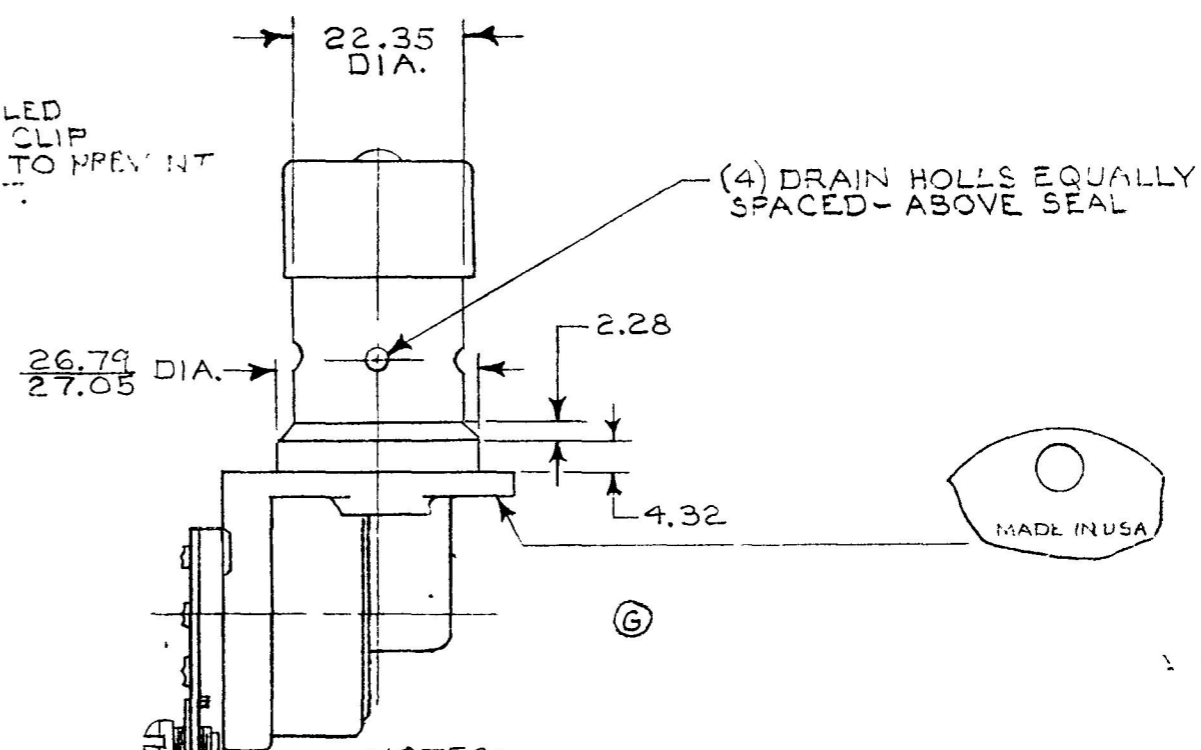
COLE-HERSEE CO.
 NPM 6-6-77



CASE, ZINC DIE CAST, DICHROMATED
 TERMINALS, STEEL, ZINC FLT.
 BUTTON, STEEL, ZINC FLT.
 CONTACTOR, COPPER CADMIUM



TERMINAL SCREWS TO BE ASSEMBLED WITH CLEARANCE FOR TERMINAL CLIP ASSEMBLY. SCREWS TO BE TIGHT TO PREVENT CHANGING POSITION IN SHIPMENT.



- NOTES:
1. EACH DOWNWARD STROKE OF THE PLUNGER SHIFTS BEAMS, SWITCH MUST CHANGE CIRCUIT FROM ONE TERMINAL TO THE OTHER WITHOUT LOSS OF LIGHT PERCEPTIBLE TO THE EYE.
 2. SWITCH TO WITHSTAND 6PSI EXTERNAL VACUUM FOR 30 MINUTES WITHOUT LEAKING, AS EVIDENCED BY ESCAPING BUBBLES.
 3. WEIGHT: APPROX. .16Kg, (.37LBS)
 4. ALL DIMENSIONS ARE FOR REFERENCE ONLY.

SEE TERMINAL SCREW NOTE ABOVE.

WATERPROOF

DO NOT SCALE

METRIC

LET	WAS	DATE	BY	LET	WAS	DATE	BY	MATERIAL	DRAWN	CHECKED	APPRVD	SCALE	DATE DRAWN
									RMT	TWA		1:1	4-5-77
								FINISH					DATE BLUEPRINT
								TOLERANCES	Cole Hersee Co. 30 OLD COLONY AVENUE, SOUTH BOSTON, MA, U.S.A. 02127				
								DECIMAL METRIC					SWITCH, DIMMER