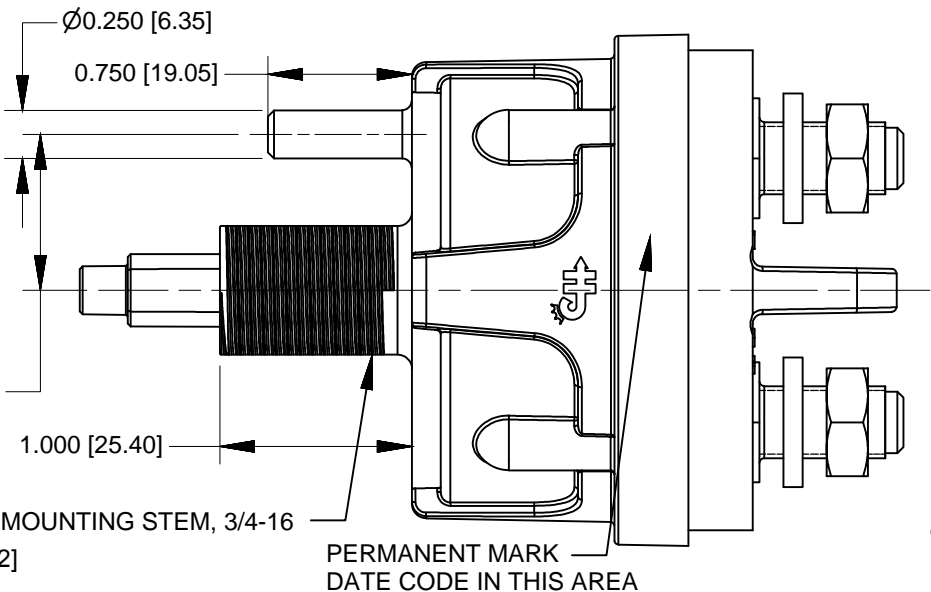
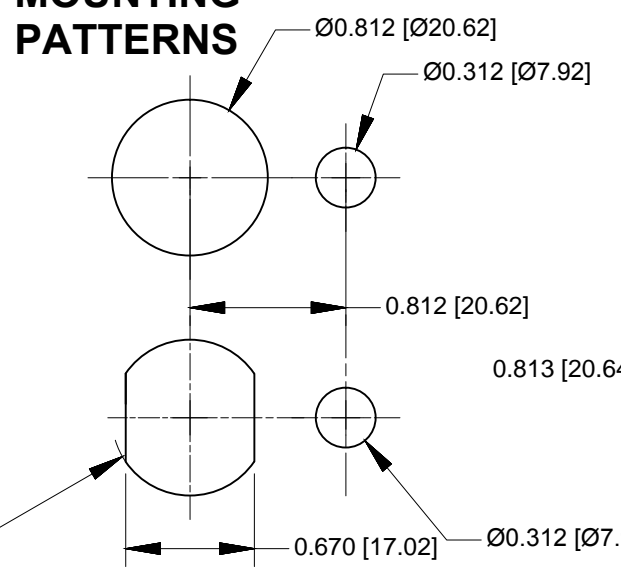


MOUNTING PATTERNS



- NOTES:**
1. ALL DIMENSIONS ARE REFERENCE ONLY
 2. ALL STEEL PARTS PLATED
 3. CONTACT SURFACES COPPER
 4. RECOMMENDED LOCK SHANK SIZE 5/16" (0.312[7.93]) DIA
 5. TESTED TO IP68
 6. RATINGS: CONTINUOUS DUTY:
12 Vdc: 300 AMPS; 24 Vdc: 250 AMPS; 36 Vdc: 200 AMPS
INTERMITTENT DUTY:
1000 AMPS FOR 90 SECONDS ON; 5 MINUTES OFF
2000 AMPS FOR 30 SECONDS ON; 5 MINUTES OFF
 7. SWITCH MUST BE INSTALLED WITH BEZEL
 8. CUSTOMER SUPPLIED TERMINALS SHOULD BE IN DIRECT CONTACT WITH BASE OF STUD
 9. STUD TORQUE 70-90 IN-LBS [7.9-10.1 N.m]
 10. MOUNTING STEM HEX NUT TORQUE 18 FT LBS [24.4 N.m]
 11. PANEL THICKNESS RANGE: 0.032-0.450 [0.81-11.43]
 12. PARTS SHIPPED BAGGED
 13. FOR ADDITIONAL KNOB RETENTION, ASSEMBLE SCREW TO SHAFT THEN INSERT CAP
 14. ROTATION OF THE STUD WITHIN THE BASE UP TO 5° IS NORMAL AND DOES NOT EFFECT OPERATION OR SEALING

Revision Control Record				Rev.	Description of Change	ECN No.	Date	Tolerances Unless otherwise specifically noted, the following are default tolerances:			PROPRIETARY INFORMATION This Engineering Drawing, and the information contained herein, is proprietary to Cole Hersee Company and may not be disclosed, re-produced, or in any other way transferred or communicated to any other party without the express written consent of an authorized representative of Cole Hersee Company.			Special Characteristics:			Cole Hersee Co.		
Rev.	Description of Change	ECN No.	Date					2-places +/- 0.02"	3-places +/- 0.005"	Angular +/- 1'	CC	Critical Characteristic, relating to Safety and/or Regulatory Compliance	X	Significant Characteristic relating to Process Control	KC	Control Dimension relating to Form - Fit - Function as defined by Cole Hersee Company and/or the Customer	Description: SW, ROT, MAST DISC		
A	RELEASED DRAWING	11265	8/16/11																
B	CHANGE TO IP68	12252	08/09/12																
C	ADD CE MARK & NOTE	09529	09/30/13																
								FORM CHT-6 (2/07)	Used On or Ref.: 75920, EX28670	Scale: 1:1	Drawn By: DPS	Date Drawn: 4/6/11	Pg. 1 of 1		Drawing / Part No.: 75920-05	Current Rev.: C			