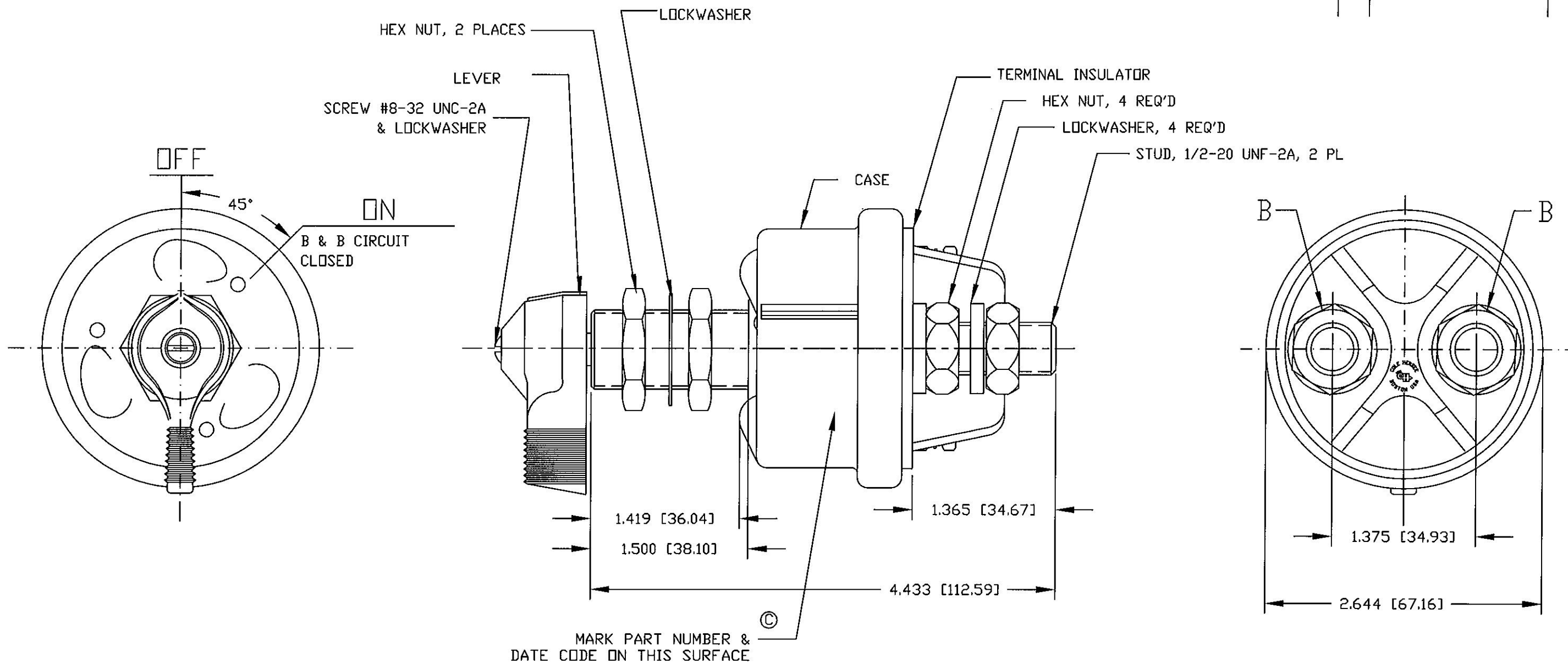


Revision Control Record

Rev.	Description of Change	ECN No.	Date
A	RELEASED	01702	12/5/01
B	BOM CHANGE	06273	08/16/06
C	MOVED DATE CODE TO SIDE OF CASE	10331	9/14/10



NOTES:

1. ALL STEEL PARTS PLATED
2. ALL DIMENSIONS REFERENCE ONLY
3. SEALS BETWEEN: SHAFT & MOUNTING STEM (O-RING); CASE & TERMINAL INSULATOR (EPOXY); TERMINAL INSULATOR & 1/2-20 STUDS (GASKETS)
4. RATING: 6, 12, 24, & 36 VOLTS DC "B" STUDS: INTERMITTENT DUTY: 2000 AMPS, 30 SECONDS "ON", 3 MINUTES "OFF" CONTINUOUS DUTY: 300 AMPS
5. ALL HARDWARE ASSEMBLED

<p>Tolerances Unless otherwise specifically noted, the following are default tolerances:</p> <ul style="list-style-type: none"> • 2-place Decimal Dimensions +/- .02" • 3-place Decimal Dimensions +/- .005" • Angular Dimensions +/- 1.0 Deg. • Metric: Refer to equivalent English Dimension Tolerance <p>>>> NOTE: All tolerances are Non-Cumulative. <<<</p> <p>Dimensional Units All dimensions are expressed in inches except those shown in brackets (xxx) are expressed in millimeters</p> <p>"REF." or an Asterisk (*) = Non-Toleranced Reference Dimension, shown for clarification purposes only.</p>	
Used On or Ref.:	EX27801 75908 & M-286-04
Scale:	1:1

<p>PROPRIETARY INFORMATION This Engineering Drawing, and the information contained herein, is proprietary to Cole Hersee Company and may not be disclosed, re-produced, or in any other way transferred or communicated to any other party without the express written consent of an authorized representative of Cole Hersee Company.</p> <p>DESIGN CONTROL It is the responsibility of the individual using/ referencing this drawing to assure that the noted design revision level agrees with the revision level of the Controlled Document (Master Drawing). This is a NON-CONTROLLED DOCUMENT unless otherwise specifically noted.</p> <p>DO NOT SCALE - Dimensional variation may occur during printing/ reproduction.</p>	
Drawn By:	G.AUGUSTE
Date Drawn:	05/11/01

<p>Key for Special Characteristics:</p> <ul style="list-style-type: none"> Ⓢ Critical Characteristic, relating to Safety and/or Regulatory Compliance Ⓧ Significant Characteristic relating to Process Control (SPC) Ⓢ Control Dimension relating to Form - Fit - Function as defined by Cole Hersee Company and/or the Customer <p>(Note that the identification of any Characteristics as being "Special" does not alter the requirement that ALL specified dimensions & tolerances must be met.)</p>	
Responsible Engineer:	G.A
Pg. 1 of 1	

Cole Hersee Co.
 20 Old Colony Ave., South Boston, MA, 02127
 Phn: 617-268-2100 Web: www.colehersee.com

Description: SWITCH, MASTER DISCONNECT

Drawing / Part No.: 75908-02

Current Rev.: C