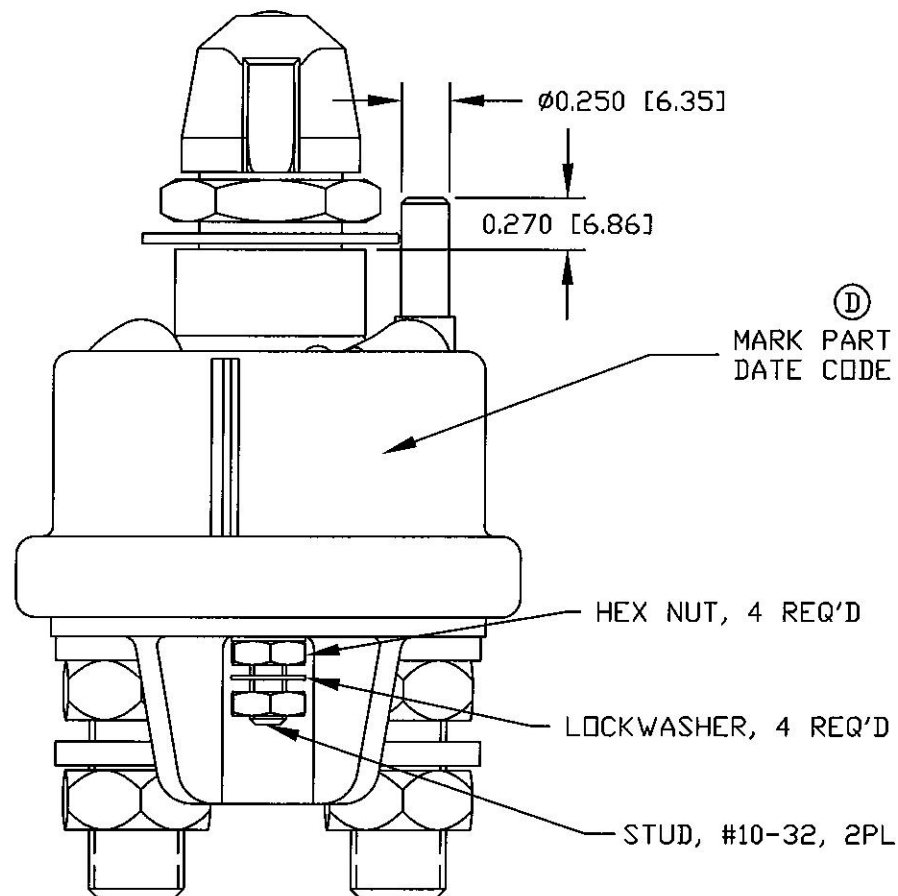
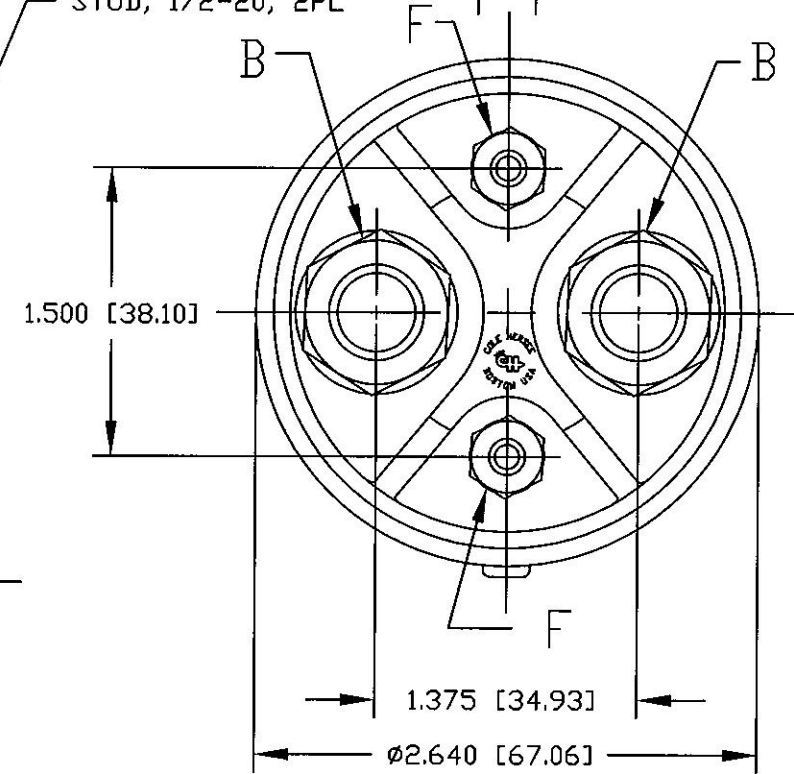
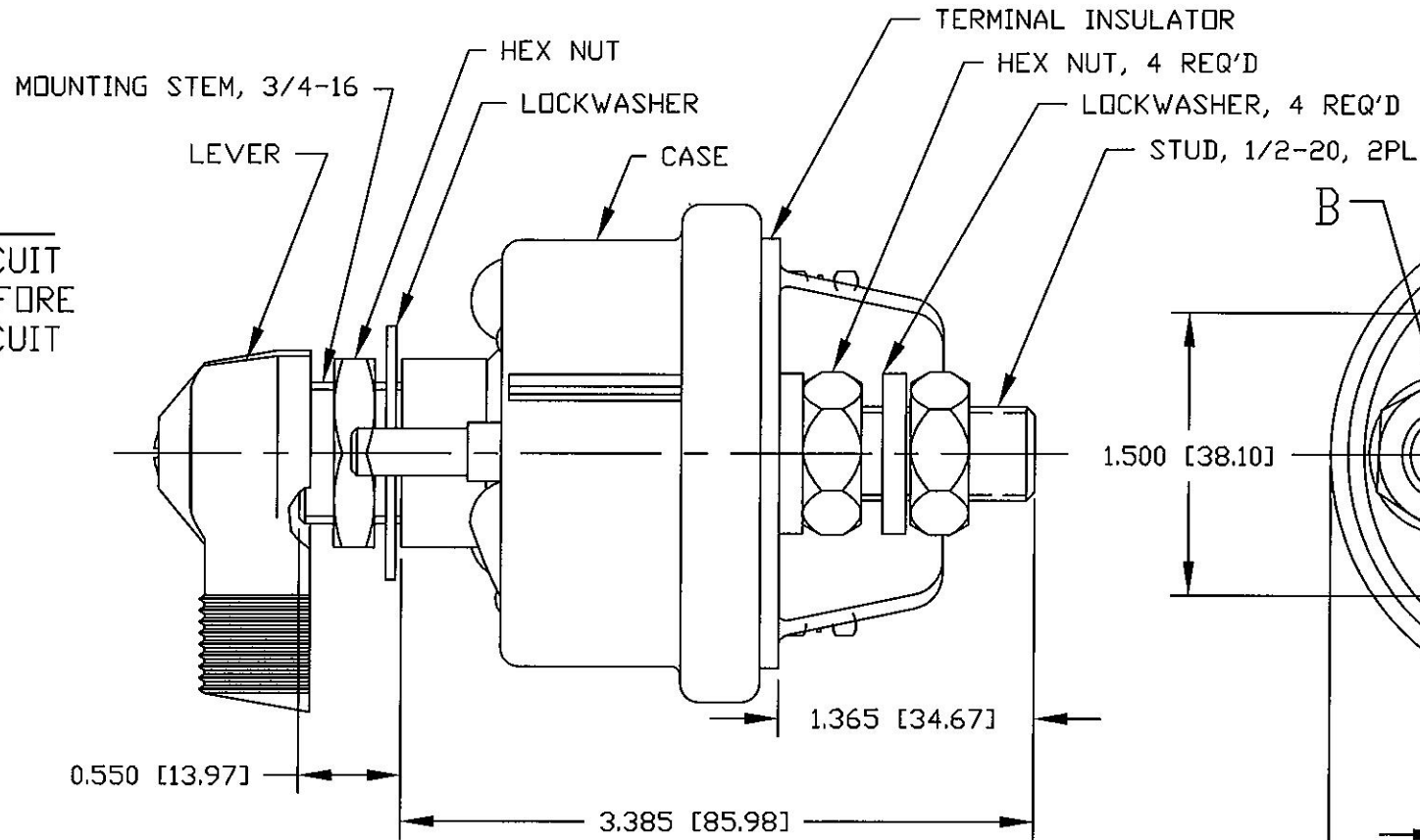
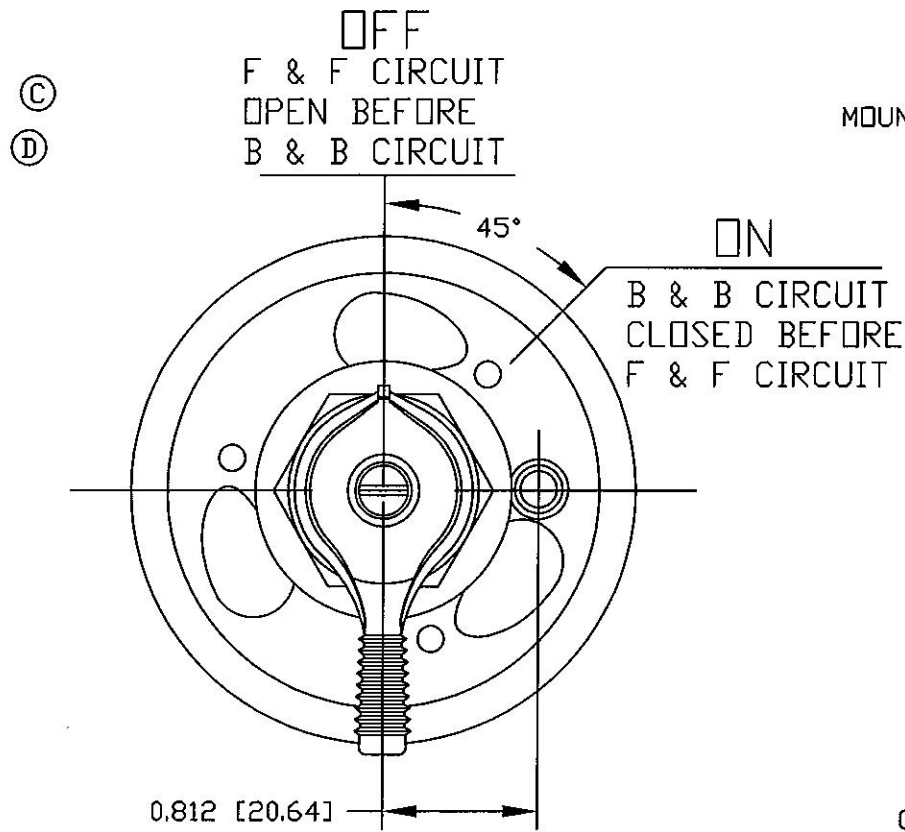


Revision Control Record

Rev.	Description of Change	ECN No.	Date
B	BOM CHANGE	06273	08/17/06
C	RELOCATED DATE CODE	09162	2/25/09
D	MOVED DATE CODE TO SIDE OF CASE	10331	9/14/10



④ MARK PART NUMBER & DATE CODE ON THIS SURFACE

NOTES:

1. ALL STEEL PARTS PLATED
2. ALL DIMENSIONS ARE REFERENCE ONLY
3. SEALS BETWEEN: SHAFT & MOUNTING STEM
CASE & TERMINAL INSULATOR
TERMINAL INSULATOR & 1/2-20 STUDS
4. RATING: 6, 12, 24, & 36 VOLTS DC
"B" STUDS: INTERMITTENT DUTY 2000 AMPS
30 SECONDS "ON", 3 MINUTES "OFF"
CONTINUOUS DUTY 300 AMPS
"F" STUDS: 20 AMPS

Tolerances: Unless otherwise specifically noted, the following are default tolerances:

- * 2-place Decimal Dimensions $\pm .02$ "
- * 3-place Decimal Dimensions $\pm .005$ "
- * Angular Dimensions ± 1.0 Deg.
- * Metric: Refer to equivalent English Dimension Tolerance

>>> NOTE: All tolerances are Non-Cumulative. <<<

Dimensional Units: All dimensions are expressed in inches except those shown in brackets (xxx) are expressed in millimeters

"REF." or an Asterisk (*) = Non-Toleranced Reference Dimension, shown for clarification purposes only.

PROPRIETARY INFORMATION: This Engineering Drawing, and the information contained herein, is proprietary to Cole Hersee Company and may not be disclosed, re-produced, or in any other way transferred or communicated to any other party without the express written consent of an authorized representative of Cole Hersee Company.

DESIGN CONTROL: It is the responsibility of the individual using/ referencing this drawing to assure that the noted design revision level agrees with the revision level of the Controlled Document (Master Drawing). This is a NON-CONTROLLED DOCUMENT unless otherwise specifically noted.

DO NOT SCALE - Dimensional variation may occur during printing/ reproduction.

Special Characteristics:

- CC Critical Characteristic, relating to Safety and/or Regulatory Compliance
- X Significant Characteristic relating to Process Control (SPC)
- KC Control Dimension relating to Form - Fit - Function as defined by Cole Hersee Company and/or the Customer

(Note that the identification of any Characteristics as being "Special" does not alter the requirement that ALL specified dimensions & tolerances must be met.)

Cole Hersee Co.
20 Old Colony Ave., South Boston, MA, 02127
Phn: 617-268-2100 Web: www.colehersee.com

Description:
MASTER DISCONNECT SW

Drawing / Part No.: 75907

Used On or Ref.: EX23570F

Scale: 1:1

Drawn By: DPS

Date Drawn: 03/23/95

Responsible Engineer: NA

Pg. 1 of 1

D