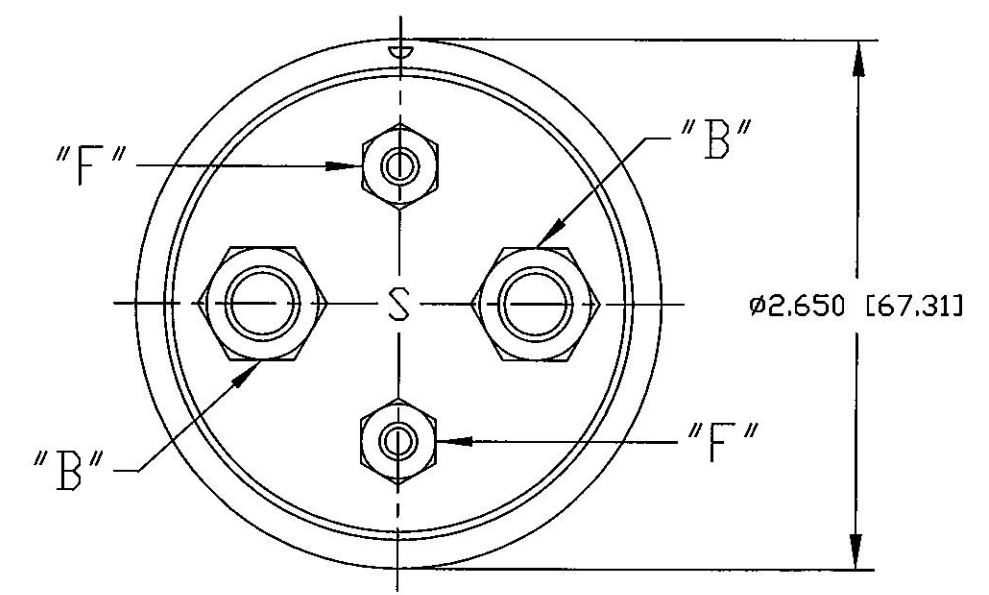
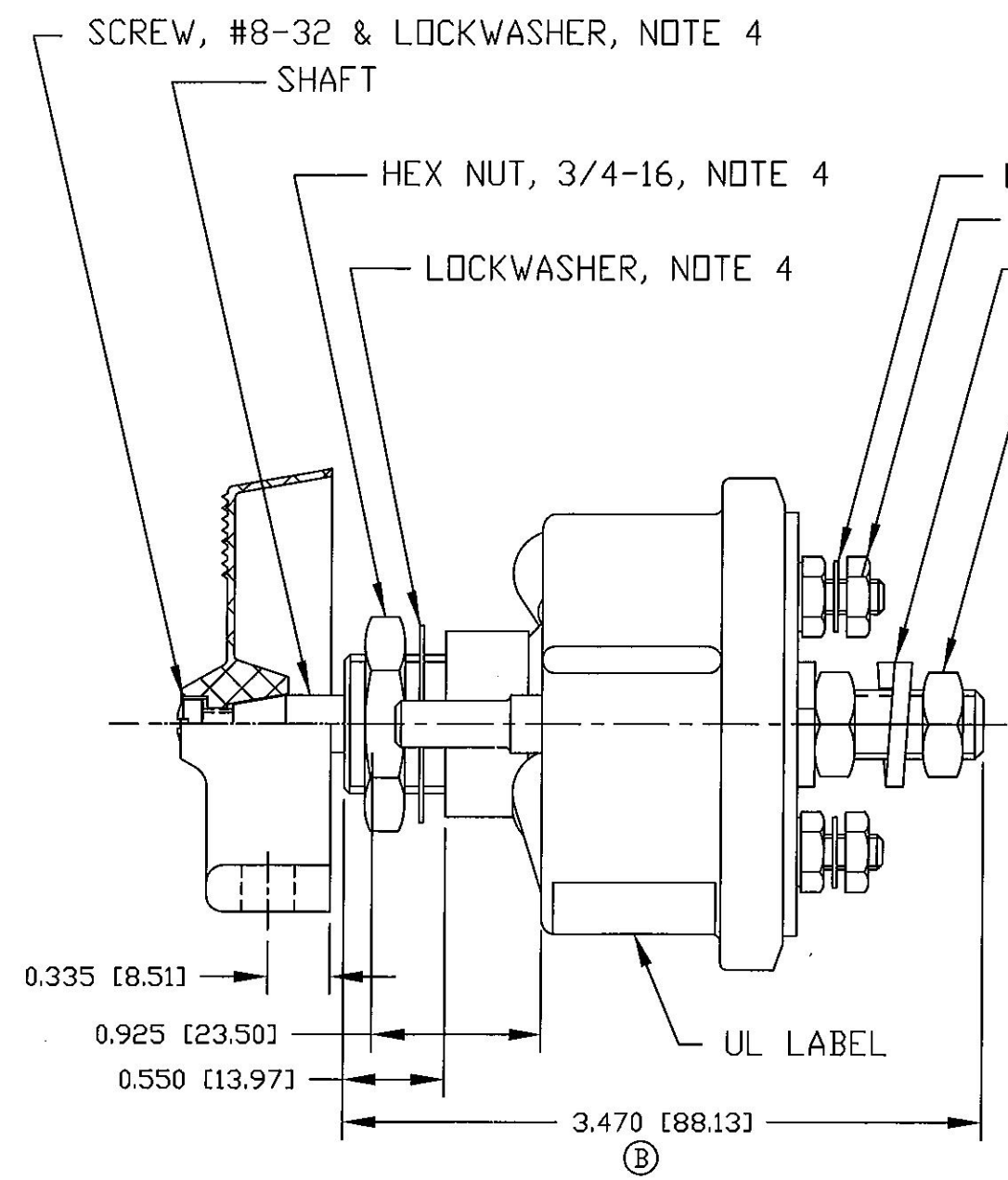
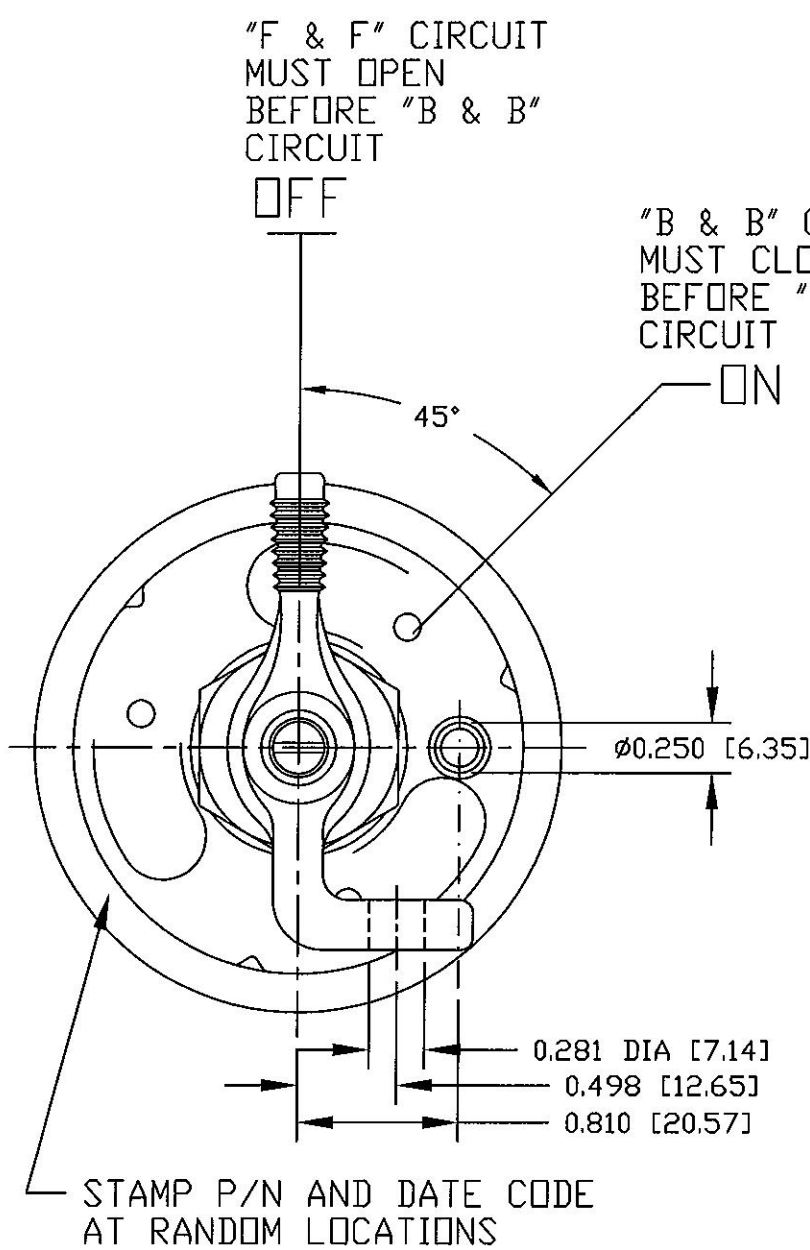


Revision Control Record			
Rev.	Description of Change	ECN No.	Date
A	RELEASE NEW PART	04435	10/26/04
B	REVISED MTG STEM & DIM	07457	11/16/07
C	BOM CHANGE	10171	4/30/10



- NOTES:
1. ALL STEEL PARTS PLATED
  2. ALL DIMENSIONS REFERENCE
  3. SILVER CONTACT SURFACES
  4. ALL PARTS ASSEMBLED
  5. SUPPLIED WITH 81416 LEVER

CONTINUOUS RATING:  
 6-12-24-36 VOLTS DC,  
 LARGE STUDS ("B" TERMINALS): 125 AMPS  
 SMALL STUDS ("F" TERMINALS): 20 AMPS

INTERMITTENT RATING:  
 6-12-24-36 VOLTS DC,  
 LARGE STUDS ("B" TERMINALS): 800 AMPS  
 15 SEC "ON", 5 MIN "OFF"

**Tolerances** Unless otherwise specifically noted, the following are default tolerances:  
 • 2-place Decimal Dimensions  $\pm .02$ "  
 • 3-place Decimal Dimensions  $\pm .005$ "  
 • Angular Dimensions  $\pm 1.0$  Deg.  
 • Metric: Refer to equivalent English Dimension Tolerance  
 >>> NOTE: All tolerances are Non-Cumulative. <<<

**Dimensional Units** All dimensions are expressed in inches except those shown in brackets (xxx) are expressed in millimeters

"REF." or an Asterisk (\*) = Non-Toleranced Reference Dimension, shown for clarification purposes only.

Ref.: EX28037

**PROPRIETARY INFORMATION** This Engineering Drawing, and the information contained herein, is proprietary to Cole Hersee Company and may not be disclosed, re-produced, or in any other way transferred or communicated to any other party without the express written consent of an authorized representative of Cole Hersee Company.

**DESIGN CONTROL** It is the responsibility of the individual using / referencing this drawing to assure that the noted design revision level agrees with the revision level of the Controlled Document (Master Drawing). This is a NON-CONTROLLED DOCUMENT unless otherwise specifically noted.

DO NOT SCALE - Dimensional variation may occur during printing / reproduction.

Scale: 1:1

Drawn By: DE

Date Drawn: 8/6/04

**Key for Special Characteristics:**

CC Critical Characteristic, relating to Safety and/or Regulatory Compliance

X Significant Characteristic relating to Process Control (SPC)

CD Control Dimension relating to Form - Fit - Function as defined by Cole Hersee Company and/or the Customer

(Note that the Identification of any Characteristics as being "Special" does not alter the requirement that ALL specified dimensions & tolerances must be met.)

Responsible Engineer:

Pg. 1 of 1

**Cole Hersee Co.**  
 20 Old Colony Ave., South Boston, MA, 02127  
 Phn: 617-268-2100 Web: www.colehersee.com

**Description:**  
 SW, MASTER DISCONNECT

**Drawing / Part No.:** 75904-12

**Current Rev.:** C