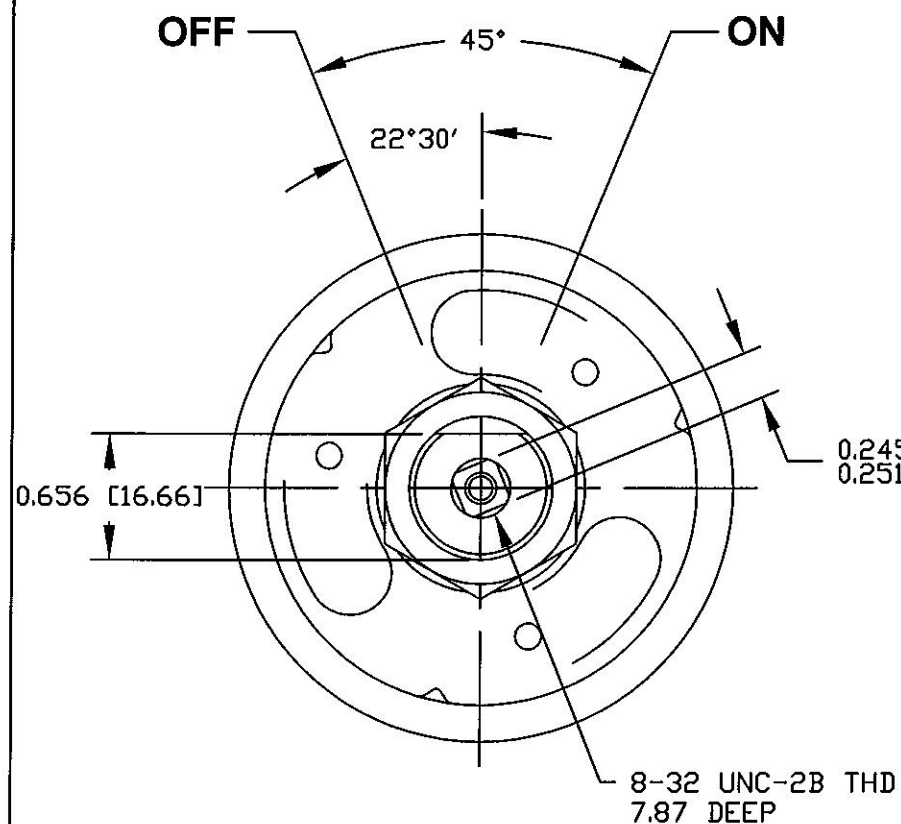


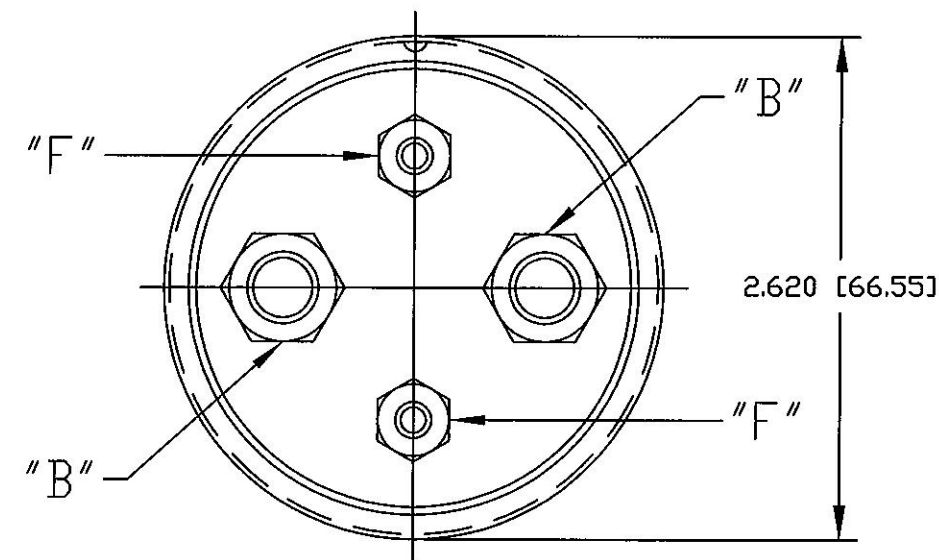
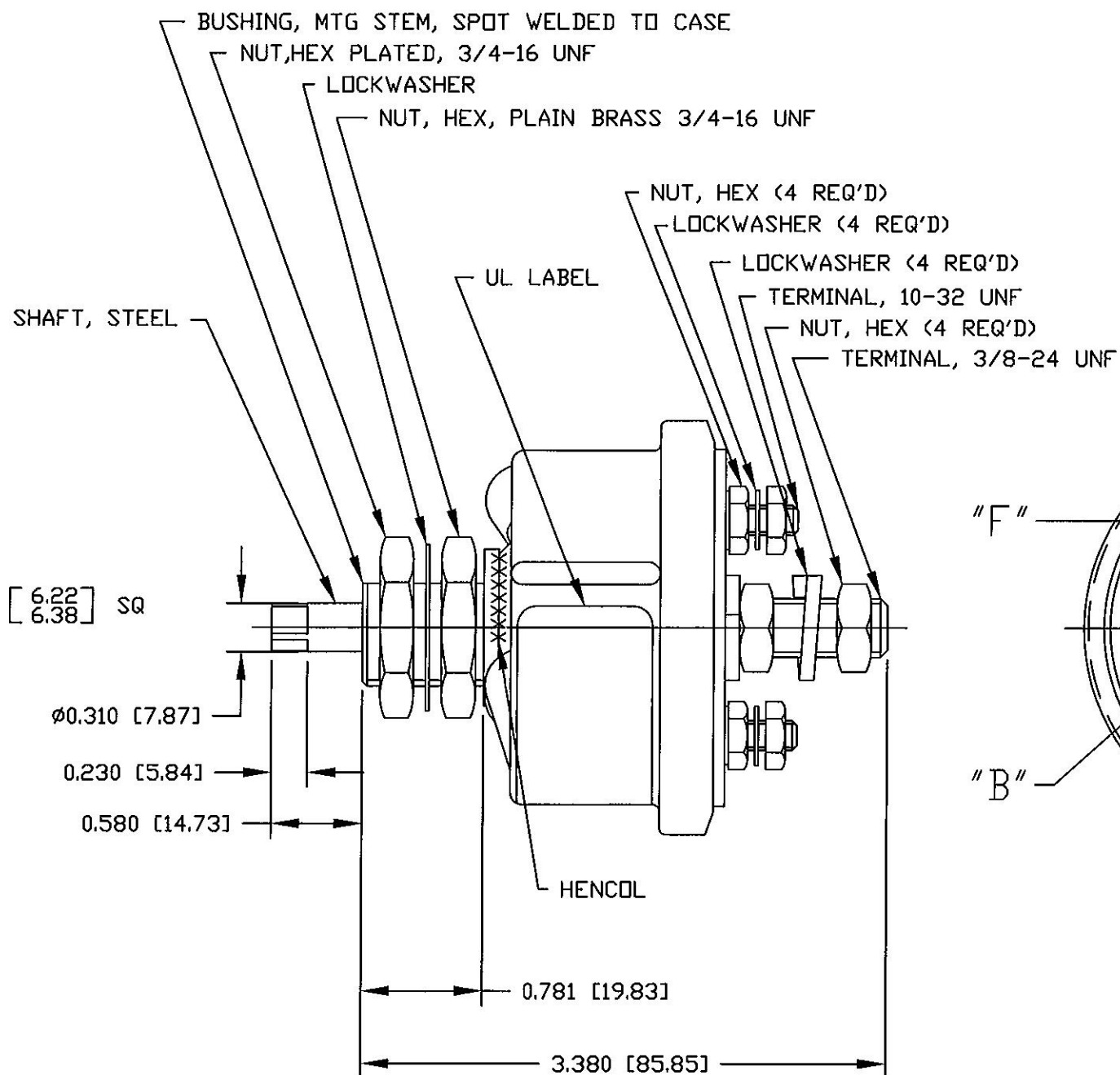
**Revision Control Record**

Rev.	Description of Change	ECN No.	Date
A	REVISED RATINGS	05199	05/10/05
B	BOM CHANGE	10167	4/30/10

**"F & F" CIRCUIT MUST OPEN BEFORE "B & B" CIRCUIT**



**SWITCH SHOWN IN OFF POSITION**



**CONTINUOUS RATING:**  
 6-12-24-36 VOLTS DC.  
 LARGE STUDS("B" TERMINALS): 175 AMPS (A)  
 SMALL STUDS("F" TERMINALS): 20 AMPS

**INTERMITTENT RATING:**  
 6-12-24-36 VOLTS DC.  
 LARGE STUDS ("B" TERMINALS): 1000 AMPS (A)  
 15 SEC. "ON", 5 MIN. "OFF"

- NOTES:**
1. ALL STEEL PARTS PLATED
  2. ALL DIMENSIONS REFERENCE
  3. SILVER CONTACT SURFACES
  4. O-RING SEAL AT BUSHING

**Tolerances** Unless otherwise specifically noted, the following are default tolerances:  
 \* 2-place Decimal Dimensions +/- .02"  
 \* 3-place Decimal Dimensions +/- .005"  
 \* Angular Dimensions +/- 1.0 Deg.  
 \* Metric: Refer to equivalent English Dimension Tolerance  
 >>> NOTE: All tolerances are Non-Cumulative. <<<

**Dimensional Units** All dimensions are expressed in inches except those shown in brackets (xxx) are expressed in millimeters

"REF." or an Asterisk (\*) = Non-Toleranced Reference Dimension, shown for clarification purposes only.

**PROPRIETARY INFORMATION** This Engineering Drawing, and the information contained herein, is proprietary to Cole Hersee Company and may not be disclosed, re-produced, or in any other way transferred or communicated to any other party without the express written consent of an authorized representative of Cole Hersee Company.

**DESIGN CONTROL** It is the responsibility of the individual using / referencing this drawing to assure that the noted design revision level agrees with the revision level of the Controlled Document (Master Drawing). This is a NON-CONTROLLED DOCUMENT unless otherwise specifically noted.

**DO NOT SCALE** - Dimensional variation may occur during printing / reproduction.

**Special Characteristics:**

- CC Critical Characteristic, relating to Safety and/or Regulatory Compliance
- X Significant Characteristic relating to Process Control (SPC)
- KC Control Dimension relating to Form - Fit - Function as defined by Cole Hersee Company and/or the Customer

(Note that the identification of any Characteristics as being "Special" does not alter the requirement that ALL specified dimensions & tolerances must be met.)

**Cole Hersee Co.**  
 20 Old Colony Ave., South Boston, MA, 02127  
 Phn: 617-268-2100 Web: www.colehersee.com

**Description:**  
 SW, MASTER DISCONNECT

**Drawing / Part No.:**  
 75904-08

**B**

Used On or Ref.: EX25669-A

Scale: 1:1

Drawn By: MJT

Date Drawn: 04/27/94

Responsible Engineer: JC

Pg. 1 of 1