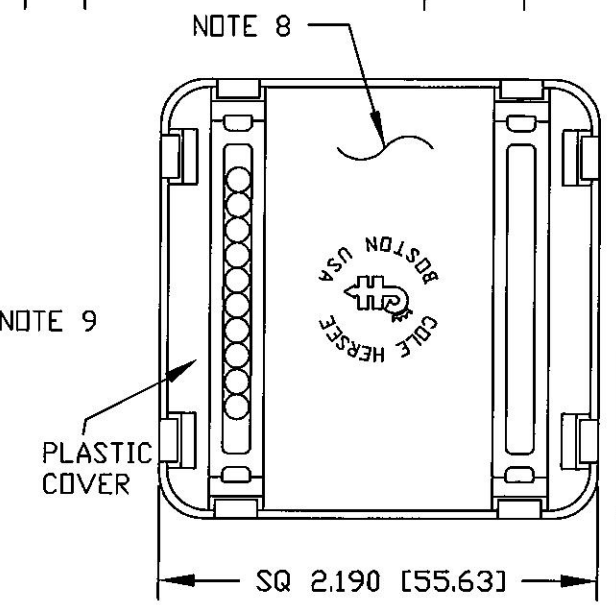
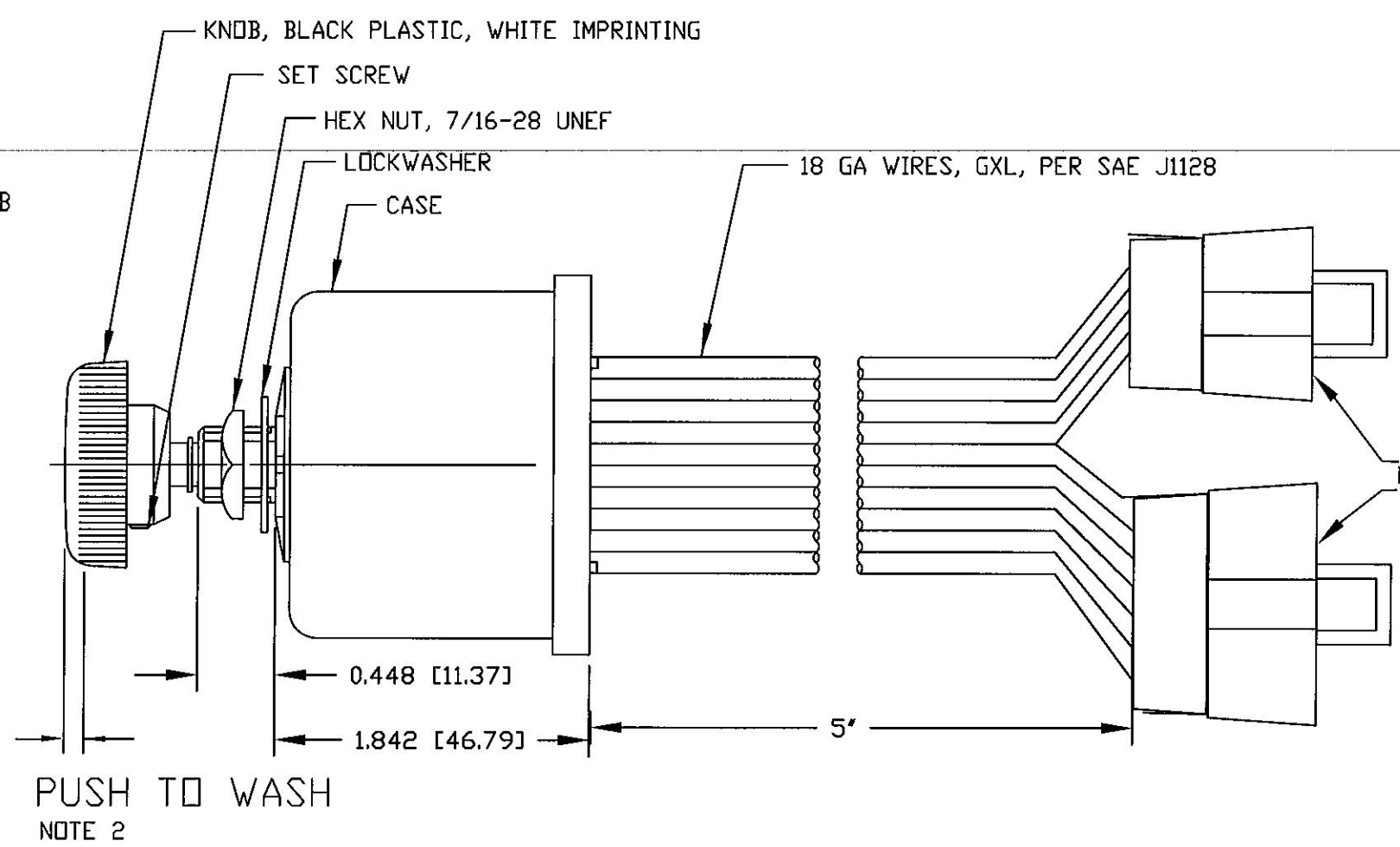
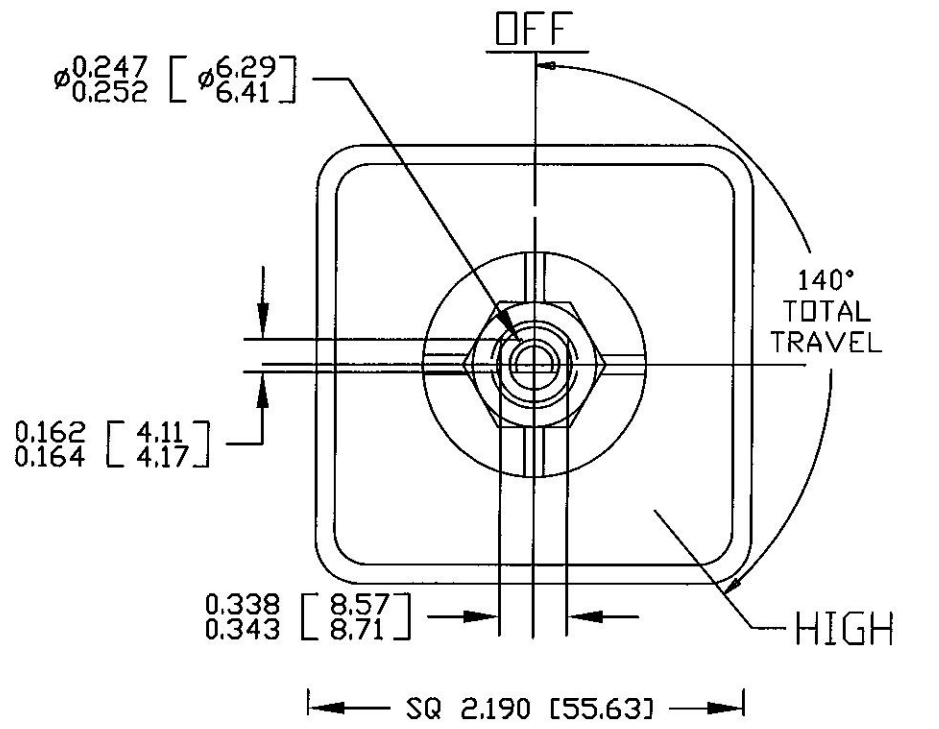
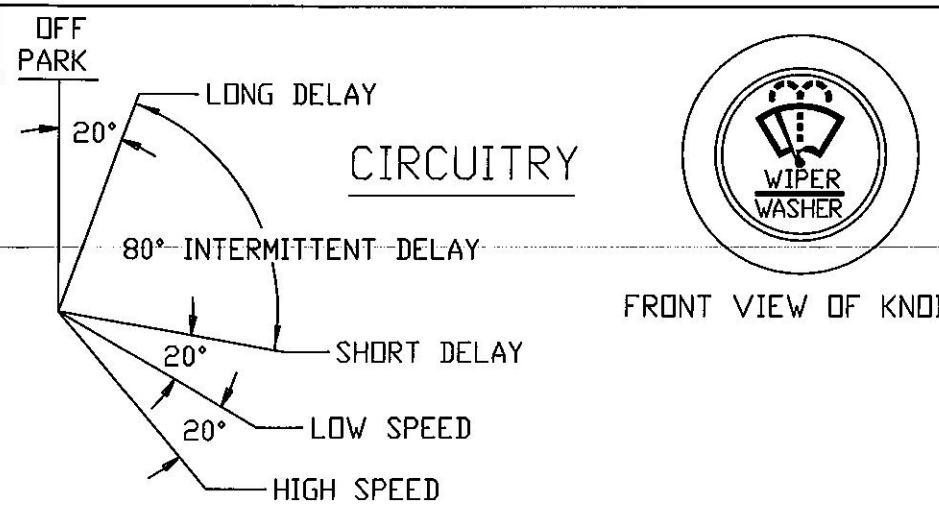
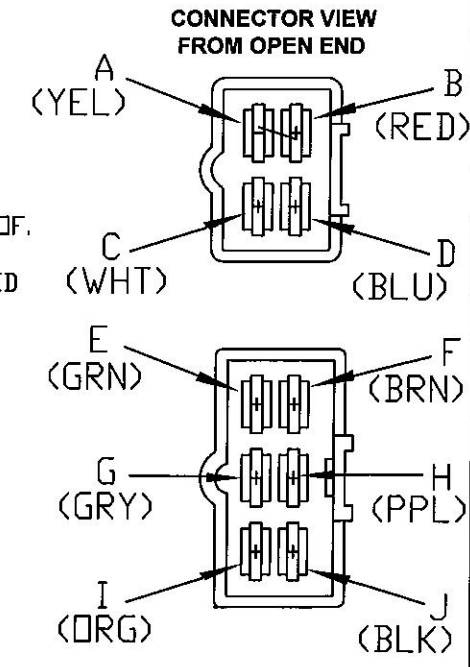


**Revision Control Record**

Rev.	Description of Change	ECN No.	Date
A	NEW PART	07011	01/25/07
B	BOM CHANGE	09587	01/13/10



- NOTES:**
- DESIGNED FOR 24V SYSTEM, DUAL MOTOR, DYNAMIC AND NON-DYNAMIC PARK.
  - PUSH TO WASH FUNCTION RESULTS IN 3 WIPES AFTER RELEASE OF PUSH SWITCH.
  - RATING: VOLTAGE OPERATING RANGE 18VDC TO 32VDC  
 ROTARY SWITCH ACTUATION 20,000 CYCLES MINIMUM.  
 MOTOR DRIVE: 10 AMPS PER MOTOR CONTINUOUS. START-UP/STALL/LOCKED-ROTOR 30 AMPS. SHORT-CIRCUIT PROOF.  
 WASHER CIRCUIT 3 AMPS, PUSH SWITCH 20,000 CYCLES MINIMUM.
  - MICROPROCESSOR CONTROLLED, SOLID-STATE RELAY, CURRENT LIMIT SENSE CIRCUIT, REVERSE POLARITY PROTECTED
  - CONFORMS TO SAE J1455:  
 4.11 GENERAL HEAVY DUTY TRUCK ELECTRICAL ENVIRONMENT.  
 4.11.1 STEADY-STATE ELECTRICAL CHARACTERISTICS.  
 4.11.2 TRANSIENT, NOISE AND ELECTROSTATIC CHARACTERISTICS.
  - INTERMITTENT DELAYS: 1, 2, 4, 7, 11 AND 16 SECONDS
  - ALL DIMENSIONS ARE REFERENCE ONLY UNLESS NOTED OTHERWISE.
  - COLE HERSEE PART NUMBER, REVISION, & DATE CODE STAMPED IN WHITE ON REAR PLASTIC COVER.
  - CONNECTORS, DELPHI: 6-PIN, PART# 2977042 (QTY 1); 4-PIN, PART# 6294544 (QTY 1)  
 TERMINALS, DELPHI: PART#2965439 (QTY 10)
  - WIPER ENABLE OUTPUT: ACTIVE-HIGH, 0.2 AMPS MAX. ENABLED WHEN IN LO-SPEED, HI-SPEED OR INTERMITTENT



COLOR	FUNCTION	TERMINAL
YELLOW	LOW-SPEED MOTOR #1	A
RED	VBB (24V POWER)	B
WHITE	HIGH-SPEED MOTOR#1	C
BLUE	PARK MOTOR #1	D
GREEN	WIPER ENABLED (FOR "LIGHTS-ON")	E
BROWN	WASHER	F
GREY	HIGH-SPEED MOTOR #2	G
PURPLE	PARK MOTOR #2	H
ORANGE	LOW-SPEED MOTOR #2	I
BLACK	GROUND (0V)	J

**Tolerances** Unless otherwise specifically noted, the following are default tolerances:  
 \* 2-place Decimal Dimensions +/- .02"  
 \* 3-place Decimal Dimensions +/- .005"  
 \* Angular Dimensions +/- 1.0 Deg.  
 \* Metric: Refer to equivalent English Dimension Tolerance  
 >>> NOTE: All tolerances are Non-Cumulative. <<<

**Dimensional Units** All dimensions are expressed in inches except those shown in brackets (xxx) are expressed in millimeters

"REF." or an Asterisk (\*) = Non-Tolerance Reference Dimension, shown for clarification purposes only.

**PROPRIETARY INFORMATION** This Engineering Drawing, and the information contained herein, is proprietary to Cole Hersee Company and may not be disclosed, re-produced, or in any other way transferred or communicated to any other party without the express written consent of an authorized representative of Cole Hersee Company.

**DESIGN CONTROL** It is the responsibility of the individual using / referencing this drawing to assure that the noted design revision level agrees with the revision level of the Controlled Document (Master Drawing). This is a NON-CONTROLLED DOCUMENT unless otherwise specifically noted.

DO NOT SCALE - Dimensional variation may occur during printing / reproduction.

**Special Characteristics:**

- Critical Characteristic, relating to Safety and/or Regulatory Compliance
- Significant Characteristic relating to Process Control (SPC)
- Control Dimension relating to Form - Fit - Function as defined by Cole Hersee Company and/or the Customer

(Note that the Identification of any Characteristics as being "Special" does not alter the requirement that ALL specified dimensions & tolerances must be met.)

**Cole Hersee Co.**  
 20 Old Colony Ave., South Boston, MA, 02127  
 Phn: 617-268-2100 Web: www.colehersee.com

**Description:**  
 WINDSHIELD WIPER CONTROLLER, DUAL-MOTOR, W/ WIPER ENABLE, 24V, SSR

**Drawing / Part No.:** 75603-08

**Current Rev.:** B

Used On or Ref.: EX28333 Scale: 1:1 Drawn By: JCS Date Drawn: 10/10/06 Responsible Engineer: JCS Pg. 1