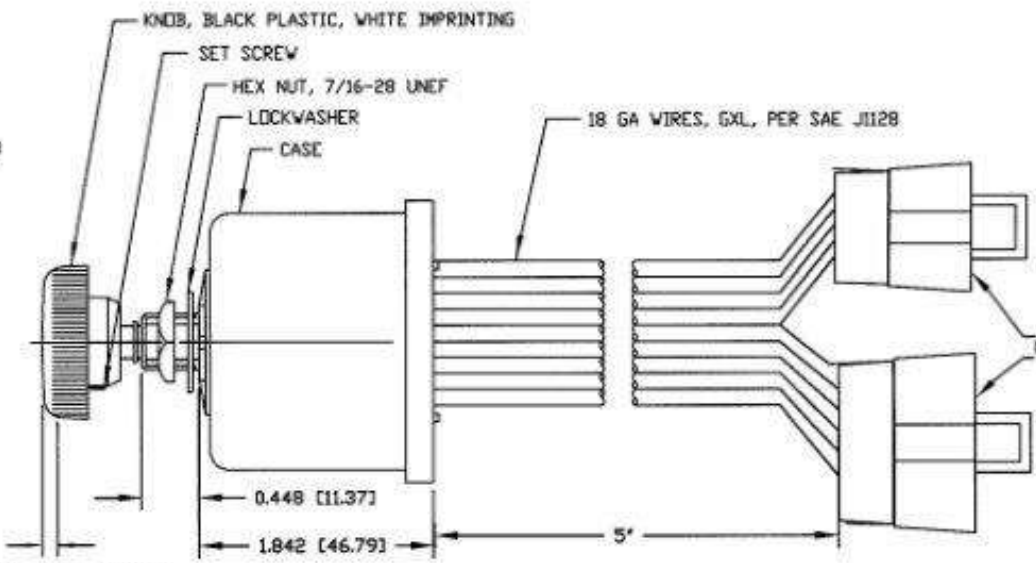
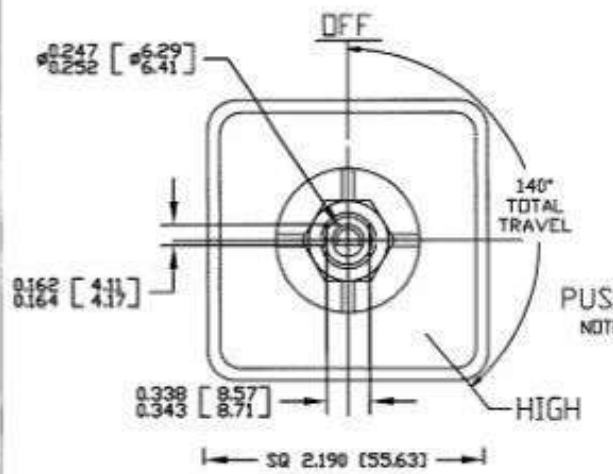


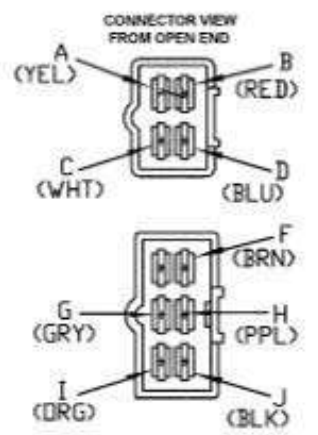
FRONT VIEW OF KNOB



PUSH TO WASH
NOTE 2

- NOTES:
- DESIGNED FOR 24V SYSTEM, DUAL MOTOR, DYNAMIC AND NON-DYNAMIC PARK.
 - PUSH TO WASH FUNCTION RESULTS IN 3 WIPES AFTER RELEASE OF PUSH SWITCH.
 - RATING: VOLTAGE OPERATING RANGE 18VDC TO 32VDC. ROTARY SWITCH ACTUATION 20,000 CYCLES MINIMUM. MOTOR DRIVE 10 AMPS PER MOTOR CONTINUOUS. START-UP/STALL/LOCKED-ROTOR 30 AMPS. SHORT-CIRCUIT PROOF. WASHER CIRCUIT 3 AMPS, PUSH SWITCH 20,000 CYCLES MINIMUM.
 - MICROPROCESSOR CONTROLLED, SOLID-STATE RELAY, CURRENT LIMIT SENSE CIRCUIT, REVERSE POLARITY PROTECTED.
 - CONFORMS TO SAE J455:
 - 4.11 GENERAL HEAVY DUTY TRUCK ELECTRICAL ENVIRONMENT.
 - 4.11.1 STEADY-STATE ELECTRICAL CHARACTERISTICS.
 - 4.11.2 TRANSIENT, NOISE, AND ELECTROSTATIC CHARACTERISTICS.
 - INTERMITTENT DELAYS: 1, 2, 4, 7, 11 AND 16 SECONDS.
 - ALL DIMENSIONS ARE REFERENCE ONLY UNLESS NOTED OTHERWISE.
 - COLE HERSEE PART NUMBER, REVISION, & DATE CODE STAMPED IN WHITE ON REAR PLASTIC COVER.
 - CONNECTORS, DELPHI: 6-PIN, PART# 2977942 (QTY 1); 4-PIN, PART# 6294544 (QTY 1); TERMINALS, DELPHI: PART#2965439 (QTY 9)

| Revision Control Record | | | |
|-------------------------|-----------------------|---------|----------|
| Rev. | Description of Change | ECR No. | Date |
| K | CORRECT NOTE | 07463 | 12/03/07 |
| L | CHANGE BOM | 09607 | 04/13/08 |
| M | FIXED TYPO | 12174 | 4/20/12 |



| COLOR | FUNCTION | TERMINAL |
|--------|---------------------|----------|
| YELLOW | LOW-SPEED MOTOR #1 | A |
| RED | VBB (24V POWER) | B |
| WHITE | HIGH-SPEED MOTOR #1 | C |
| BLUE | PARK MOTOR #1 | D |
| BROWN | WASHER | F |
| GREY | HIGH-SPEED MOTOR #2 | G |
| PURPLE | PARK MOTOR #2 | H |
| ORANGE | LOW-SPEED MOTOR #2 | I |
| BLACK | GROUND (0V) | J |

DESIGN: Other than specify what the following are: 24VDC Voltage; 1. Unless otherwise specified, all angles are in degrees; 2. Unless otherwise specified, all dimensions are in inches; 3. Angles are in degrees; 4. 1/16" = 0.0625"; 5. Metric: Metric equivalent English Dimensional Tolerances; 6. UNLESS OTHERWISE SPECIFIED, ALL DIMENSIONS ARE IN INCHES.

DESIGNER: All dimensions are expressed in inches unless otherwise specified in metric and are expressed in millimeters.

DESIGNER/REFERENCE: All dimensions are expressed in inches unless otherwise specified in metric and are expressed in millimeters.

Used On or Ref: EX28333

PRODUCTION APPROVAL: This Engineering Drawing, and the information contained herein, is proprietary to Cole Hersee Company and may not be disclosed, reproduced, or in any other way transmitted or communicated to any other party without the express written consent of an authorized representative of Cole Hersee Company.

DESIGN CONTROL: It is the responsibility of the individual using this drawing to ensure that the actual design conforms to the intent of the drawing and that the drawing is used as intended. This is a non-controlled document unless otherwise specifically noted.

DO NOT SCALE - Dimensional relations may vary during printing/ reproduction.

Drawn: JCS
Date: 10/10/06

DESIGN/REVISIONS:

- Original Characteristics, existing in fully under Regulatory Compliance
- Significant Characteristics, existing in Process Control (IPC)
- Control Characteristics, existing in Process Control (IPC)

(Note: Not the identifier of any Characteristics as being "Special" does not alter the requirement for all specified characteristics to be controlled.)

Responsible Engineer: JCS
Pg. 1

Cole Hersee Co.
30 Old Colony Ave., South Boston, MA, 02127
Ph: 617-288-2100 Web: www.colehersee.com

Description:
WINDSHIELD WIPER CONTROLLER, DUAL-MOTOR, 24V, SSR

Part No: **75602-02** Current Rev: **M**