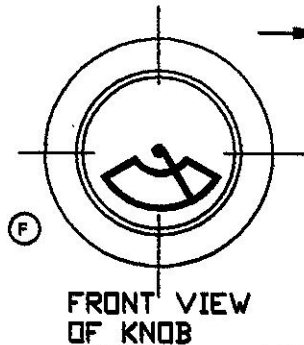
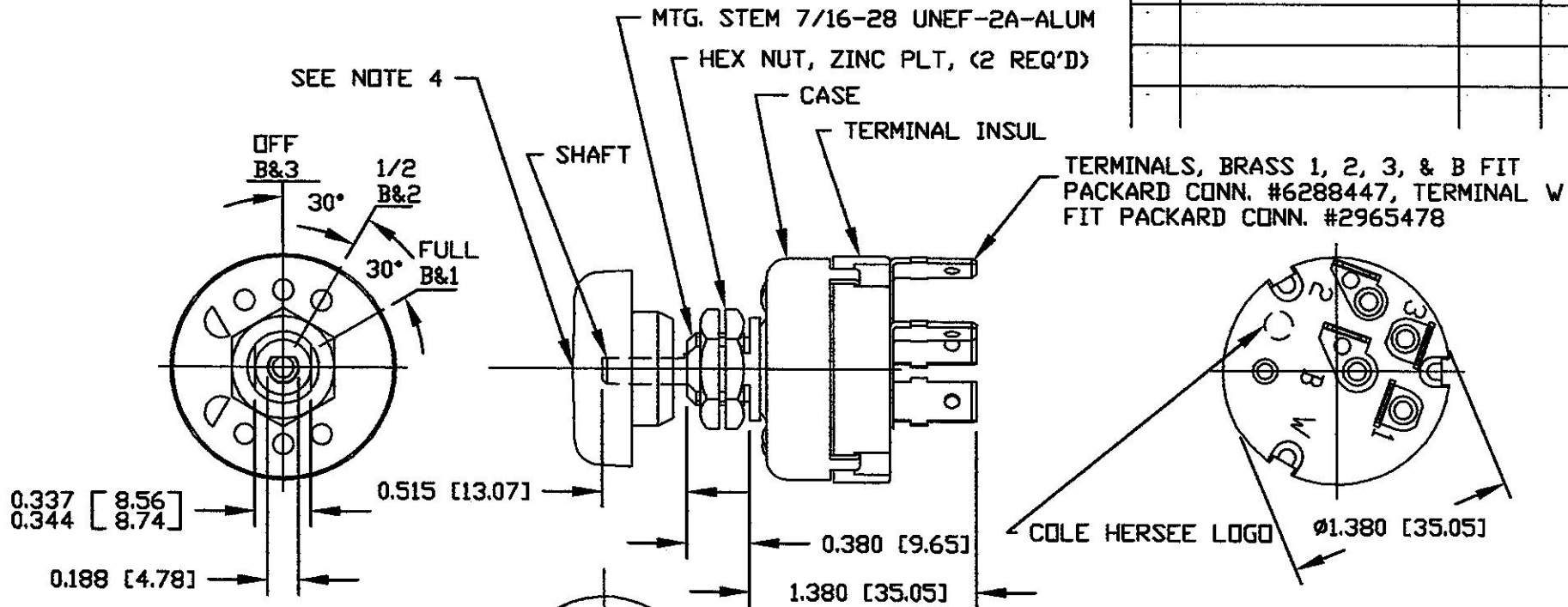


Revision Control Record

Rev.	Description of Change	ECN No.	Date
F	CORRECT MARKING ON KNOB	06031	02/09/06



NOTES:

1. ALL STEEL PARTS PLATED
2. ALL DIMENSIONS REFERENCE ONLY UNLESS NOTED OTHERWISE
3. INTEGRAL CIRCUIT BREAKER 6 AMP - 12 VOLTS
4. KNOB TO BE SHIPPED LOOSE
5. APPLICABLE SAE STANDARD OR RECOMMEND PRACTICE SAE J112A

3	PARK
2	LOW
1	HIGH
B	BATTERY
LEGEND	

Tolerances - Unless otherwise specifically noted, the following are default tolerances:

- * 2-place Decimal Dimensions $\pm .02$ "
- * 3-place Decimal Dimensions $\pm .005$ "
- * Angular Dimensions ± 1.0 Deg.
- * Metric: Refer to equivalent English Dimension Tolerance
- *** NOTE: All tolerances are Non-Cumulative. <<<

Dimensional Units - All dimensions are expressed in inches except those shown in brackets (xxx) are expressed in millimeters

"REF." or an Asterisk (*) = Non-Toleranced Reference Dimension, shown for clarification purposes only.

PROPRIETARY INFORMATION - This Engineering Drawing, and the information contained herein, is proprietary to Cole Hersee Company and may not be disclosed, re-produced, or in any other way transferred or communicated to any other party without the express written consent of an authorized representative of Cole Hersee Company.

DESIGN CONTROL - It is the responsibility of the individual using / referencing this drawing to ensure that the noted design revision level agrees with the revision level of the Controlled Document (Master Drawing). This is a NON-CONTROLLED DOCUMENT unless otherwise specifically noted.

DO NOT SCALE - Dimensional variation may occur during printing / reproduction.

Special Characteristics



Critical Characteristic, relating to Safety and/or Regulatory Compliance



Significant Characteristic relating to Process Control (SPC)



Key Characteristic relating to Form - Fit - Function as defined by Cole Hersee Company and/or the Customer

(Note that the Identification of any Characteristics as being "Special" does not alter the requirement that ALL specified dimensions & tolerances must be met.)



Cole Hersee Co.

20 Old Colony Ave., South Boston, MA, 02127
 Phn: 617-268-2100 Web: www.colehersee.com

Description:

SW, WINDSHIELD WIPER

Drawing / Part No.:

75221-06

Current Rev.:

F

Used On BASIC W/ LONGER SHAFT or Ref.: KNOB & LESS "V" TERM

Scale: **1:1**

Drawn By: **JWH**

Date Drawn: **04/31/75**

Responsible Engineer:

Pg. 1 of 1