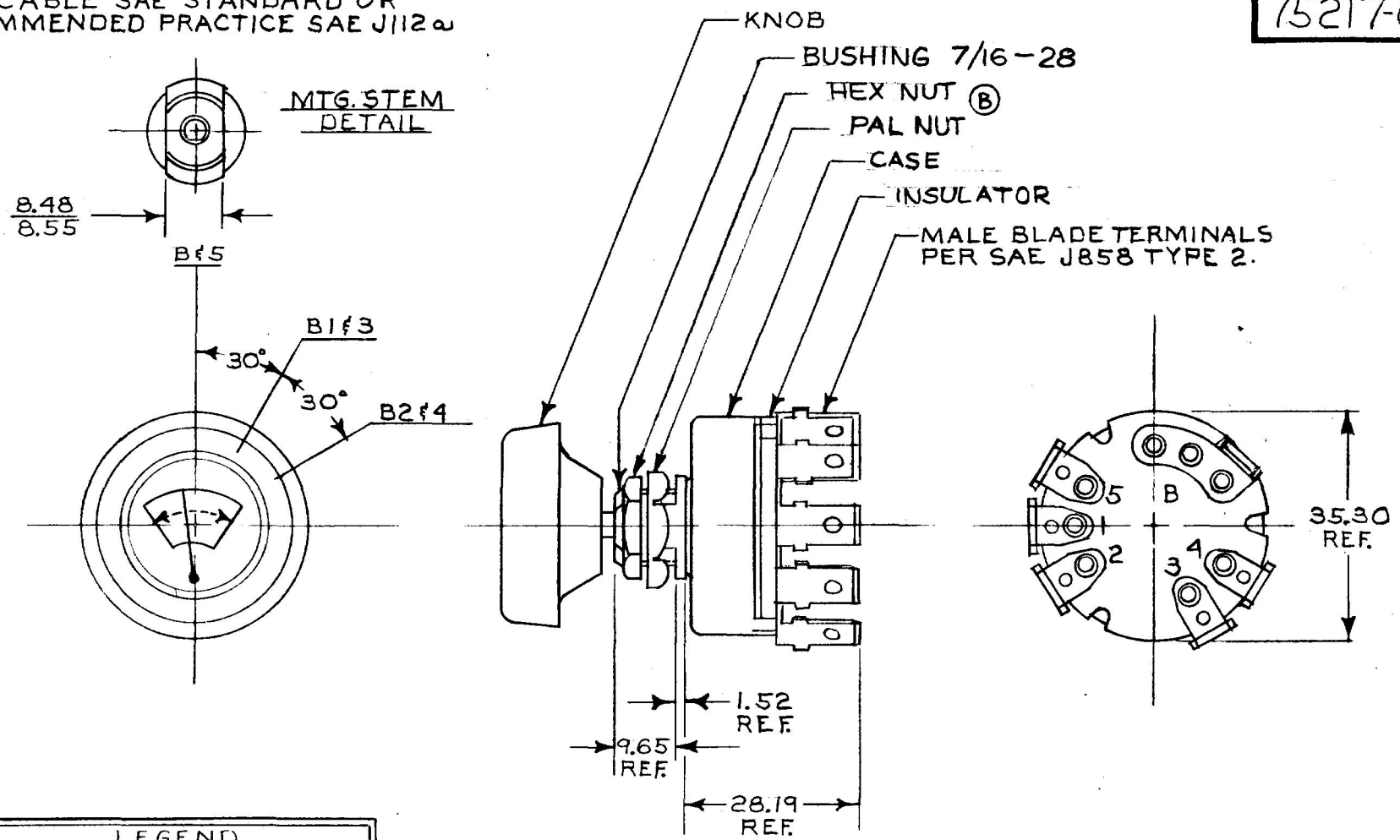


75217-04

MM IN  
 1.52 .06  
 8.48 .334  
 8.55 .337  
 9.65 .380  
 28.19 1.111  
 35.30 1.390

APPLICABLE SAE STANDARD OR  
 RECOMMENDED PRACTICE SAE J112



LEGEND	
B	BATTERY
1	WIPER 1 LOW SPEED
3	WIPER 2 LOW SPEED
2	WIPER 1 HI SPEED
4	WIPER 2 HI SPEED
5	PARK

NOTES:  
 1. ALL STEEL PARTS PLATED  
 2. CURRENT RATING: 10AMP @ 12 VOLT

METRIC

DO NOT SCALE

LET.	WAS	DATE	BY	LET.	WAS	DATE	BY	MATERIAL	DRAWN	CHECKED	APPR'D.	SCALE	DATE DRAWN
								<i>K</i>	EA	<i>EA</i>		1:1	10-2-74
								FINISH	 70 OLD COLONY AVENUE SOUTH BOSTON, MA. U.S.A. 02127				DATE BLUEPRINT
								<i>K</i>					
				B	ECN 233 44	12-12-86	ZU	TOLERANCES	SWITCH, WINDSHIELD WIPER				75217-04
				A	REDRAWN	12-11-89	<i>K</i>	DECIMAL ± METRIC ±					

CH-188(4-78)