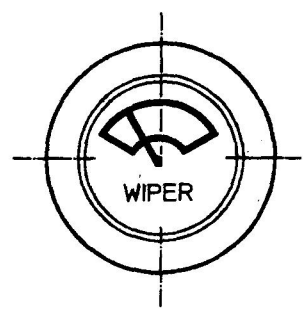
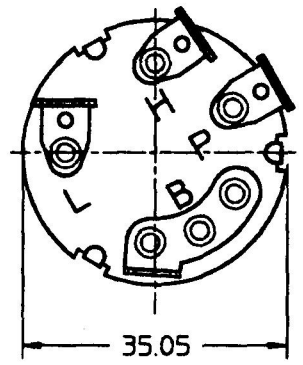
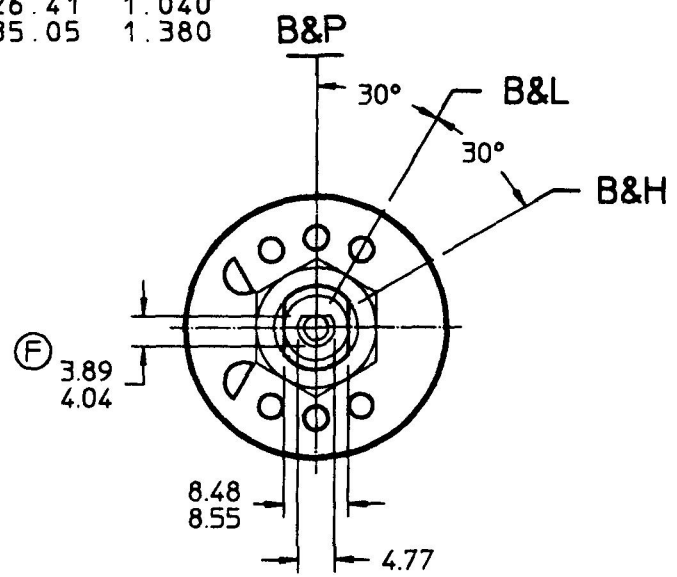
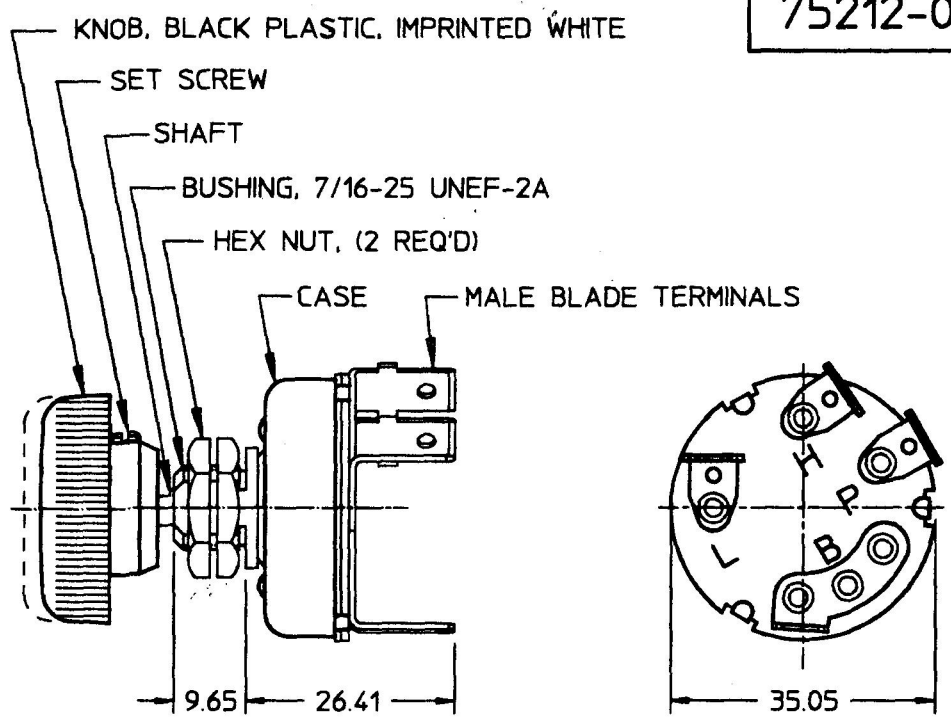


MM	IN
3.89	0.153
4.04	0.159
4.77	0.188
8.48	0.344
8.55	0.337
9.65	0.380
26.41	1.040
35.05	1.380



FRONT VIEW OF KNOB

P	PARK
L	LOW
H	HIGH
B	BATTERY
<b>LEGEND</b>	

- NOTES:
1. COPPER ALLOY CONTACTS.
  2. NUMBER OF POLES-1  
NUMBER OF THROWS-2
  3. SEALING-NONE
  4. ALL STEEL PARTS PLATED
  5. RATING:

	RESISTIVE	INDUCTIVE
12V	10 AMPS	8 AMPS
24V	7 AMPS	5 AMPS

LIFE @ RATED CURRENT

MAKE & BRAKE  
12V - 100,000 MIN  
24V - 50,000 MIN

DO NOT SCALE

METRIC

LET.	WAS	DATE	BY	LET.	WAS	DATE	BY	MATERIAL	DRAWN	CHK	APVD	SCALE	75212-01 WITH 81298-29 KNOB	DATE DRAWN
									BW	AP		1:1		9/10/74
								FINISH	<b>Cole Hersee Co.</b> 20 OLD COLONY AVENUE, BOSTON, MA., U.S.A., 02127					DATE BLUEPRINTED
				F	ECN # 25936	8/16/95	MB	TOLERANCES DECIMAL ± 0.25 ANGLE ±						
				E	PUT ON CAD	10/4/94	MB		<b>SW, WINDSHIELD WIPER</b>					<b>75212-04</b>